

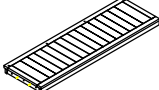
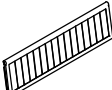





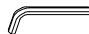





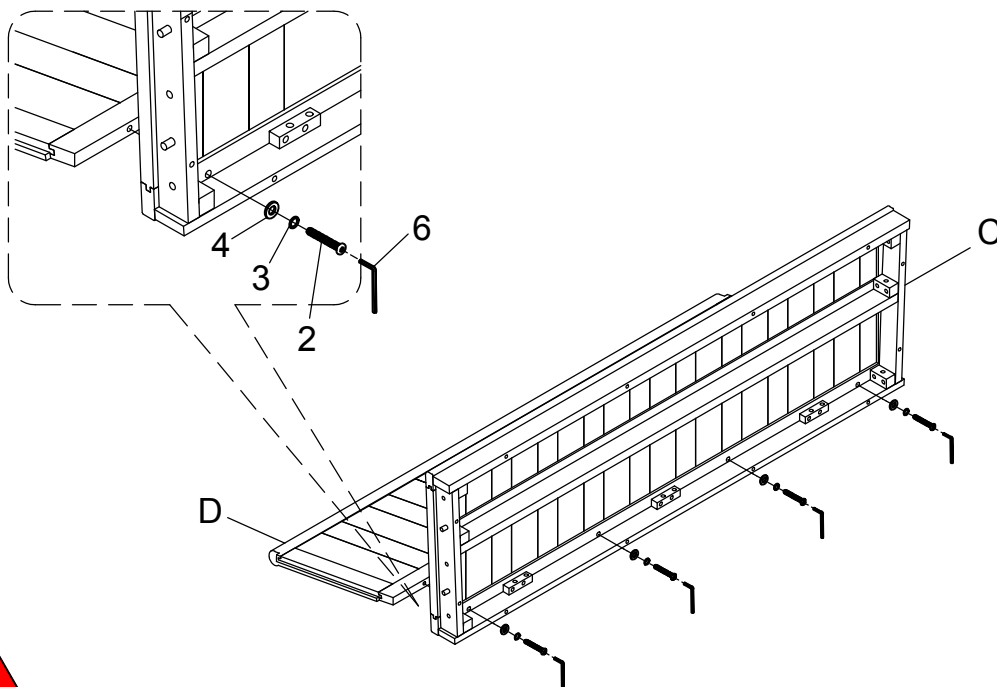
Assembly Instruction

ITEM: #5799-14A BENCH

NO.	PARTS LIST		Q'TY
A		LEFT HANDRAILS	1PC
B		RIGHT HANDRAILS	1PC
C		SEAT	1PC
D		BACKREST	1PC

HARDWARE LIST			
NO.	DESCRIPTION	DRAWING	Q'TY
1	BOLT 1/4" x 50mm		2PCS
2	BOLT 1/4" x 38mm		10PCS
3	LOCK WASHER 1/4"		12PCS
4	FLAT WASHER 1/4"x19mm		10PCS
5	FLAT WASHER 1/4"x14mm		2PCS
6	ALLEN KEY M4		1PC
7	WOODEN CAP 18x15x10mm		2PCS

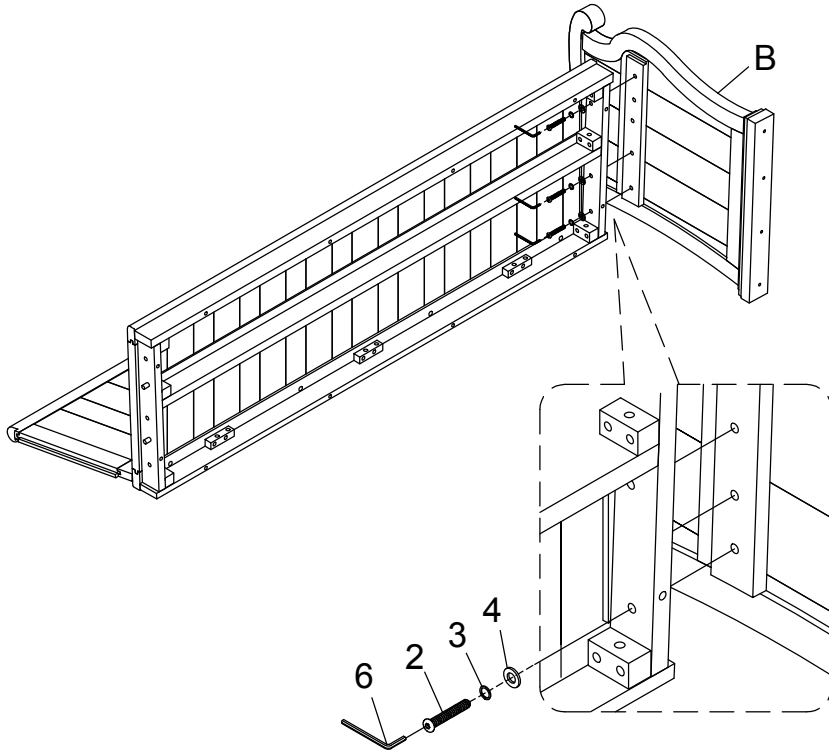
STEP 1



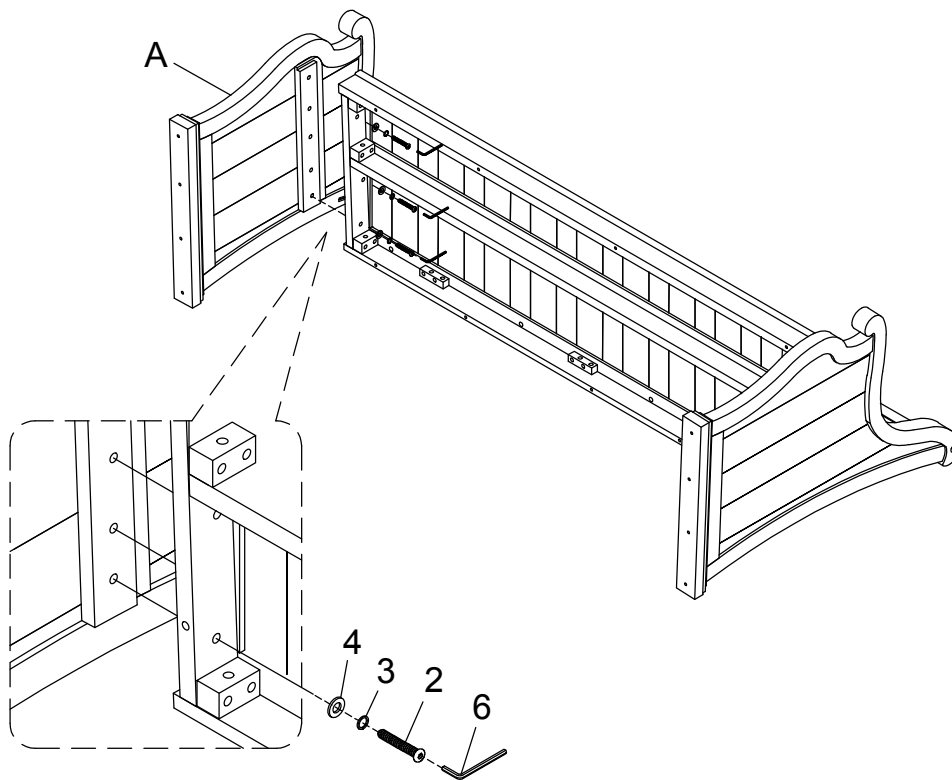
For items use on wooden floor, hard surfaces or carpets, it is recommended to install protective pads under all legs and supports to avoid/prevent from damages/scratches and discoloration.

MADE IN VIETNAM

STEP 2

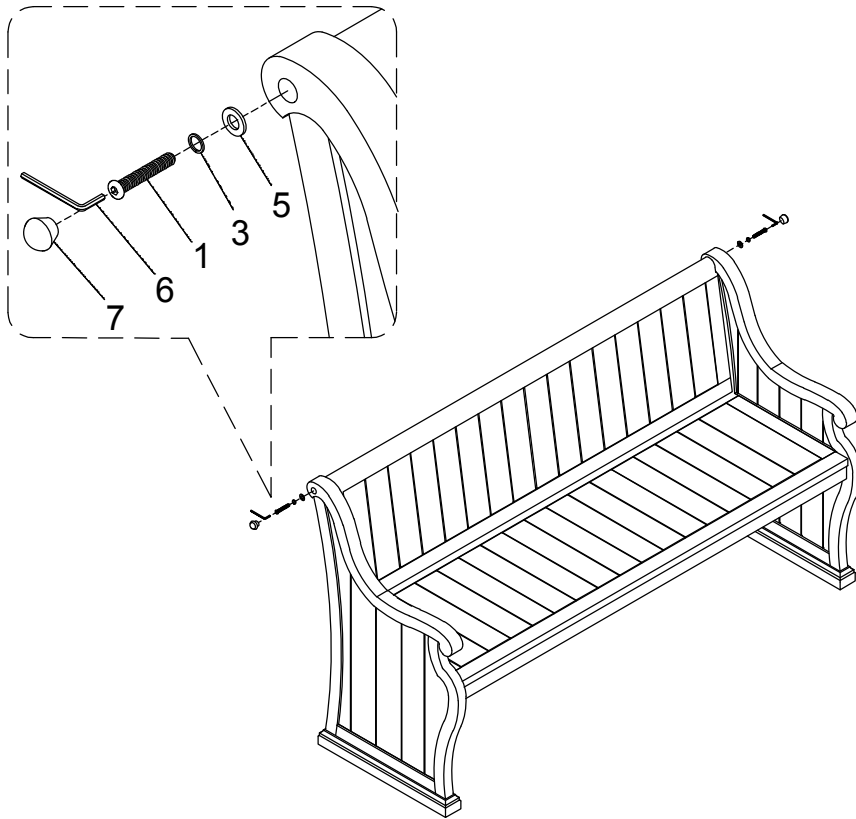


STEP 3

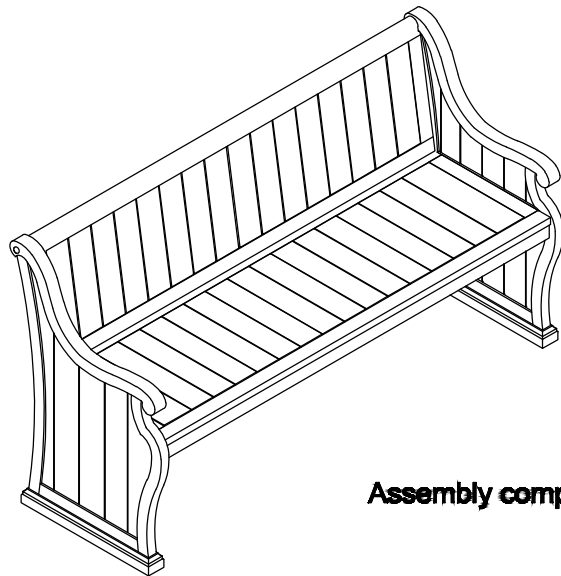


MADE IN VIETNAM

STEP 4



STEP 5



Assembly completed

MADE IN VIETNAM