



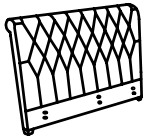
# ASSEMBLY INSTRUCTION

HOME ELEGANCE

5789BK-1 QUEEN HEADBOARD/FOOTBOARD

5789BK-3 QUEEN RAILS & SLATS

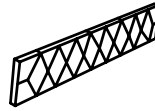
PART LIST: ( NOTE:HARDWARE PACK INSIDE THE CARTON OF 5789BK-3 )



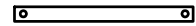
A:Headboard  
1PC



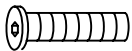
B:Rail  
2PCS



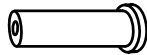
C:Footboard  
1PC



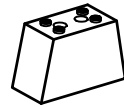
D:Slat  
3PCS



E:Bolt M8\*30mm  
12PCS



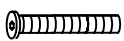
F:Support Leg  
3PCS



G:Leg  
4PCS



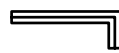
H:Middle Support Rail  
1PC



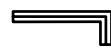
I:Bolt 1/4\*48mm  
6PCS



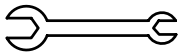
J:Nut 1/4  
6PCS



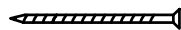
K:Allen Key 5mm  
1PC



L:Allen Key 4mm  
1PC



M:Wrench 1/4\*35mm  
1PC



N:Screw  $\varnothing$ 4.0\*60mm  
8PCS



O:Lock Washer  
8PCS



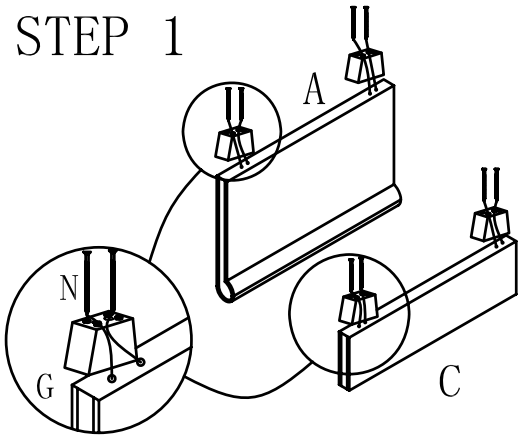
P:Flat Washer  
8PCS



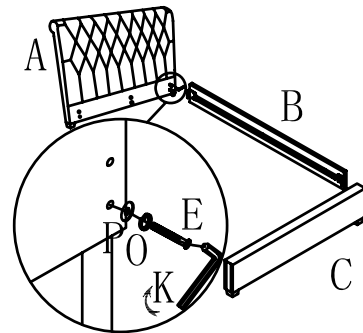
Q:Bolt 1/4\*15mm  
3PCS

NOTE: PLEASE DO NOT TIGHTEN ALL BOLTS UNTIL THE BED IS ASSEMBLED COMPLETELY.

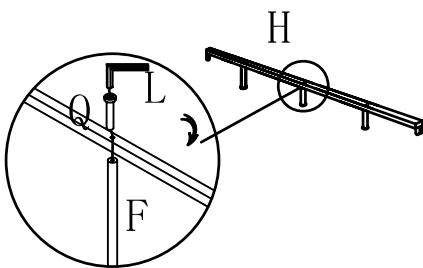
STEP 1



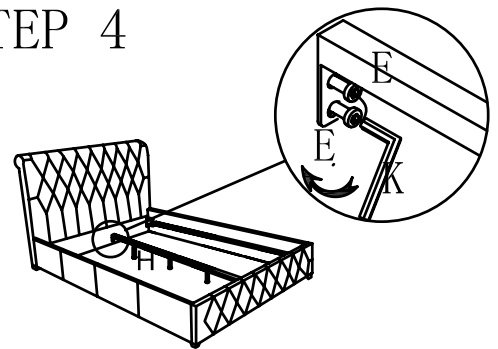
STEP 2



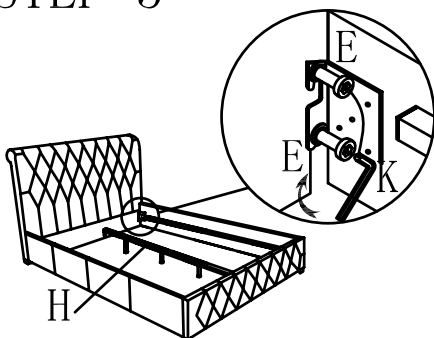
STEP 3



STEP 4



STEP 5



STEP 6

