



HOMELEGANCE

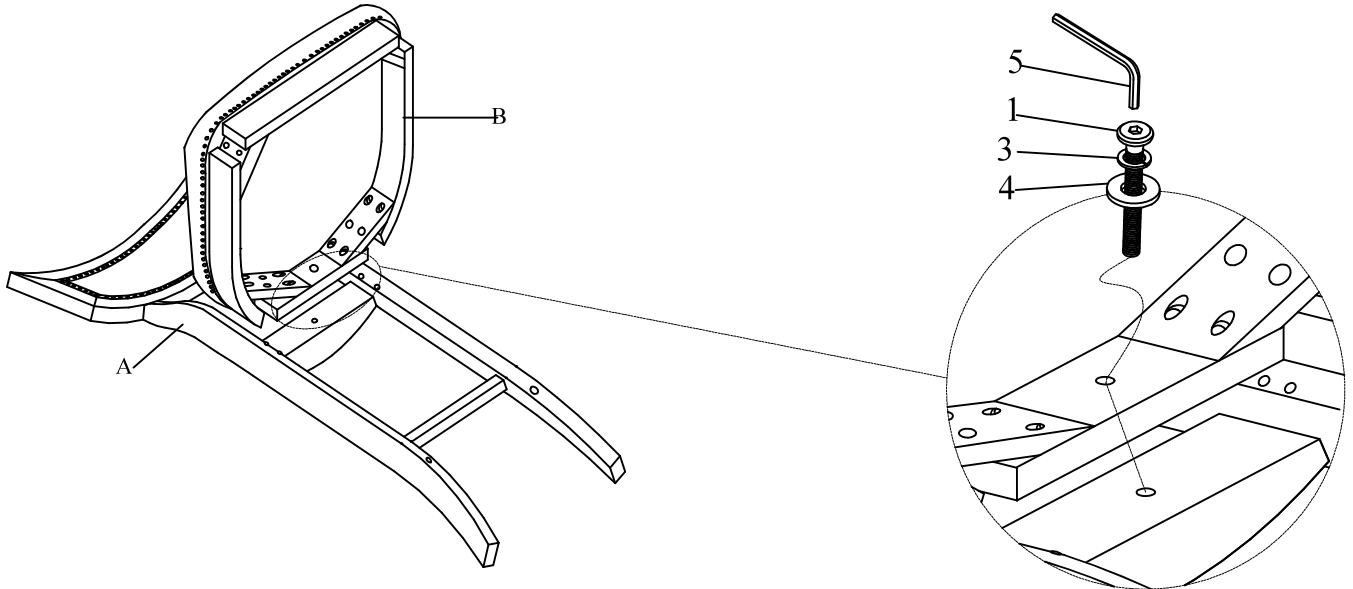
ASSEMBLY INSTRUCTION

ITEM NO:5655-24FA COUNTER HEIGHT CHAIR, FABRIC

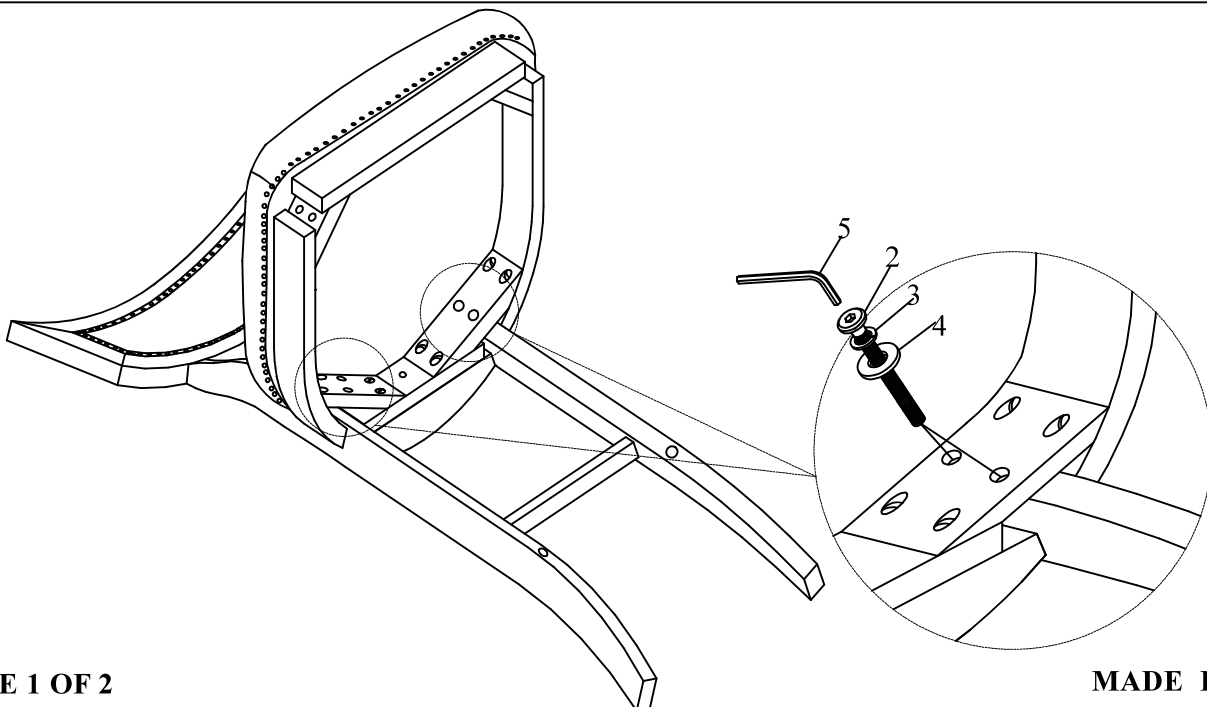
Thank you for purchasing this quality product. Be sure to check all packing material carefully for small parts that may have come loose inside the carton during shipment.

PART LISTS				HARDWARE LISTS				
NO.	Description	Sketch	Q'ty	NO.	Description	Sketch	Size	Q'ty
A	CHAIR BACK		1PC	1	SHORT BOLT		1/4"-20 x 1 3/4"	1PC
B	SEAT CUSHION WITH FRAME		1PC	2	LONG BOLT		1/4" -20 x 2 1/2"	8PCS
C	LSF/RSF FRONT LEG		2PCS	3	SPRING WASHER		1/4"ID x 3/8"OD x 1/16"TK	9PCS
D	FRONT STRETCHER		1PC	4	FLAT WASHER		1/4"ID x 3/4"OD x 1/16"TK	9PCS
E	LSF/RSF SIDE STRETCHER		2PCS	5	ALLEN KEY		1/6"	1PC
				6	WOOD SCREW		5/16" - 8 x 1 3/4"	6PCS

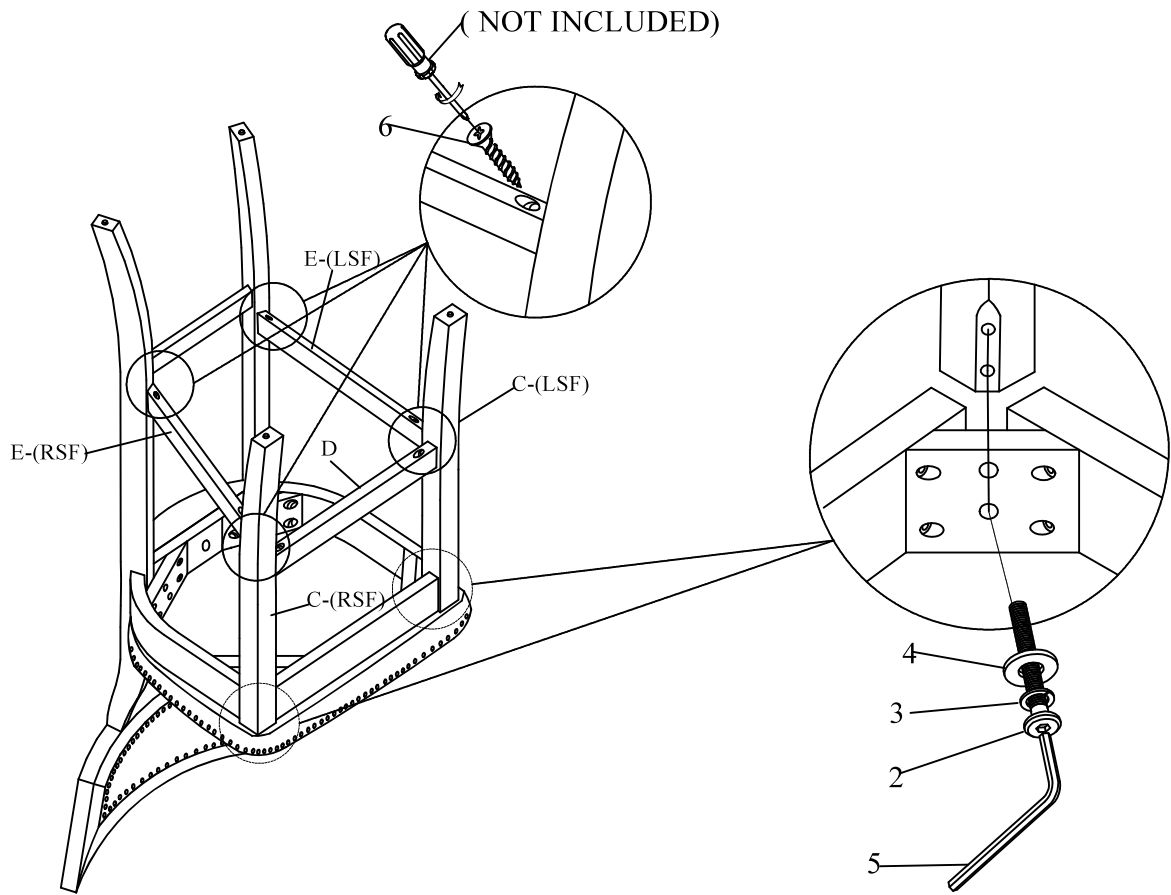
STEP 1



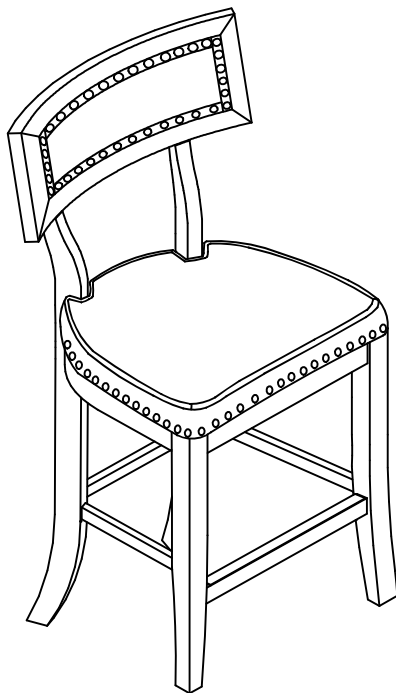
STEP 2



STEP 3



COMPLETED



DO NOT TIGHTEN BOLTS UNTIL COMPLETELY ASSEMBLED.



It is recommended to install protective pads under all legs and supports to avoid damage or scratches when placing furniture on a wood floor or other hard surface, and to limit indentation and prevent discoloration if placing on carpet.