



HOMELEGANCE

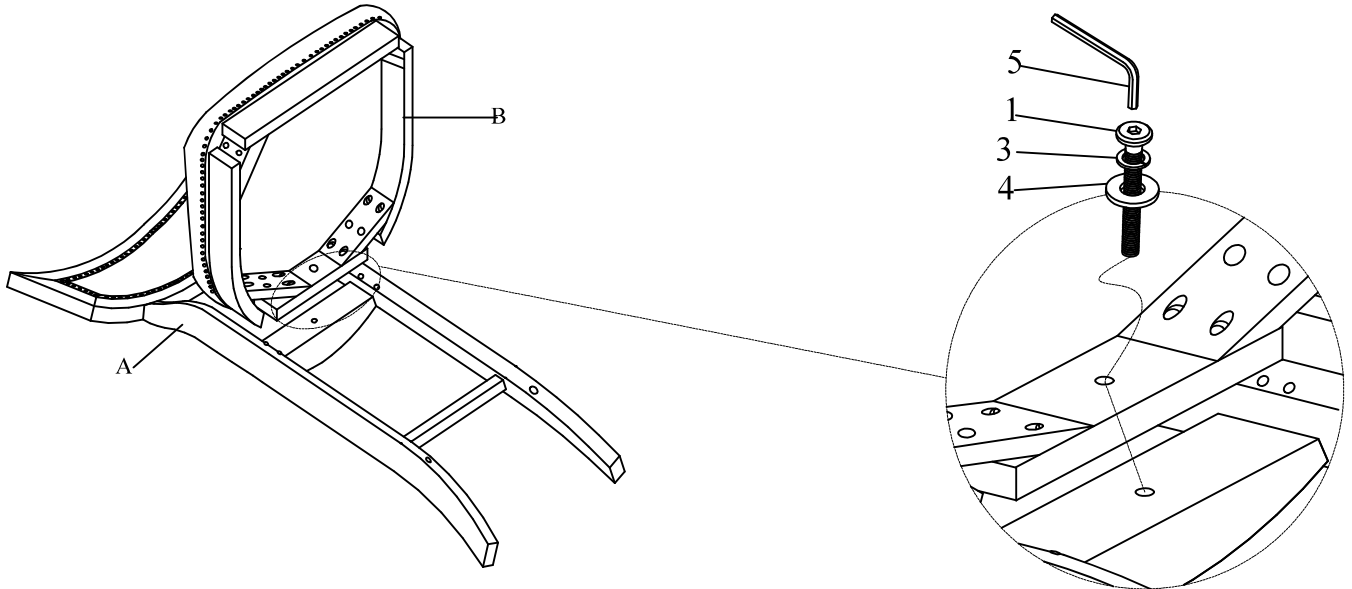
ASSEMBLY INSTRUCTION

ITEM NO:5655-24 COUNTER HEIGHT CHAIR

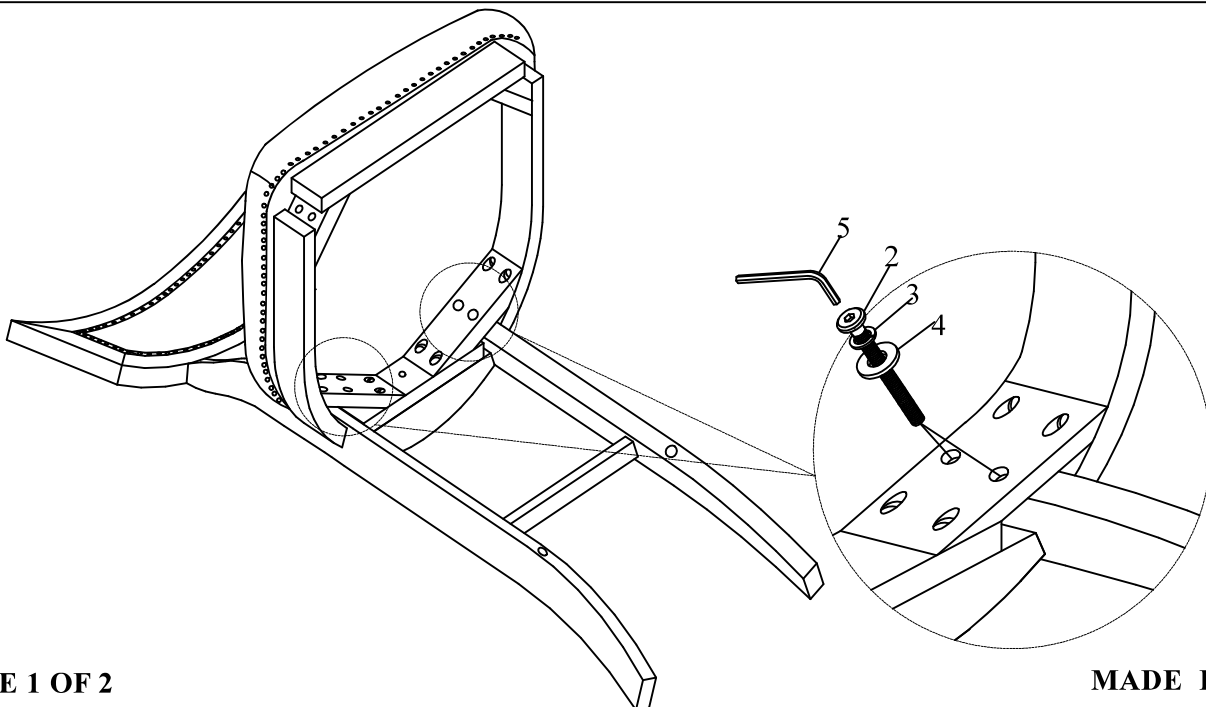
Thank you for purchasing this quality product. Be sure to check all packing material carefully for small parts that may have come loose inside the carton during shipment.

| PART LISTS | | | | HARDWARE LISTS | | | | |
|------------|-------------------------|--------|------|----------------|---------------|--------|-------------------|------|
| NO. | Description | Sketch | Q'ty | NO. | Description | Sketch | Size | Q'ty |
| A | CHAIR BACK | | 1PC | 1 | SHORT BOLT | | Ø1/4"*45mm | 1PC |
| B | SEAT CUSHION WITH FRAME | | 1PC | 2 | LONG BOLT | | Ø1/4" * 63.5mm | 8PCS |
| C | LFS/RSF FRONT LEG | | 2PCS | 3 | SPRING WASHER | | Ø1/4" * 10D*1.1mm | 9PCS |
| D | FRONT STRETCHER | | 1PC | 4 | FLAT WASHER | | Ø1/4" * 19D * 2mm | 9PCS |
| E | LSF/RSF SIDE STRETCHER | | 2PCS | 5 | ALLEN KEY | | 4mm | 1PC |
| | | | | 6 | WOOD SCREW | | Ø8 x 45mm | 6PCS |

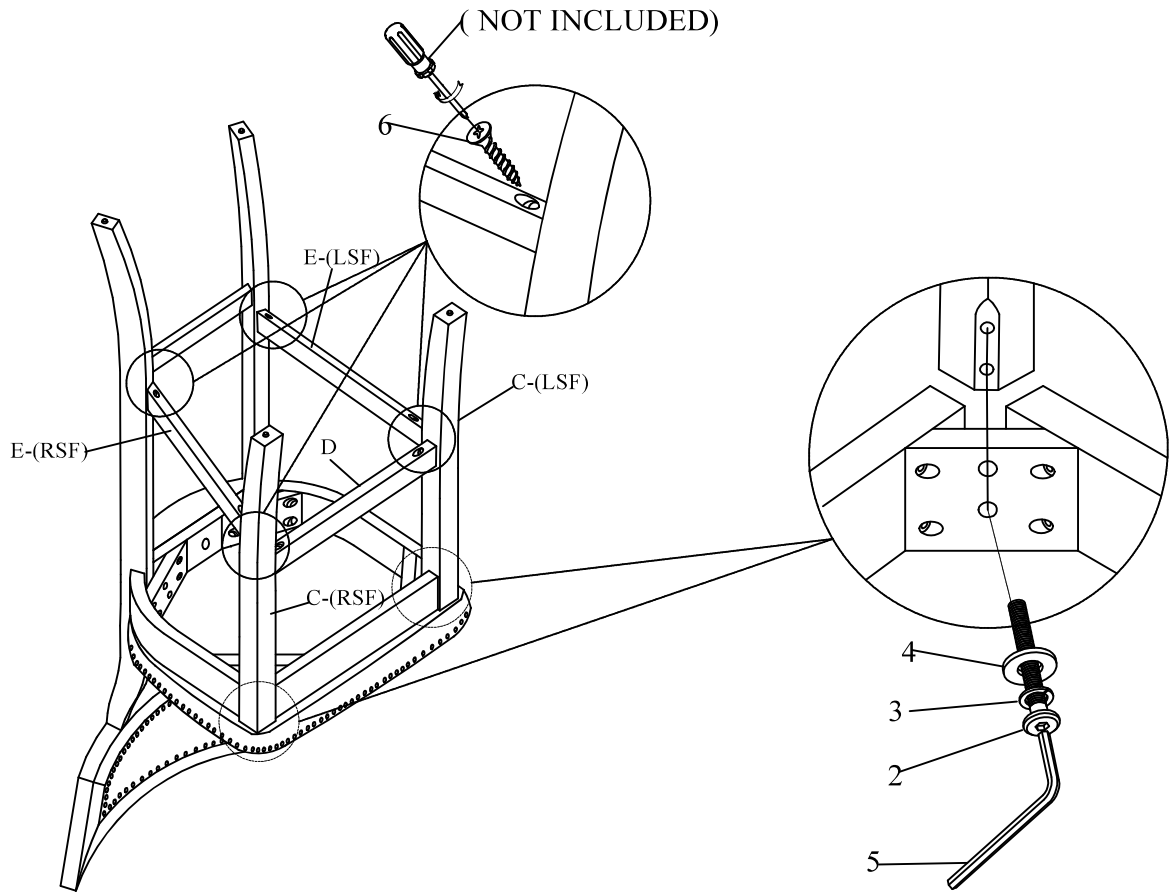
STEP 1



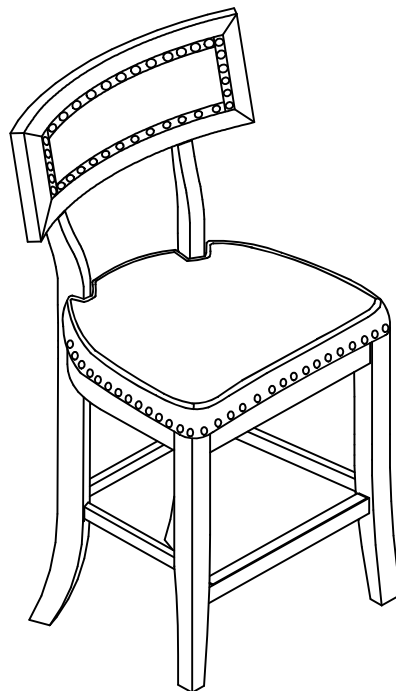
STEP 2



STEP 3



COMPLETED



DO NOT TIGHTEN BOLTS UNTIL COMPLETELY ASSEMBLED.



It is recommended to install protective pads under all legs and supports to avoid damage or scratches when placing furniture on a wood floor or other hard surface, and to limit indentation and prevent discoloration if placing on carpet.