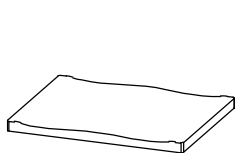


# ASSEMBLY INSTRUCTION

## 5592 5PC PACK DINETTE(3A)

### PART LIST:



A:Chair Seat  
4 PCS



B:Chair Leg  
8 PCS



C:Chair Support Bar  
4 PCS





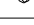
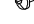

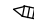


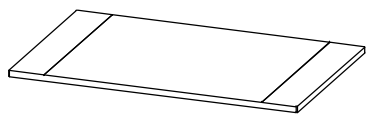
D:Chair Upper  
Cross Bar  
8 PCS



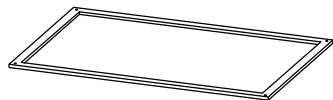
E:Chair Lower  
Cross Bar  
4 PCS

### HARDWARE LIST

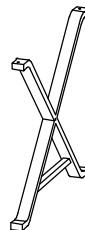
K		Bolt	M6x12MM	10PCS
L		Bolt	M6x25MM	4PCS
M		Bolt	M6x35MM	1 PC
N		Bolt	M6x45MM	24PCS
O		Bolt	M6x50MM	4PCS
P		Bolt	M6x70MM	2PCS
Q		Screw	M5x27MM	16PCS
R		L-Allen Key	4MM	1 PC



F:Table Top  
1 PC



G:Table Frame  
1 PC



H:Table Leg  
2 PCS



I:Table Support Bar  
1 PC



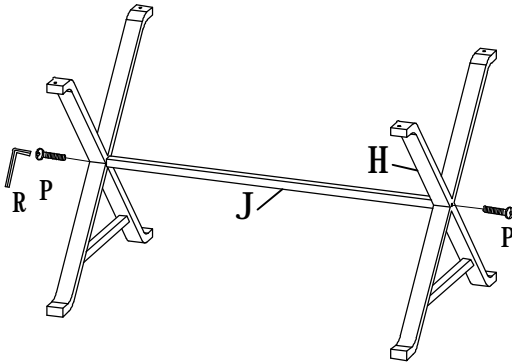
J:Table Cross Bar  
1 PC

# ASSEMBLY INSTRUCTION

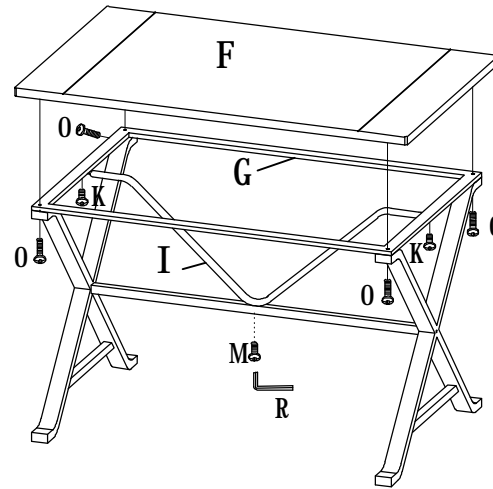
## 5592 5PC PACK DINETTE(3A)

### TABLE:

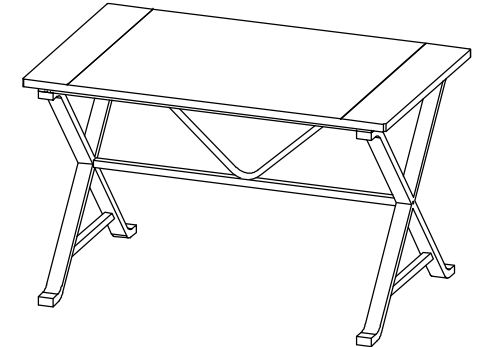
#### STEP 1



#### STEP 2

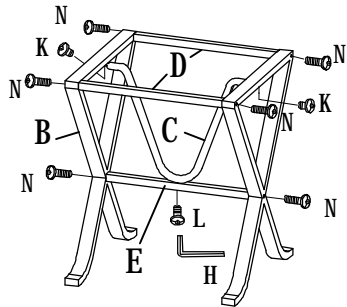


#### COMPLETED

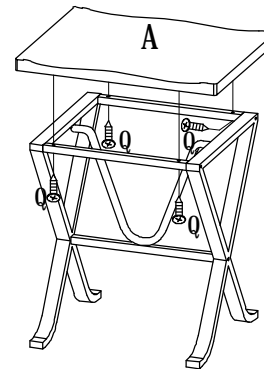


### CHAIR:

#### STEP 1




#### STEP 2



#### COMPLETED



 For items use on wooden floor,hard surfaces or carpets,it is recommended to Install protective pads under all legs and supports to avoid/prevent from damages/scratches and discoloration.