



HOMELEGANCE

ASSEMBLY INSTRUCTION

5492S SIDE CHAIR

Thank you for purchasing this product. Please take time to read and follow the instructions below. Check that you have all parts and hardware before assembly. Parts apparently missing are often found in the packing materials. If you do not have all the parts listed, have your dealer contact us and they will be sent to you immediately.



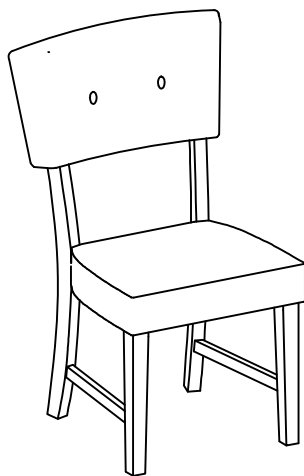
It is recommended to install protective pads under all legs and supports to avoid damage or scratches when placing furniture on a wood floor or other hard surface, and to limit indentation and prevent discoloration if placing on carpet.



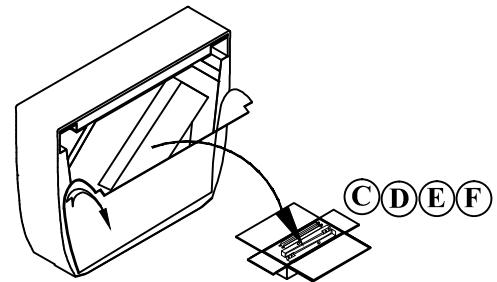
Do not tighten bolts until completely assembled.

PART LIST			
A		CHAIR BACK	1PC
B		SEAT FRAME WITH CUSHION	1PC
C		LSF FRONT LEG	1PC
D		RSF FRONT LEG	1PC
E		LSF SIDE STRETCHER	1PC
F		RSF SIDE STRETCHER	1PC

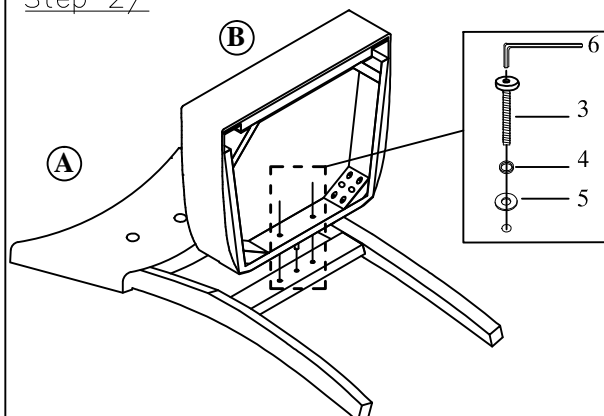
HARDWARE LIST			
1		BOLT 5/16"-18x3"	4PCS
2		BOLT 5/16"-18x2"	4PCS
3		BOLT 5/16"-18x1-1/2"	2PCS
4		SPRING WASHER 5/16"x11/32"x11/16"x1/16"	10PCS
5		FLAT WASHER 5/16"x21/61"x3/4"x5/64"	10PCS
6		ALLEN KEY 1"x2-1/3"	1PC
7		WOODEN SCREW 1/6"-11x1-1/2"	4PCS



Step 1/



Step 2/



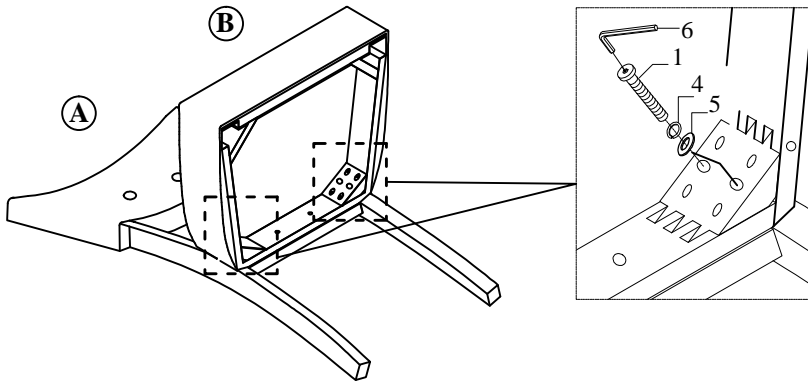


HOMELEGANCE

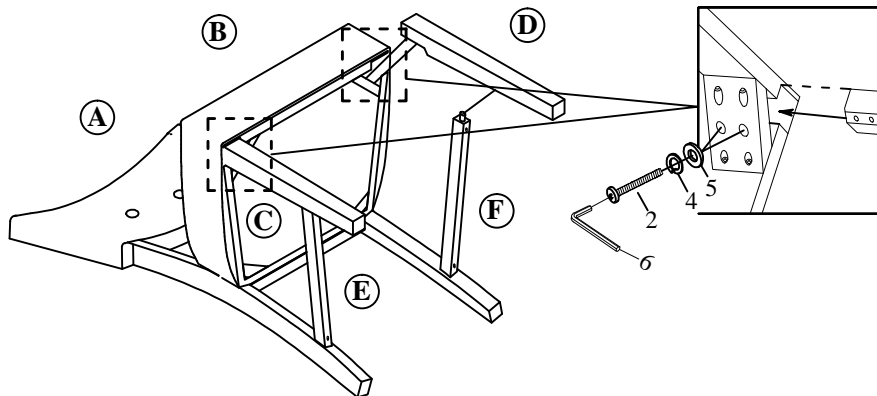
ASSEMBLY INSTRUCTION

5492S SIDE CHAIR

Step 3/



Step 4/



Step 5/

