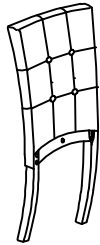


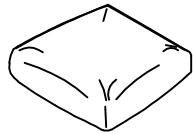
ASSEMBLY INSTRUCTION

5285S SIDE CHAIR

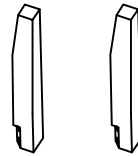
PART LIST:



Back 1pc



Seat Cushion
1pc

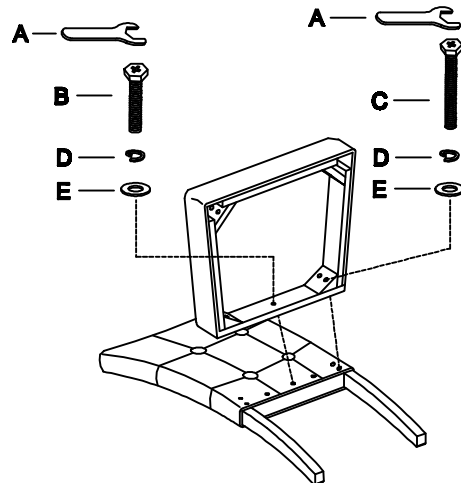


Front leg
2pcs

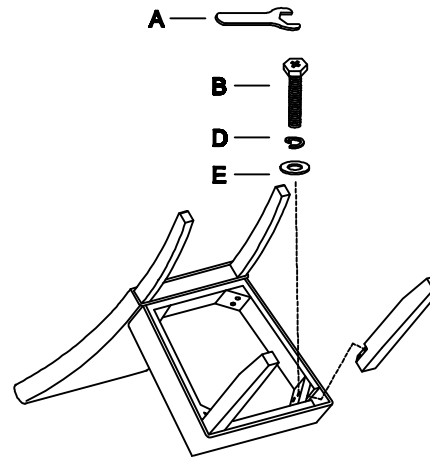
HARDWARE LIST

A		Allen Wrench	12mm 1 PC
B		Bolt	Ø5/16"x2" 5 PCS
C		Bolt	Ø5/16"x3-1/4" 4 PCS
D		Spring Washer	Ø5/16" 9 PCS
E		Flat Washer	Ø5/16"xØ23mm 9 PCS

STEP 1



STEP 2



COMPLETED

