



HOMEELEGANCE

# ASSEMBLY INSTRUCTION

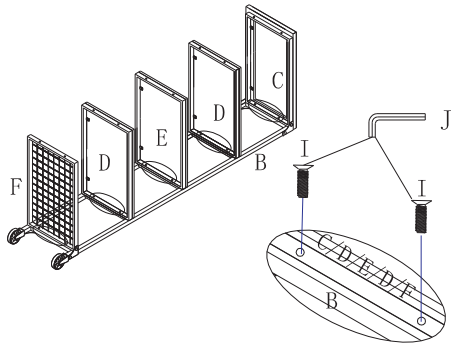
## 5099-16 BOOKSHELF (3A)

### PART LIST

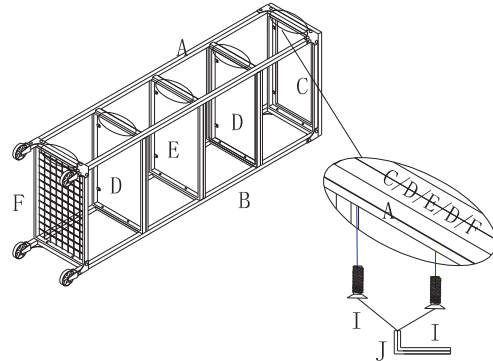
<b>A</b>		<b>B</b>		<b>C</b>		<b>D</b>		<b>E</b>		<b>F</b>		<b>G</b>	
	Left Side Frame		Right Side Frame		Top Panel		First and Third Shelves		Second Shelf		Bottom Shelf		Cross bar
	1PC		1PC		1PC		2PCS		1PC		1PC		2PCS

HARDARE LIST				
H		Bolt with Lock Washer and Flat Washer	1/4"X15mm	5pcs
I		Flat Head Bolt	1/4"X25mm	20pcs
J		L-Allen Key	4mm	1pc
K		Furniture Tipping Restraint		1pc

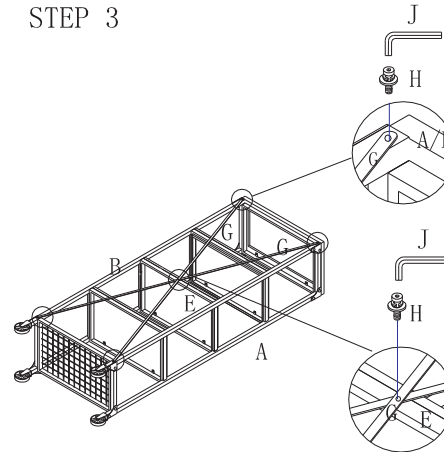
#### STEP 1



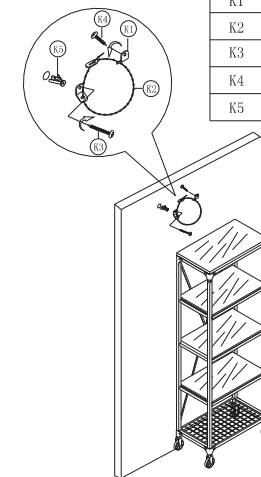
#### STEP 2



#### STEP 3



#### STEP 4



ANTI-TIPPING HARDWARE PACK			
K1	Bracket/Equerre		2PCS
K2	Tie wrap		1PC
K3	Long Screw		1PC
K4	Short Screw		1PC
K5	Corner pad		1PC

- (1) Place the right side frame on a smooth and even surface, attach all the shelves to the side frame and insert the bolts, do not fully tighten it.
- (2) Attach left side frame to the assembled right side frame, insert the bolts, do not fully tighten it.
- (3) Face down the assembled bookshelf, attach the cross bars to the rear of the unit, insert bolts and washers, tighten all the bolts with Allen Key.
- (4) Upright the bookshelf and adjust the bookshelf position against the wall, install the anti-tipping restraint to the unit.