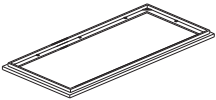
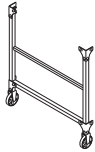

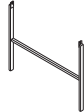
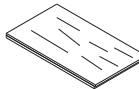







ASSEMBLY INSTRUCTION

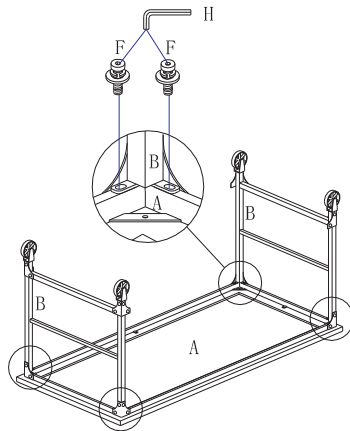
5099-15 WRITING DESK (3A)

PART LIST

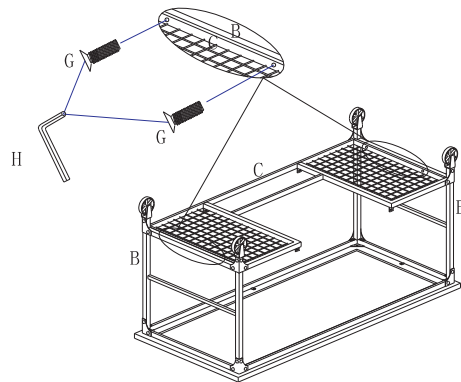
A	B	C	D	E
				
Desk Top	Leg Frame	Bottom Panel	Center Support Frame	Shelves
1PC	2PCS	1PC	2PCS	2PCS

HARDARE LIST				
F		Bolt with Lock Washer and Flat Washer	1/4"X15mm	16pcs
G		Flat Head Bolt	1/4"X25mm	12pcs
H		L-Allen Key	4mm	1pc

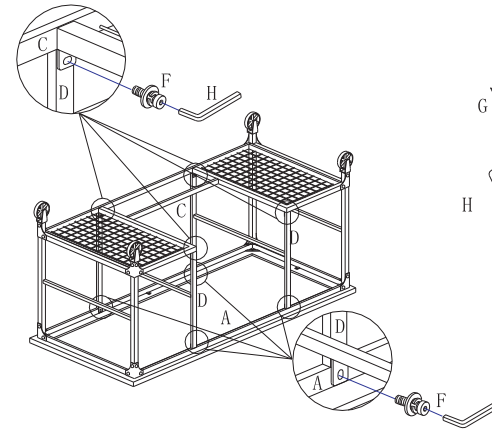
STEP 1



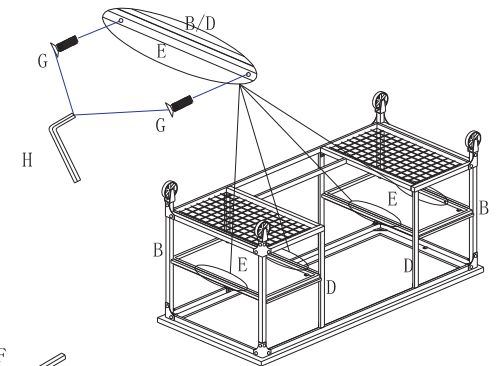
STEP 2



STEP 3



STEP 4



- (1) Place and face down desk top on a smooth and even surface, attach leg frames to the desk top then insert bolts and washers, do not fully tighten it.
- (2) Attach bottom panel to the desk frame, insert bolts and washers, do not fully tighten it.
- (3) Attach center support frames to the desk frame, insert bolts and washers, do not fully tighten it.
- (4) Attach shelves to the desk frame, insert bolts and washers, tighten all the bolts and washers for entire desk. Upright the desk, check and make sure the table is stable and even on the floor.