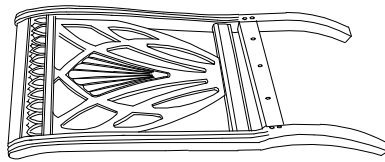




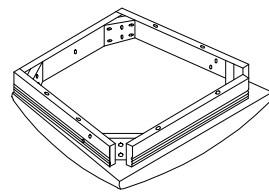
HOMEELEGANCE

ASSEMBLY INSTRUCTION 5055A ARM CHAIR

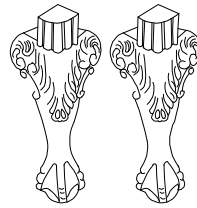
PART LIST :



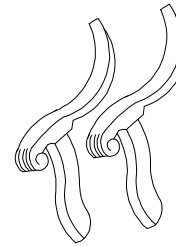
Chair Back
1pc



Seat Cushion
1pc



Front Leg
2pcs

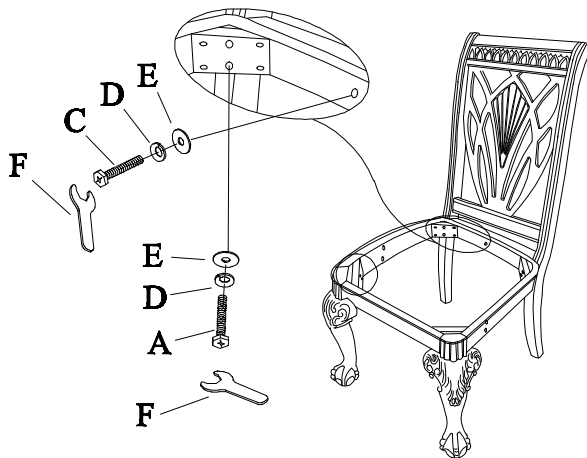


Arm
2pcs

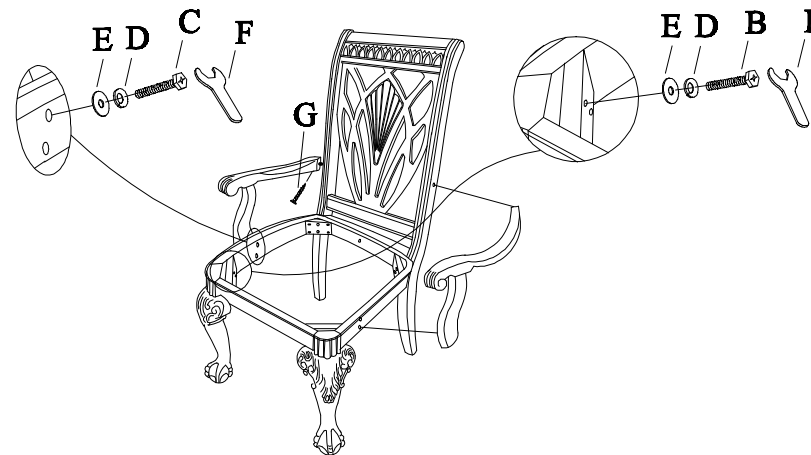
HARDWARE LIST

A		Bolt	5/16"*3"	4PCS
B		Bolt	5/16"*2-1/2"	4PCS
C		Bolt	5/16"*1-1/2"	5PCS
D		Spring Washer	5/16"	13PCS
E		Flat Washer	5/16"(Ø19)*1.5	13PCS
F		Wrench	12mm	1PC
G		Screw	Ø8mm*1-1/4"	2PCS

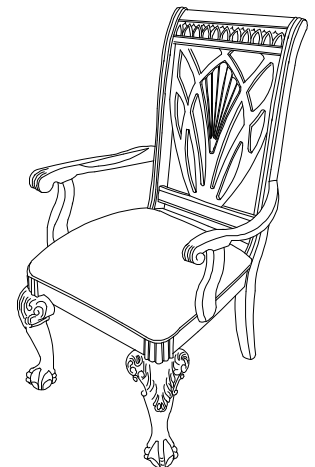
STEP 1



STEP 2



COMPLETED



- (1) Align the seat to the chair back ,insert the bolt and washer to pre-drilled holes and tighten it .
- (2) Attach the leg and arm to seat ,insert the nut and washer and screw then tighten it .