

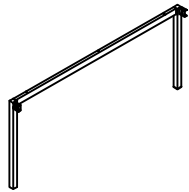


HOMELEGANCE

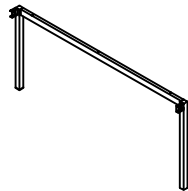
# ASSEMBLY INSTRUCTION

## 5038-48 DINING TABLE

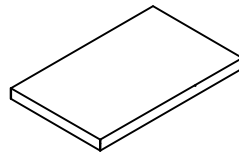
### PART LIST:



A:Left Table Leg Frame  
1PC



B :Right Table Leg Frame  
1PC



C :Table Top  
1PC

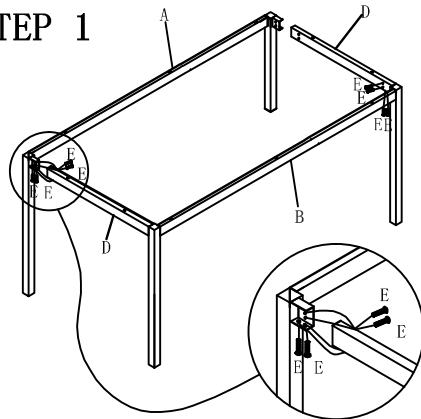


D :Table Apron  
2PCS

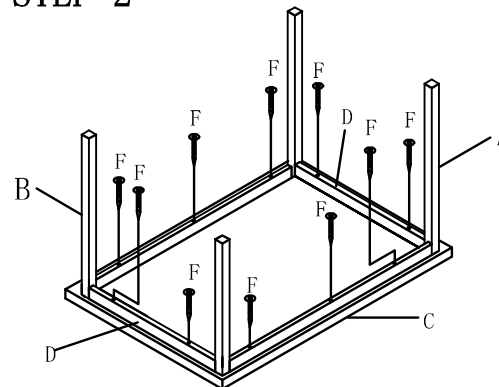
### HARDWARE LIST

HARDWARE LIST				
E		Pan Head Bolt	1/4"*16mm	16pcs
F		Wood Screw	M5*70mm	10pcs
G		L-Allen Key	4mm	1pc

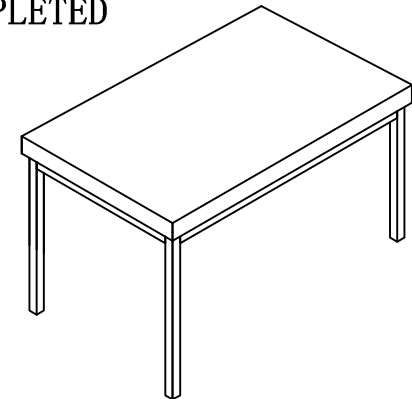
### STEP 1



### STEP 2



### COMPLETED



- (1) Align the left(A) and right(B) table leg frame to the apron(D), insert bolts(E) and tighten with L-Allen Key(G).
- (2) Place the table top (C) on a smooth and stable capered or padded surface, attach the assembled table leg frame to the top and tighten with screws(F).