



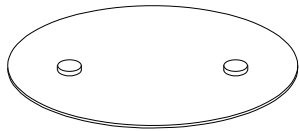
# ASSEMBLY INSTRUCTION

3707-31

3 PCS OCCASIONAL SET

## HOMELEGANCE

### PART LIST:



A:Cocktail Table Top  
1PC



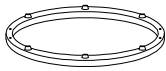
B:Cocktail Table Leg B  
1PC



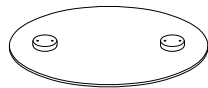
C:Cocktail Table Leg C  
1PC



D:Cocktail Table Leg D  
1PC



E:Cocktail Table Base  
1PC



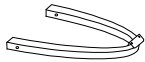
F:End Table Top  
2PCS



G:End Table Leg G  
2PCS



H:End Table Leg H  
2PCS



I:End Table Leg I  
2PCS



J:End Table Base  
2PCS

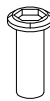
### HARDWARE SET:



K:Bolt  
1/4"\*12mm  
X 36PCS



L:Bolt  
1/4"\*30mm  
X 12PCS



M:Butt Nut  
1/4"\*15mm  
X 24PCS



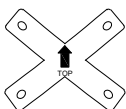
N:Wash  
4mm  
X 24PCS



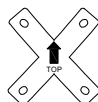
O:Spring Wash  
4mm  
X 24PCS



P:Allen Key  
4mm  
X 2PCS



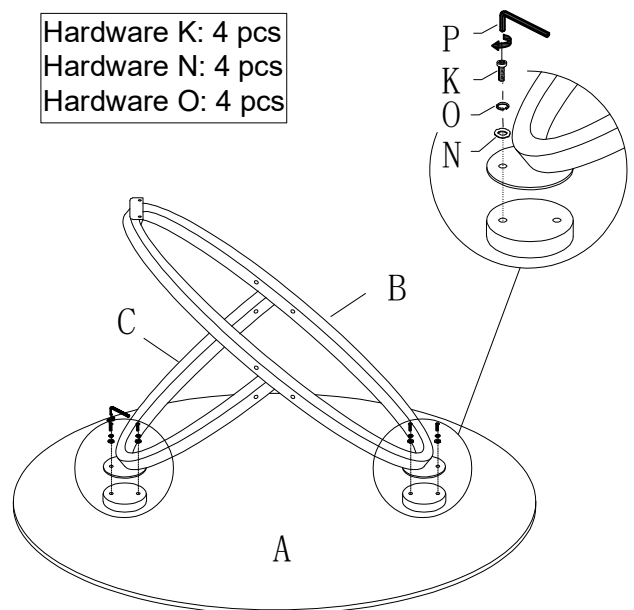
Q:Cocktail Table Metal Bracket  
X 2PCS



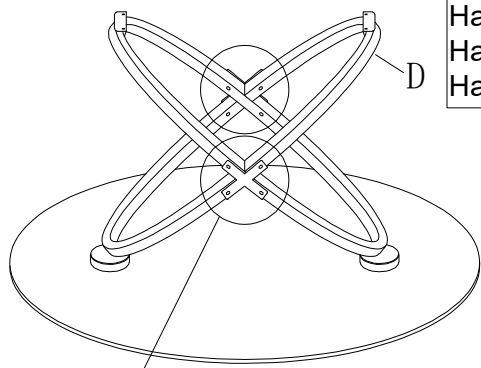
R:End Table Metal Bracket  
X 4PCS

### STEP 1

Hardware K: 4 pcs  
Hardware N: 4 pcs  
Hardware O: 4 pcs

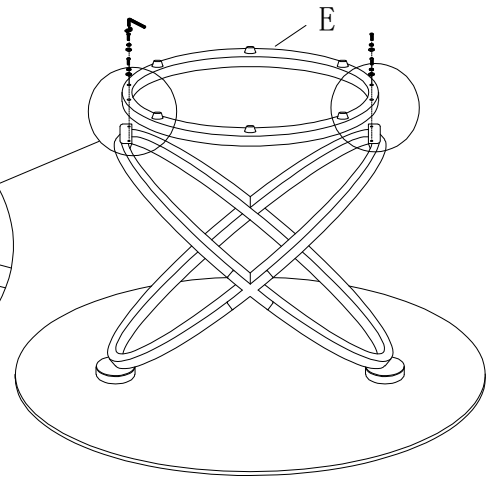
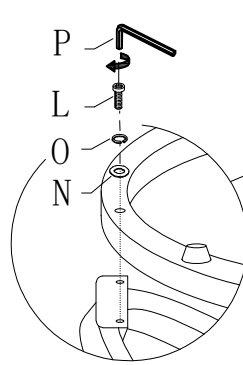


### STEP 2

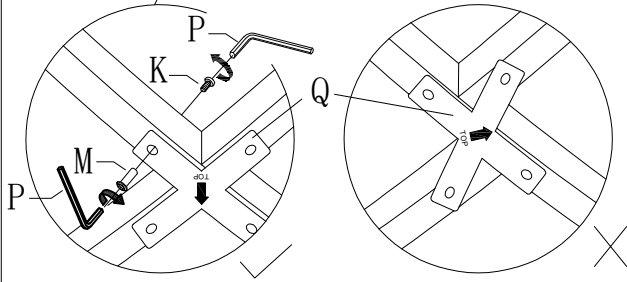


Hardware K: 8 pcs  
Hardware M: 8 pcs  
Hardware Q: 2 pcs

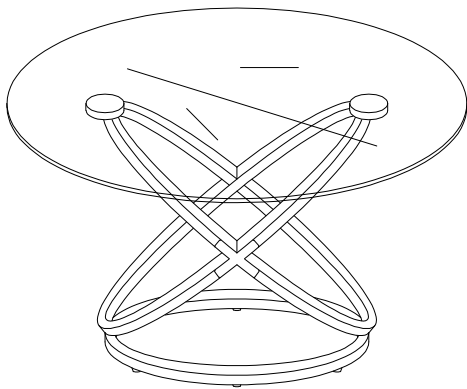
### STEP 3



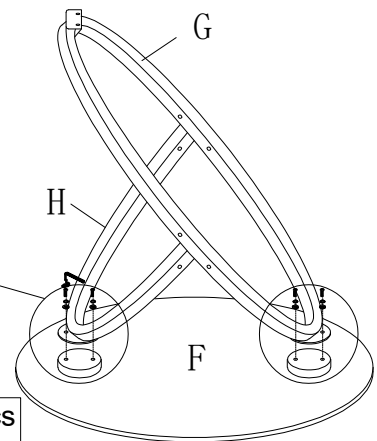
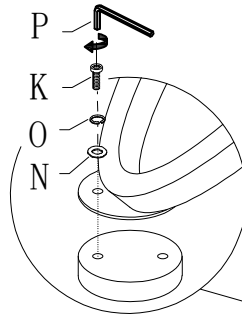
Hardware L: 4 pcs  
Hardware N: 4 pcs  
Hardware O: 4 pcs



### STEP 4

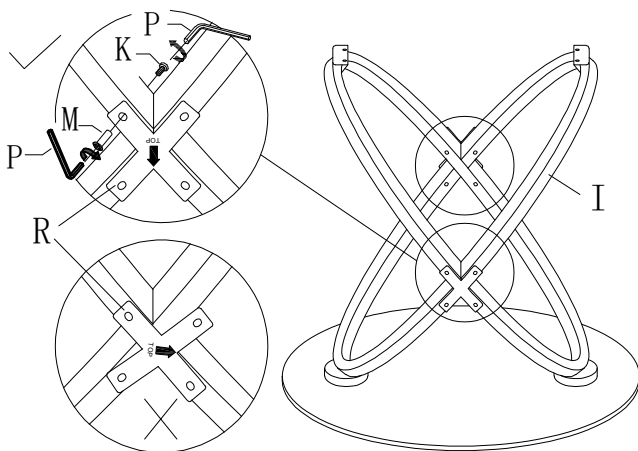


### STEP 5



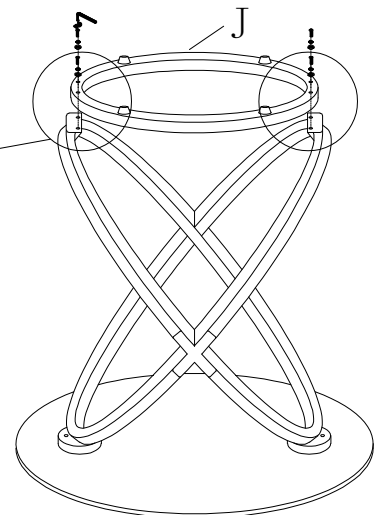
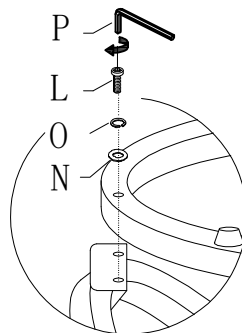
Hardware K: 4 pcs  
Hardware N: 4 pcs  
Hardware O: 4 pcs

### STEP 6



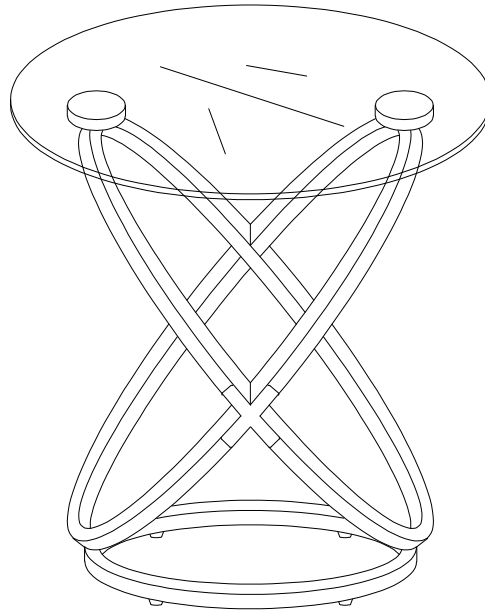
Hardware K: 8 pcs  
Hardware M: 8 pcs  
Hardware R: 2 pcs

### STEP 7

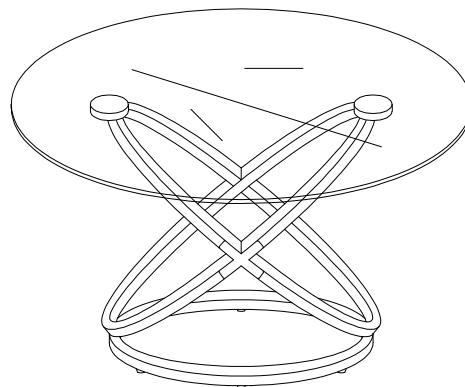
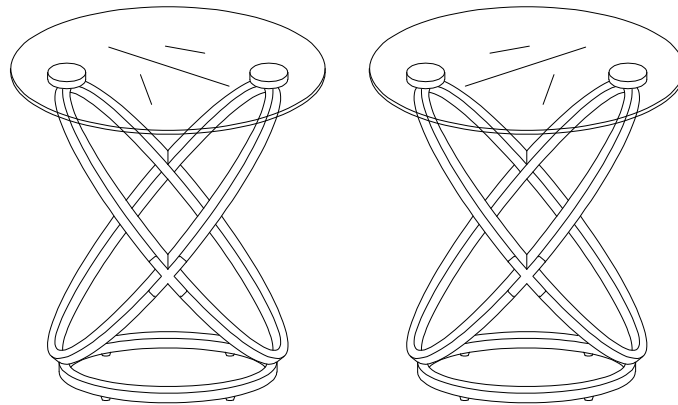


Hardware L: 4 pcs  
Hardware N: 4 pcs  
Hardware O: 4 pcs

# STEP 8



# COMPLETED



For items use on wooden floor, hard surfaces or carpets, it is recommended to Install protective pads under all legs and supports to avoid/prevent from damages/scratches and discoloration.