



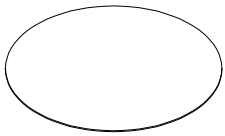
# ASSEMBLY INSTRUCTION

3706-31

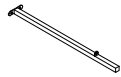
2 PCS OCCASIONAL SET

## HOMELEGANCE

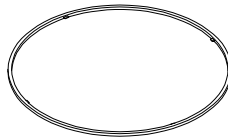
### PART LIST:



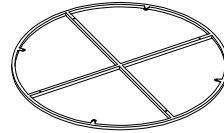
A:Cocktail Table Top  
1PC



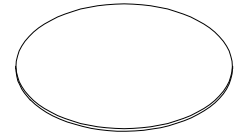
B:Cocktail Table Leg  
4PCS



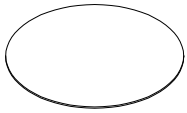
C:Cocktail Table Top Frame  
1PC



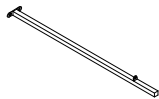
D:Cocktail Table Lower Frame  
1PC



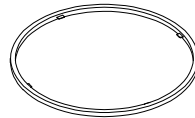
E:Cocktail Table Shelf  
1PC



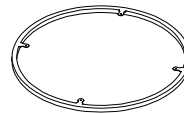
F:End Table Top  
1PC



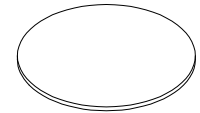
G:End Table Leg  
4PCS



H:End Table Top Frame  
1PC



I:End Table Lower Frame  
1PC



J:End Table Shelf  
1PC

### HARDWARE SET:



K:Bolt  
1/4"\*12mm  
X 24PCS



L:Screw  
4\*20mm  
X 4PCS

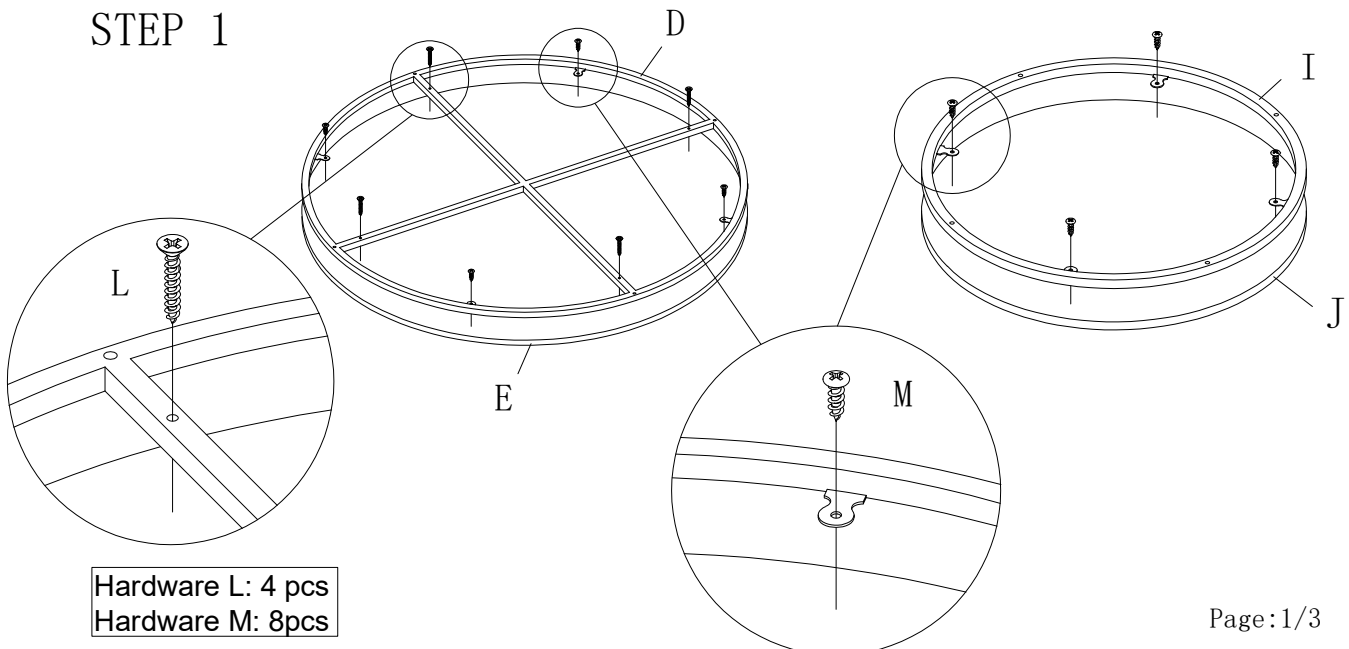


M:Screw  
4\*10mm  
X 8PCS



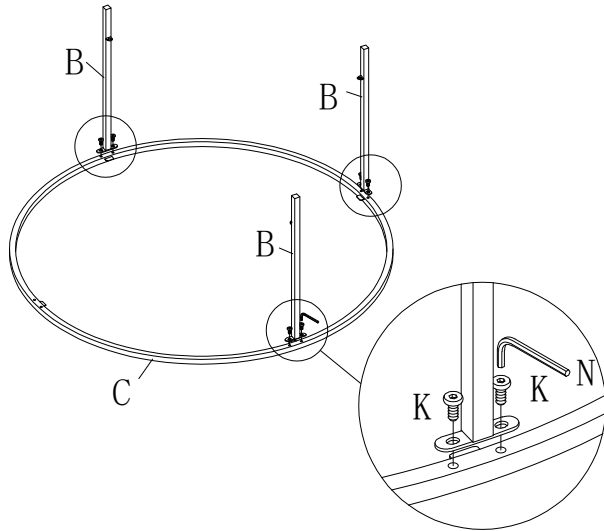
N:Allen Key  
4mm  
X 1PC

### STEP 1



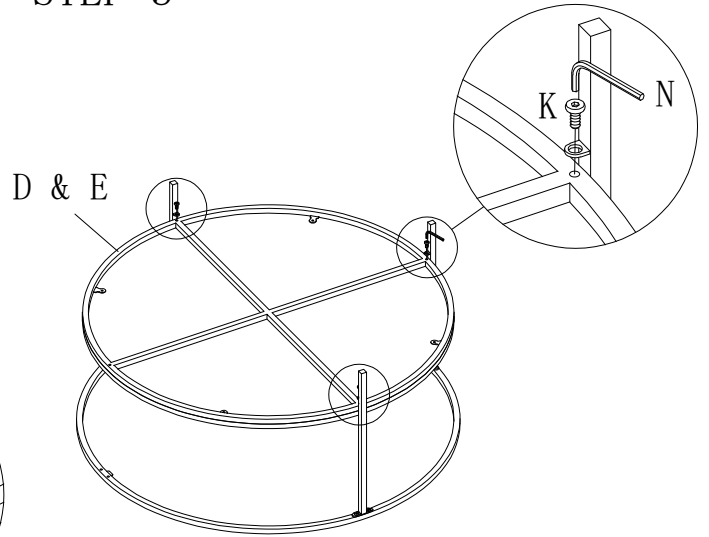
Hardware L: 4 pcs  
Hardware M: 8pcs

STEP 2



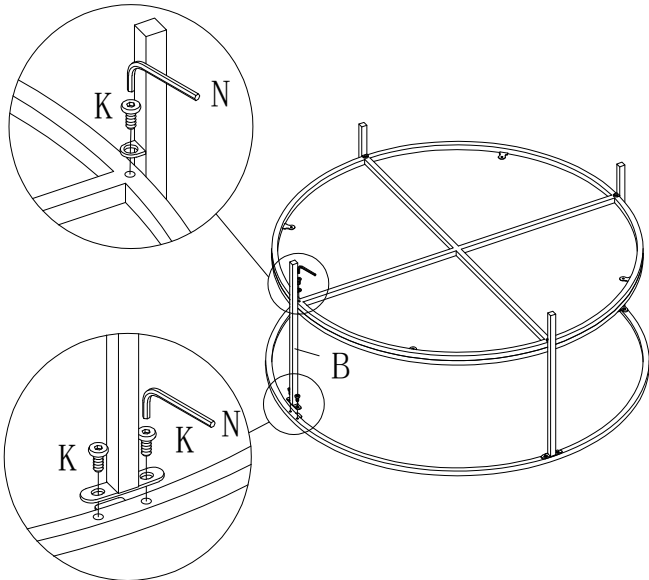
Hardware K: 6 pcs

STEP 3



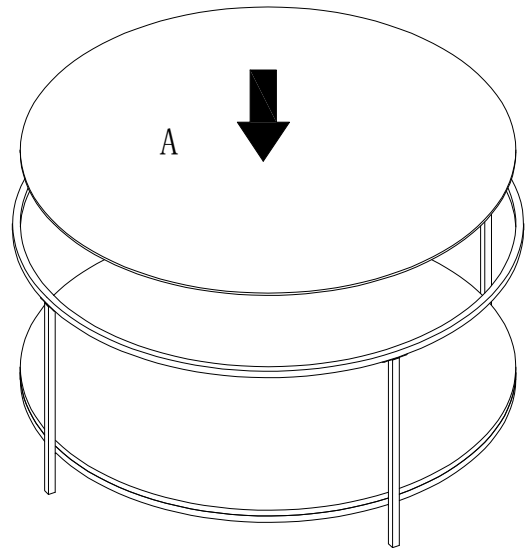
Hardware K: 3 pcs

STEP 4

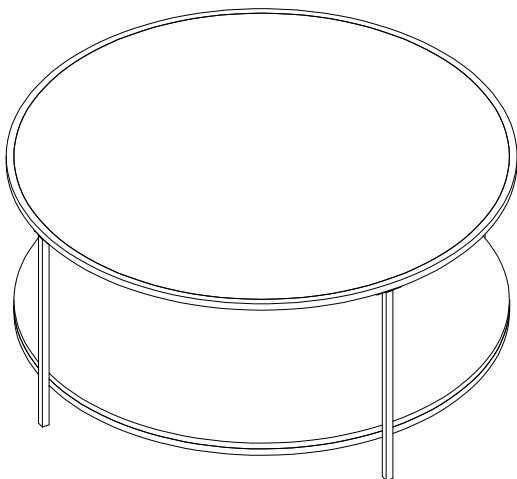


Hardware K: 3 pcs

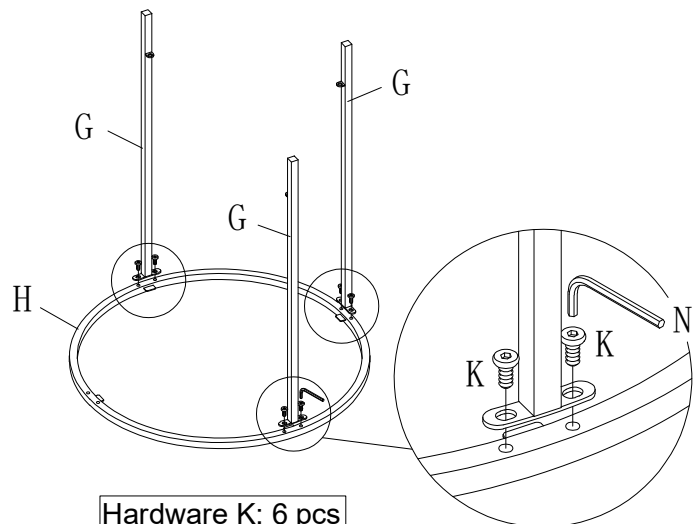
STEP 5



STEP 6

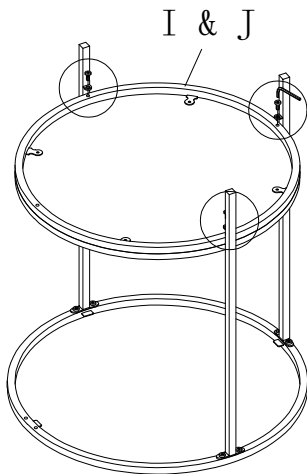


STEP 7



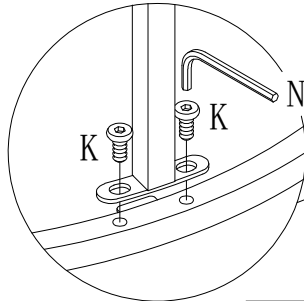
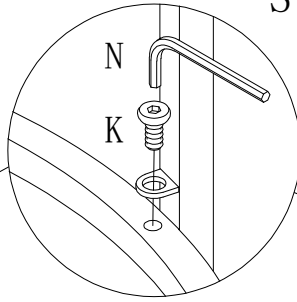
Hardware K: 6 pcs

STEP 8

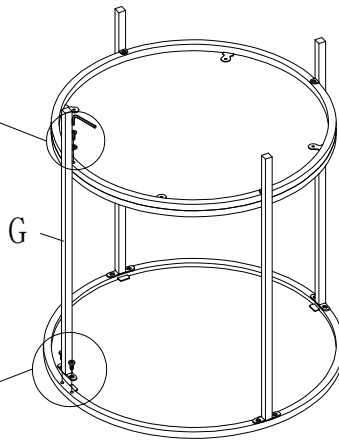


Hardware K: 3 pcs

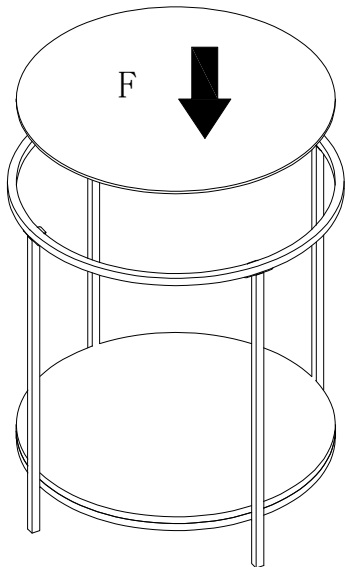
STEP 9



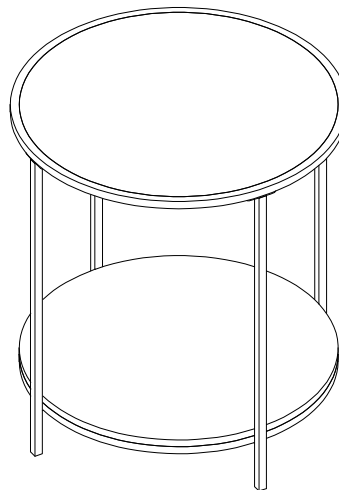
Hardware K: 3 pcs



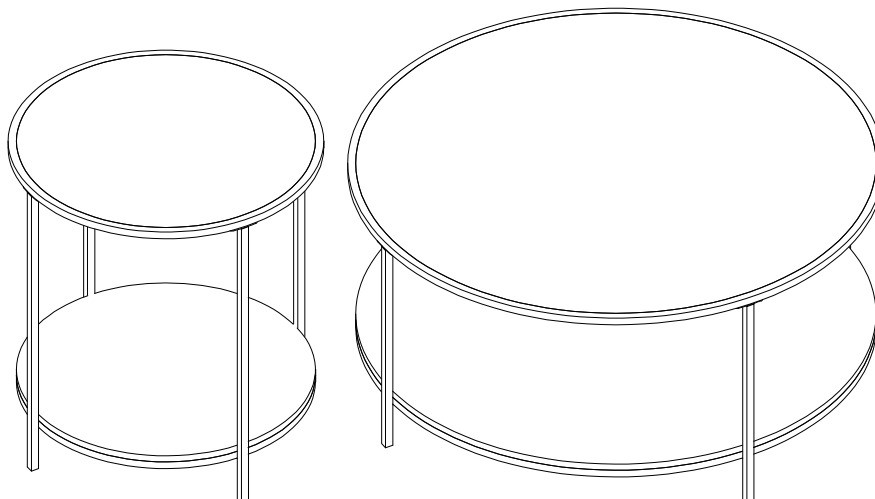
STEP 10



STEP 11



COMPLETED



For items use on wooden floor, hard surfaces or carpets, it is recommended to install protective pads under all legs and supports to avoid/prevent from damages/scratches and discoloration.