



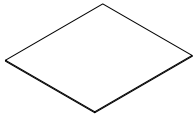
ASSEMBLY INSTRUCTION

3705-31

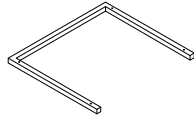
3 PCS OCCASIONAL SET

HOMELEGANCE

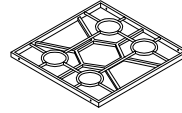
PART LIST:



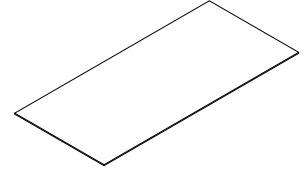
A:End Table Top
2PCS



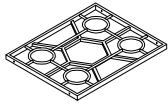
B:End Table Leg
4PCS



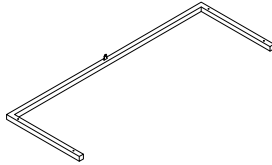
C:End Table
Side Frame
4PCS



D:Cocktail Table
Top
1PC



E:Cocktail Table
Side Frame
2PCS



F:Cocktail Table Leg
2PCS

HARDWARE SET:



G:Bolt
1/4"*25mm
X 24PCS

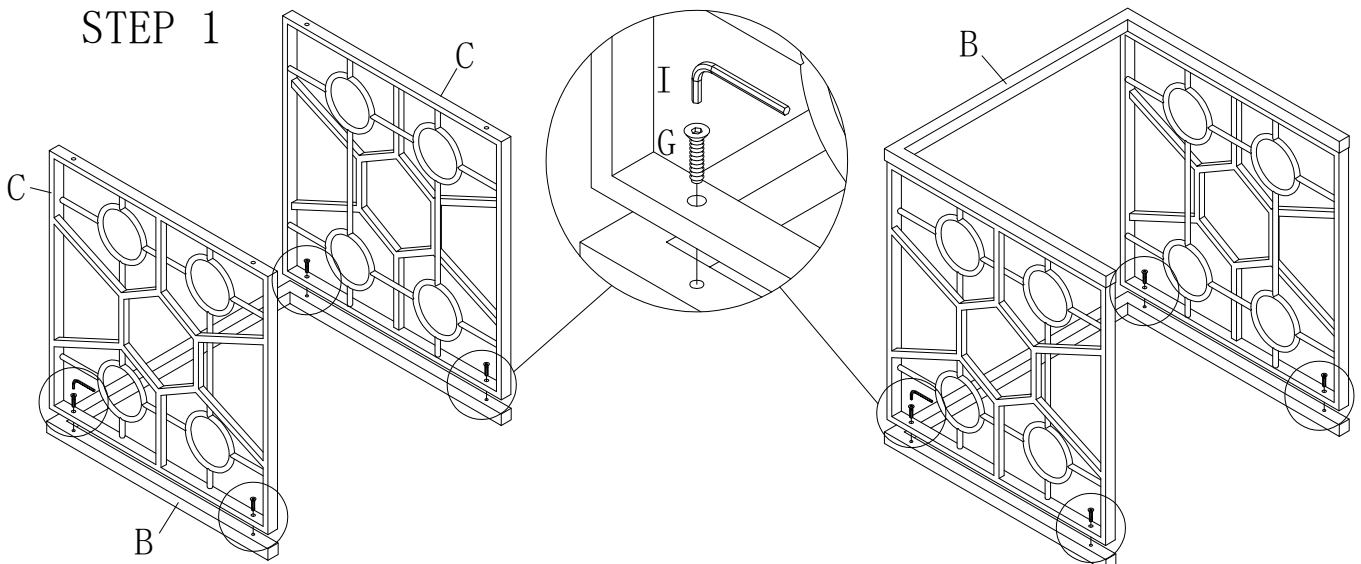


H:Glass Holder
Ø20mm
X 14PCS



I:Allen Key
4mm
X 1PC

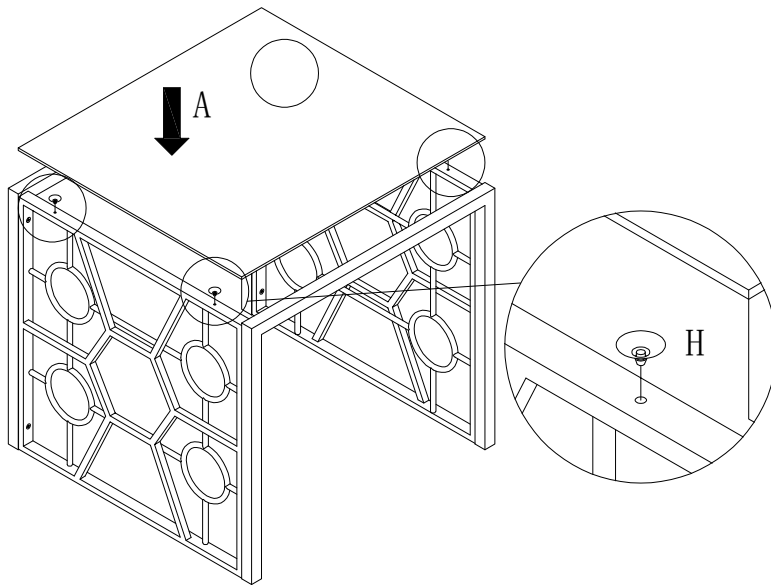
STEP 1



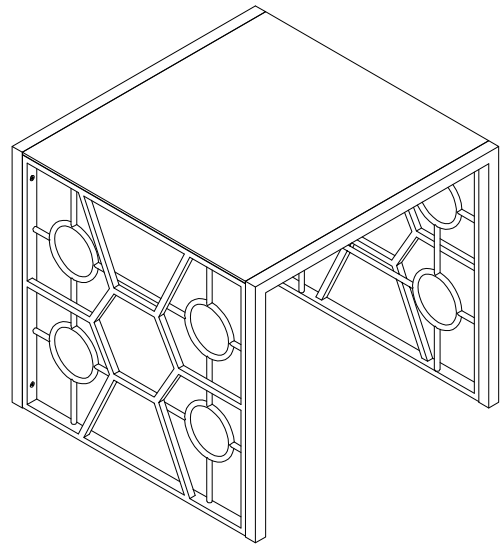
Hardware G: 8 pcs

STEP 2

Hardware H: 4 pcs

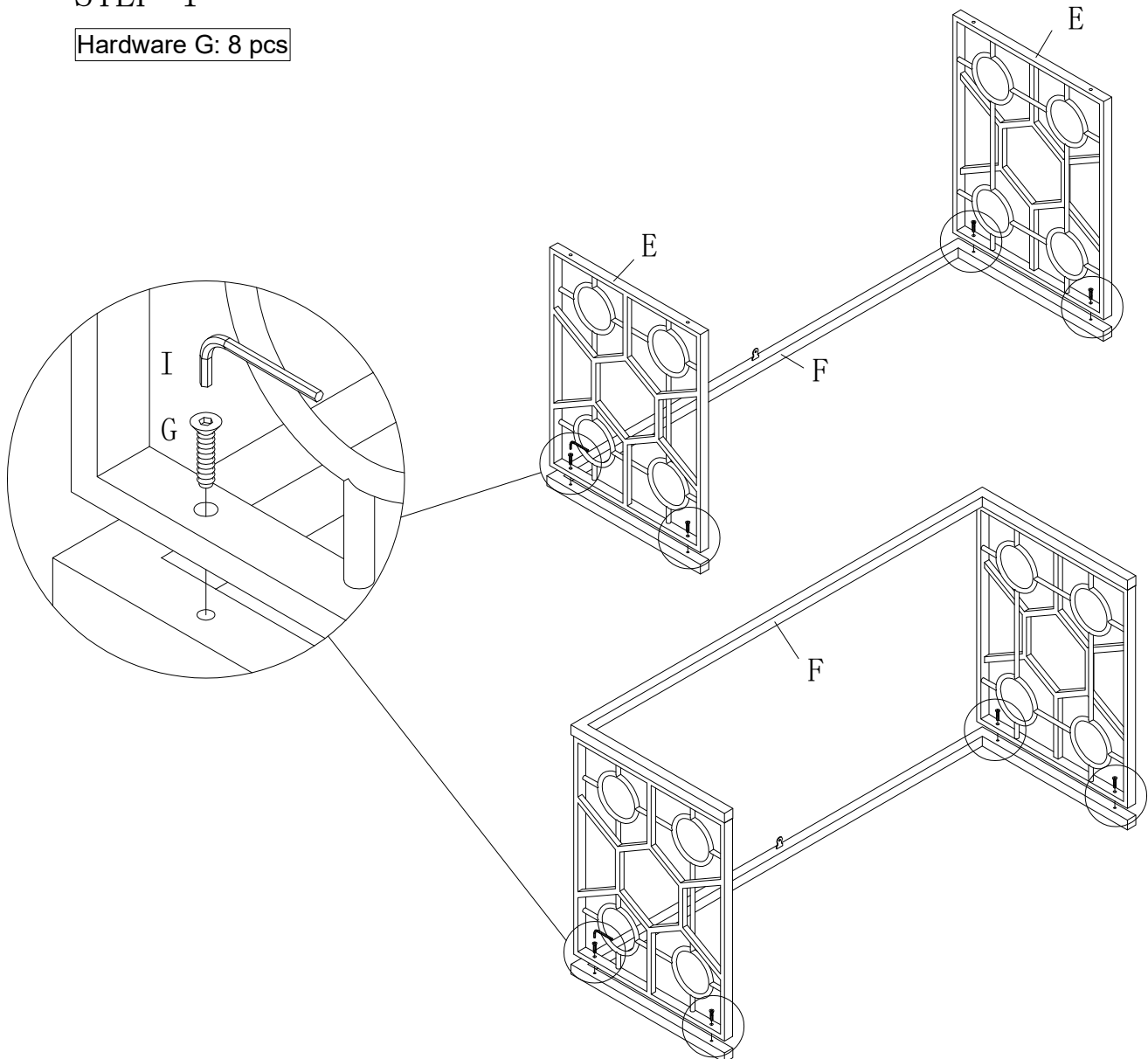


STEP 3



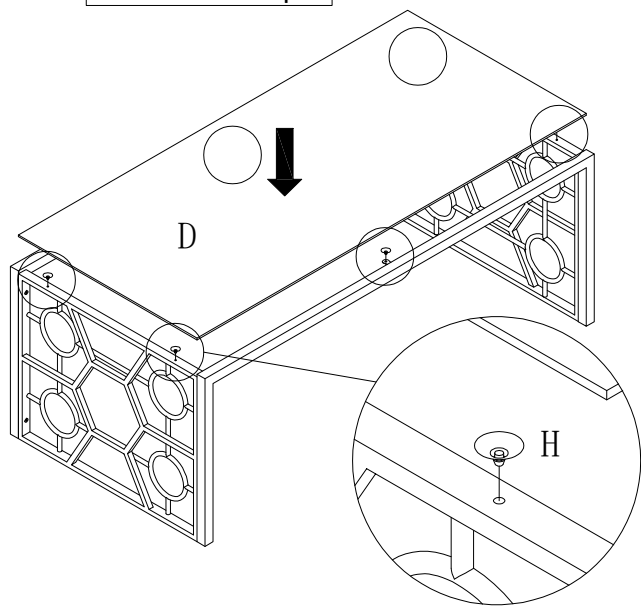
STEP 4

Hardware G: 8 pcs

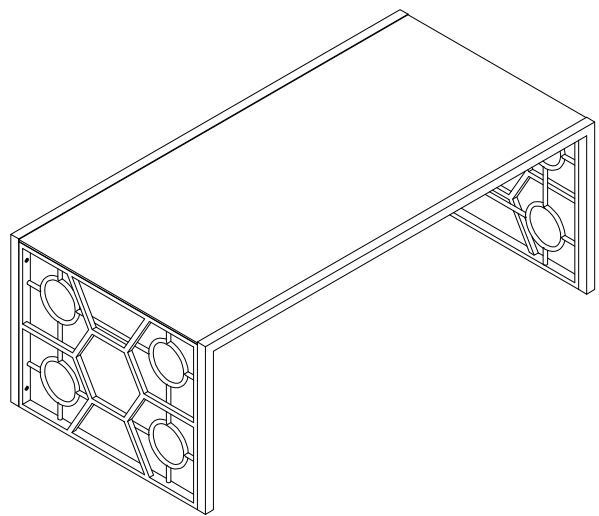


STEP 5

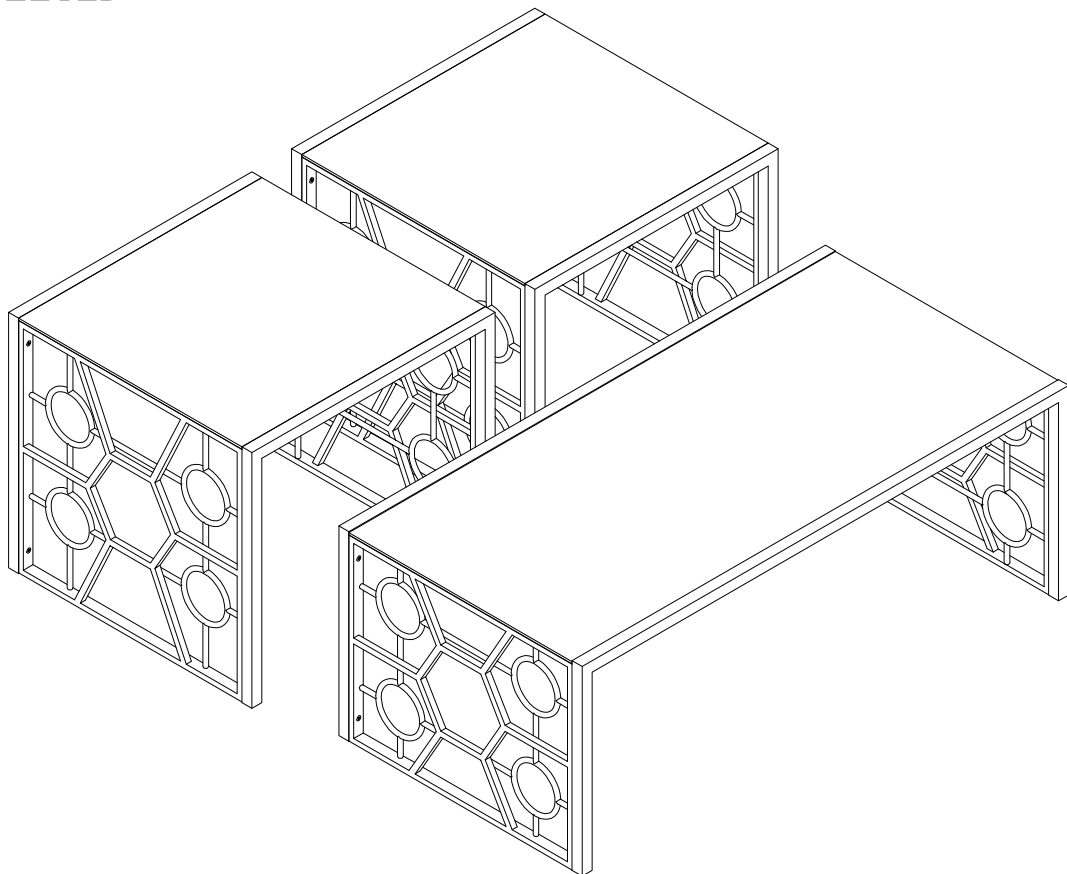
Hardware H: 6 pcs



STEP 6



COMPLETED



For items use on wooden floor, hard surfaces or carpets, it is recommended to install protective pads under all legs and supports to avoid/prevent from damages/scratches and discoloration.