



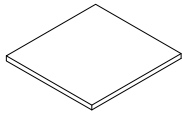
ASSEMBLY INSTRUCTION

3703-31

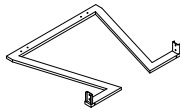
3 PCS OCCASIONAL SET

HOMELEGANCE

PART LIST:



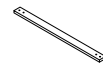
A:End Table Top
2PCS



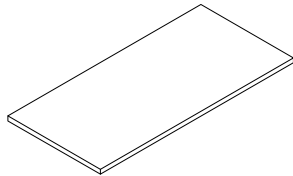
B:End Table
Leg Frame
4PCS



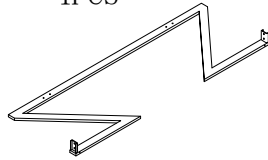
C:End Table
Top Bar
4PCS



D:End Table
Bottom Bar
4PCS



E:Cocktail Table
Top
1PC



F:Cocktail Table
Leg Frame
2PCS



G:Cocktail Table
Top Bar
2PCS



H:Cocktail Table
Bottom Bar
2PCS

HARDWARE SET:



I:Bolt
1/4"*30mm
X 12PCS



J:Bolt
1/4"*12mm
X 48PCS



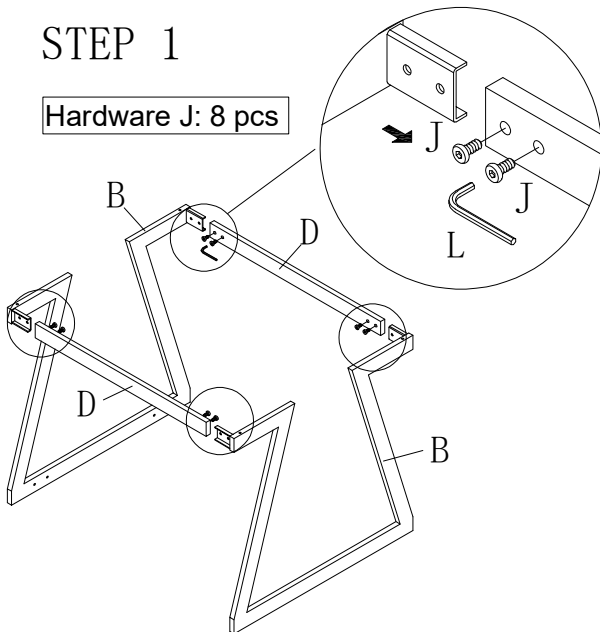
K:Adjustable
Leveler
Ø13mm
X 12PCS



L:Allen Key
4mm
X 1PC

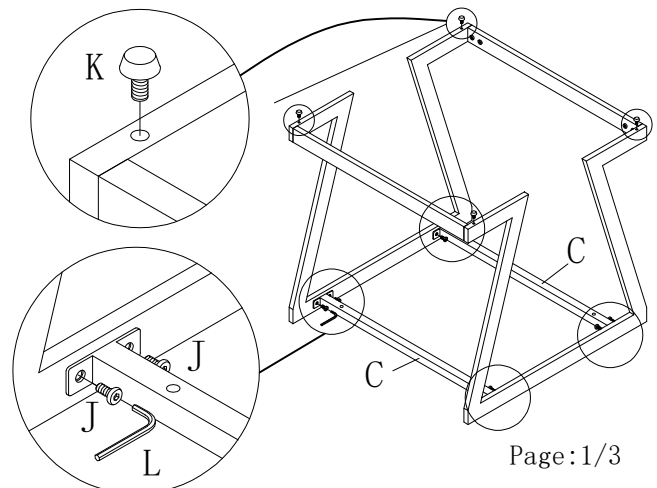
STEP 1

Hardware J: 8 pcs



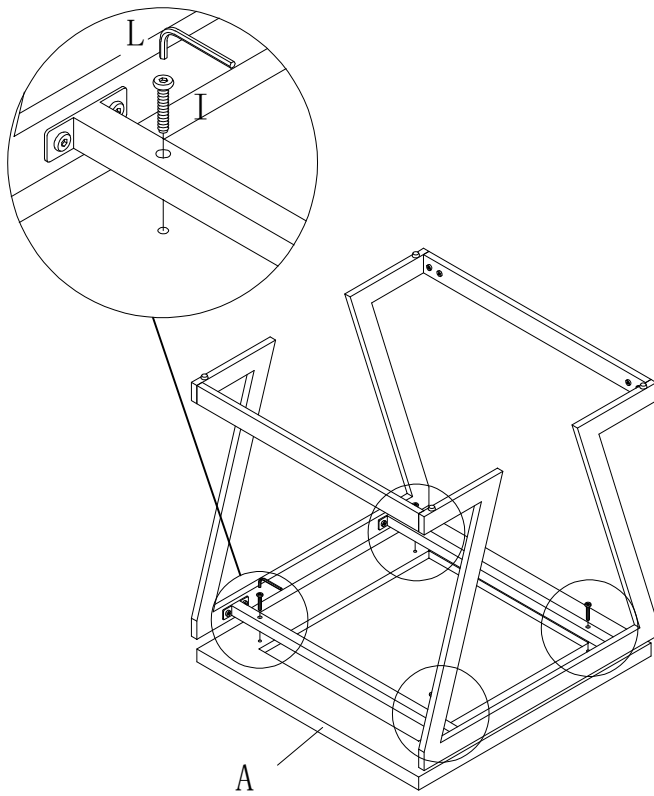
STEP 2

Hardware J: 8 pcs
Hardware K: 4 pcs

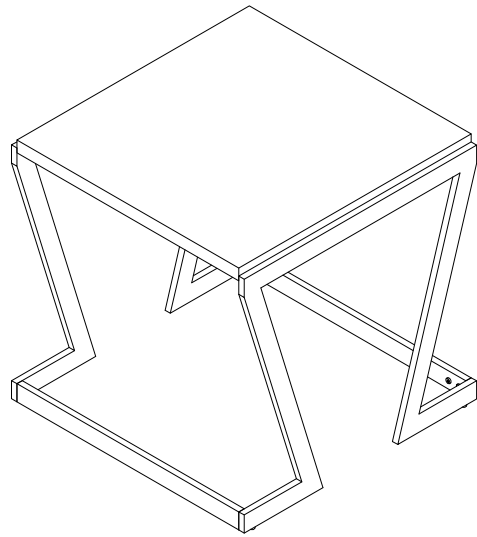


STEP 3

Hardware I: 4 pcs

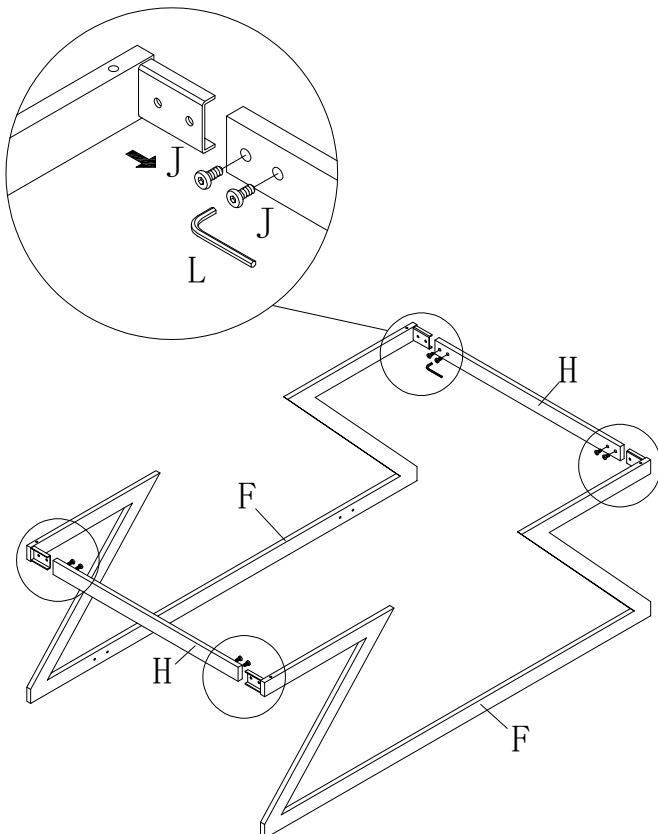


STEP 4



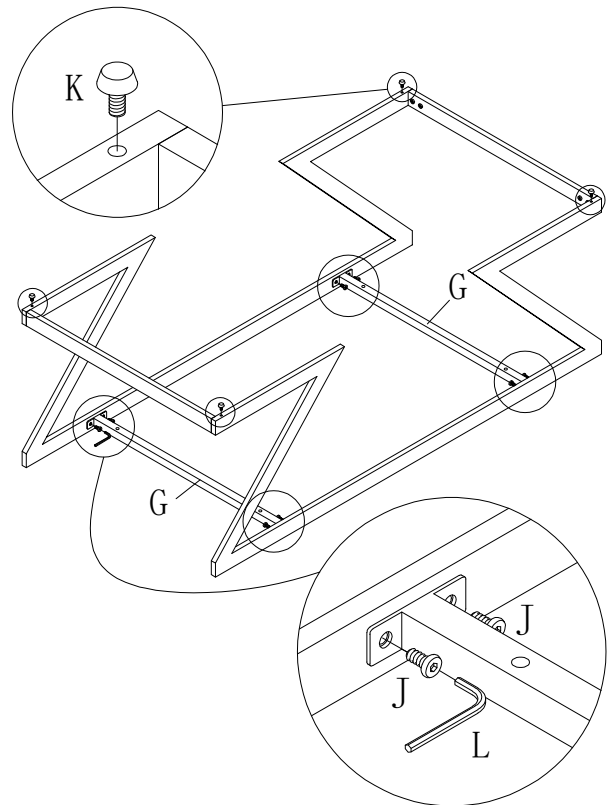
STEP 5

Hardware J: 8 pcs



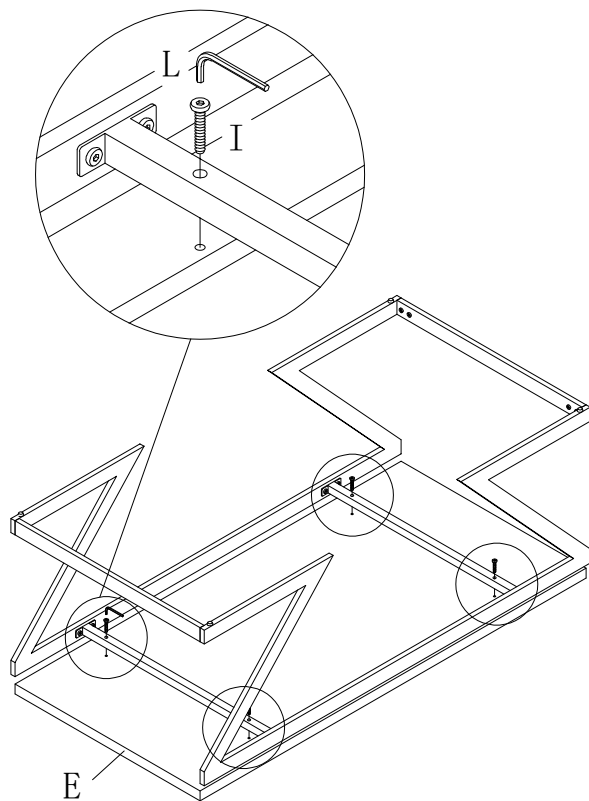
STEP 6

Hardware J: 8 pcs
Hardware K: 4 pcs

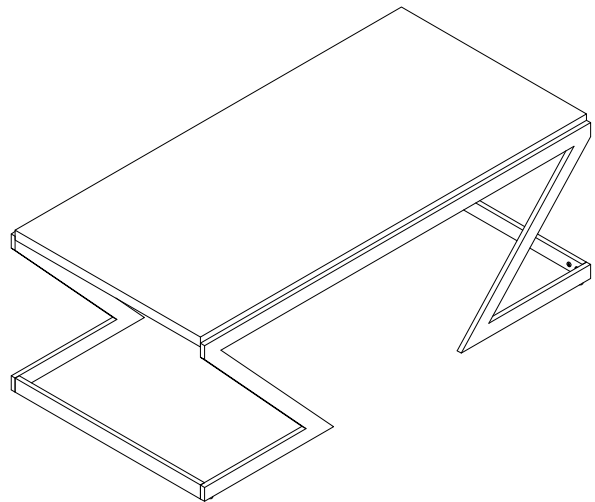


STEP 7

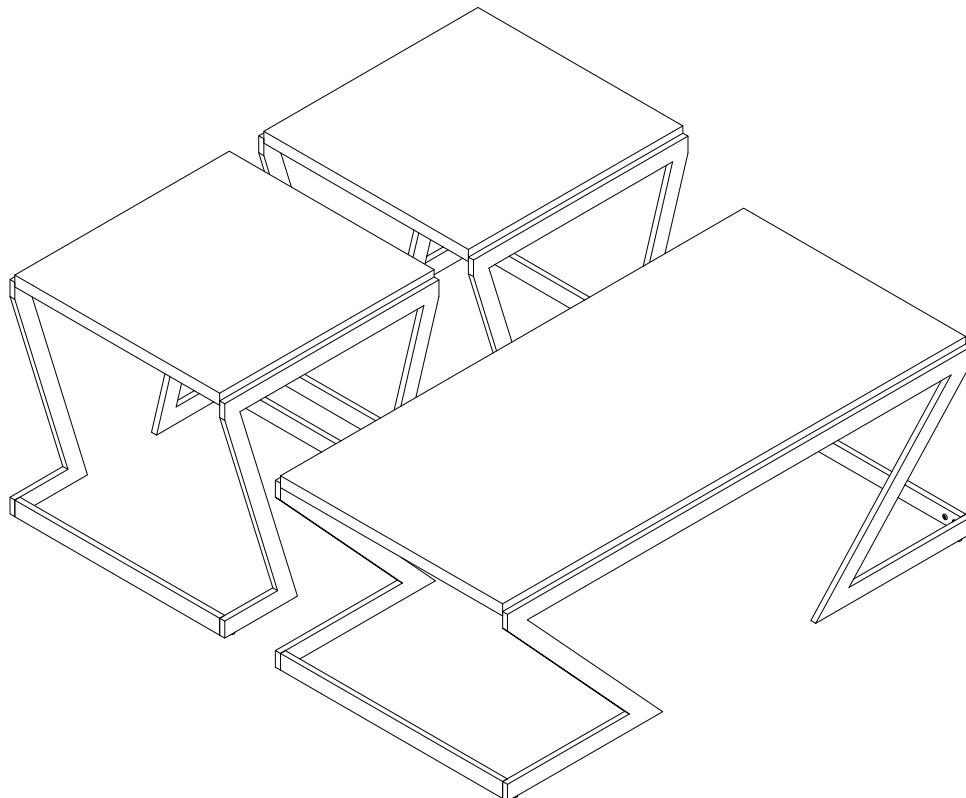
Hardware I: 4 pcs



STEP 8



COMPLETED



For items use on wooden floor, hard surfaces or carpets, it is recommended to install protective pads under all legs and supports to avoid/prevent from damages/scratches and discoloration.