



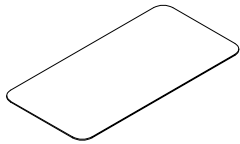
ASSEMBLY INSTRUCTION

3699-31

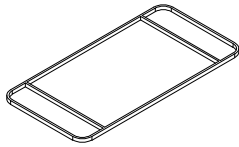
3 PCS OCCASIONAL SET

HOMELEGANCE

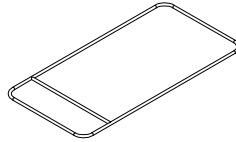
PART LIST:



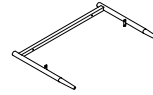
A:Cocktail Table Top
1PC



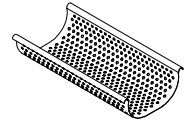
B:Cocktail Table Top Frame
1PC



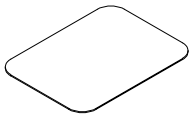
C:Cocktail Table Lower Frame
1PC



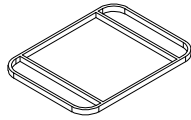
D:Cocktail Table Leg
2PCS



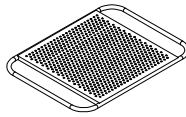
E:Cocktail Table Shelf
1PC



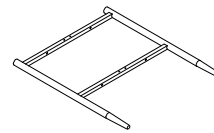
F:End Table Top
2PCS



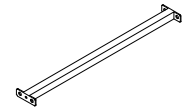
G:End Table Top Frame
2PCS



H:End Table Shelf
2PCS



I:End Table Leg
4PCS



J:Support Bar
4PCS

HARDWARE SET:



K:Bolt
1/4"*12mm
X 24PCS



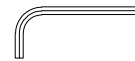
L:Bolt
1/4"*25mm
X 16PCS



M:Bolt
1/4"*30mm
X 4PCS

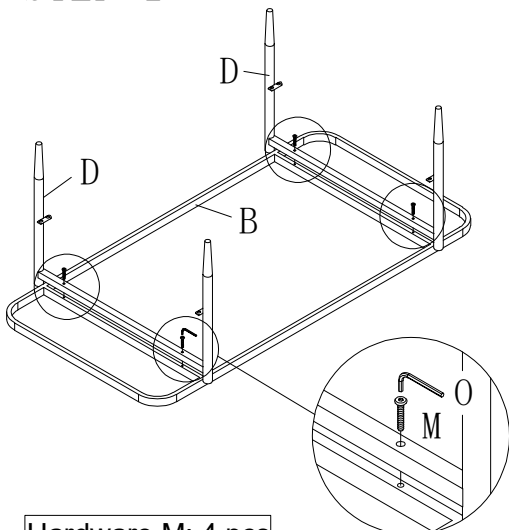


N:Plastic Pad
4mm
X 14PCS



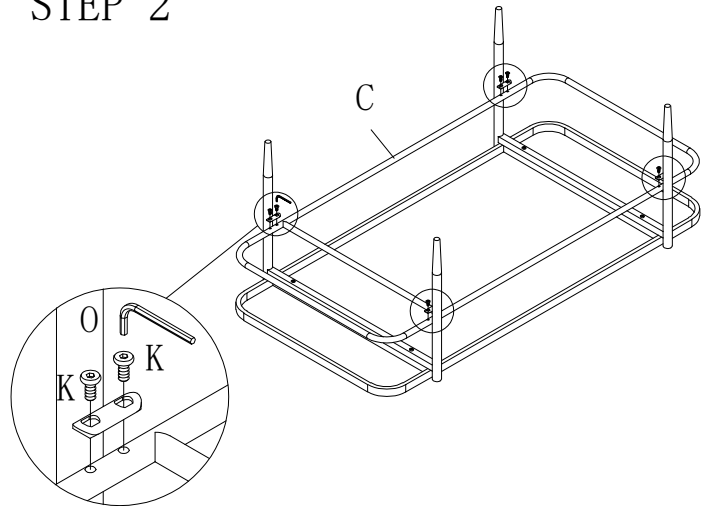
O:Allen Key
4mm
X 1PC

STEP 1



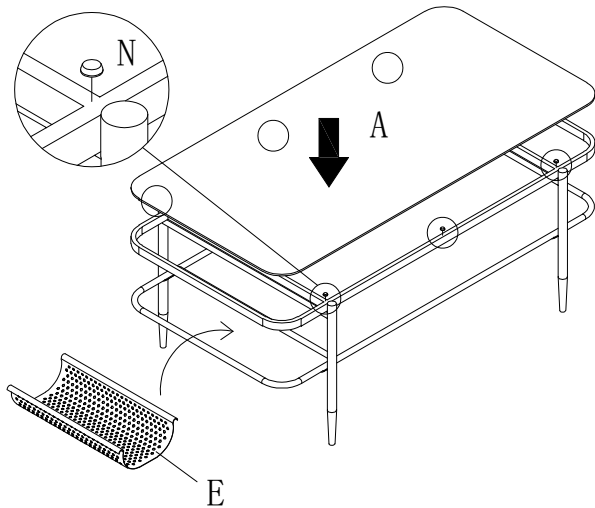
Hardware M: 4 pcs

STEP 2



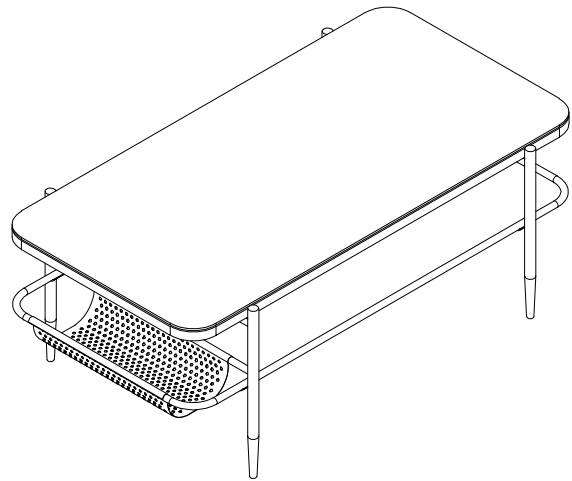
Hardware K: 8 pcs

STEP 3

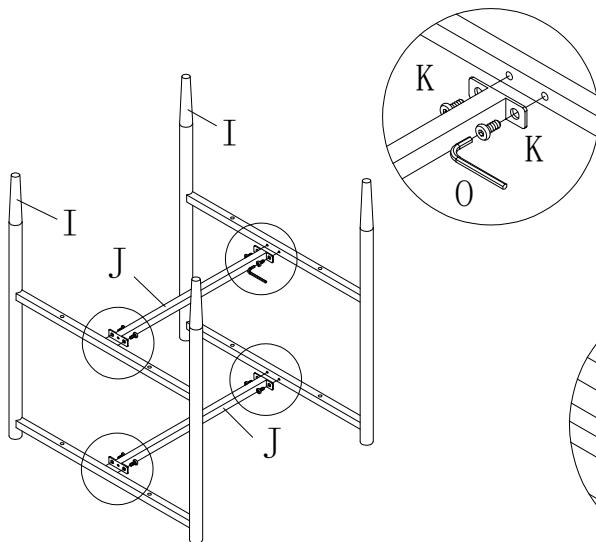


Hardware N: 6 pcs

STEP 4

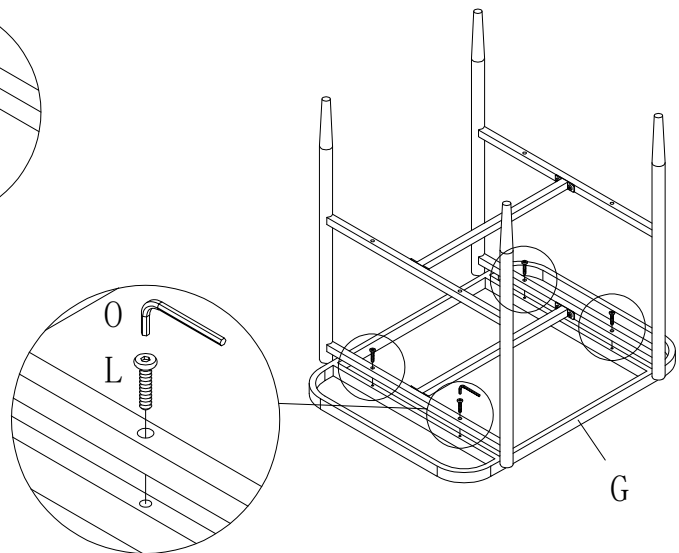


STEP 5



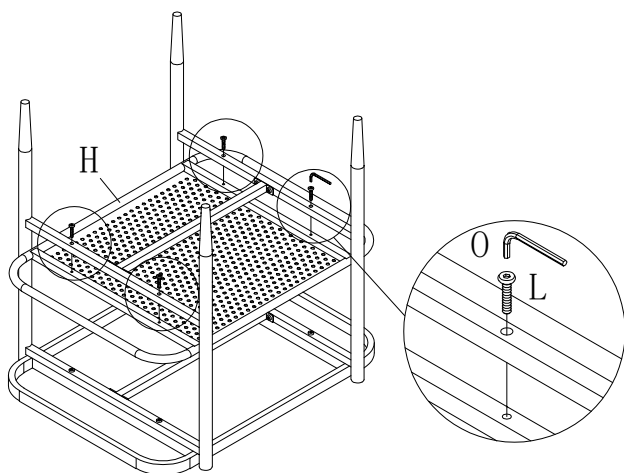
Hardware K: 8 pcs

STEP 6



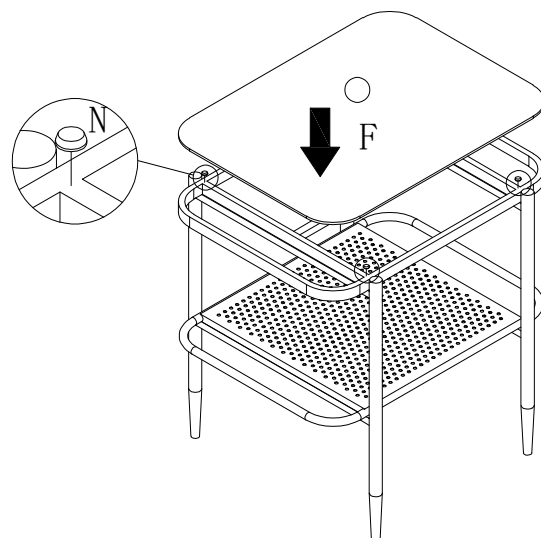
Hardware L: 4 pcs

STEP 7



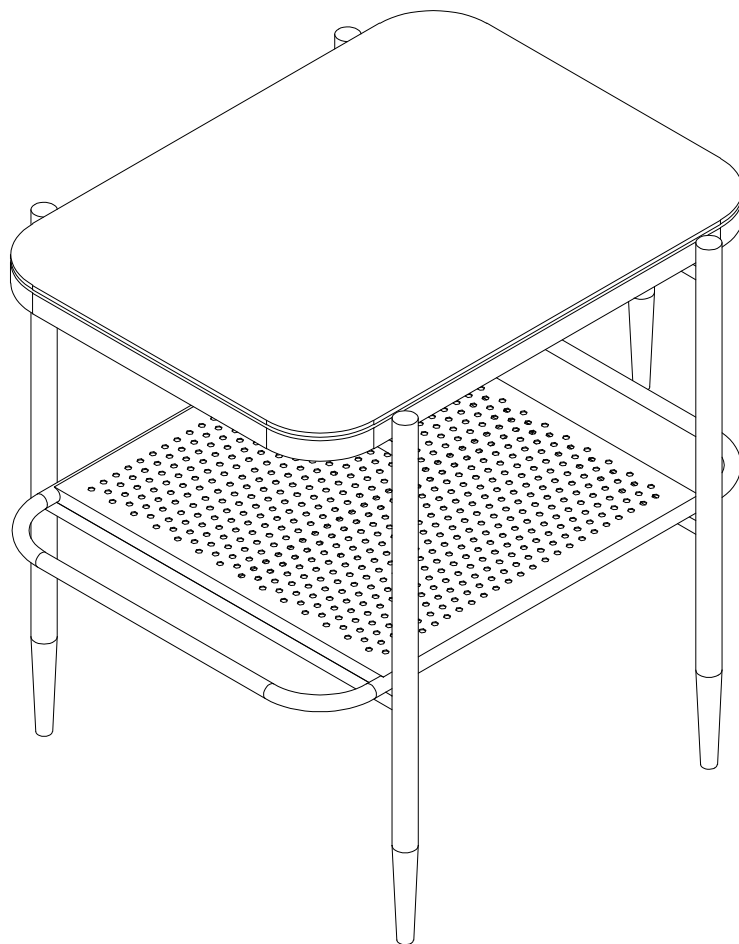
Hardware L: 4 pcs

STEP 8

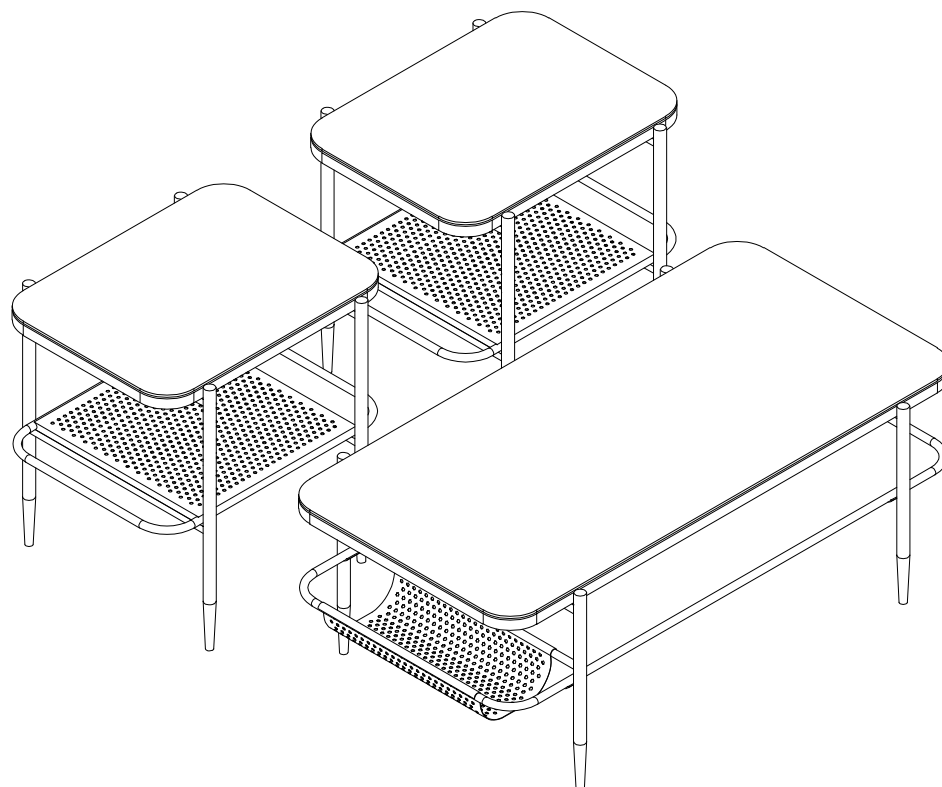



Hardware N: 4 pcs

STEP 9



COMPLETED



 For items use on wooden floor, hard surfaces or carpets, it is recommended to install protective pads under all legs and supports to avoid/prevent from damages/scratches and discoloration.