



Assembly Instruction

END TABLE

ITEM NO.: 3648-04

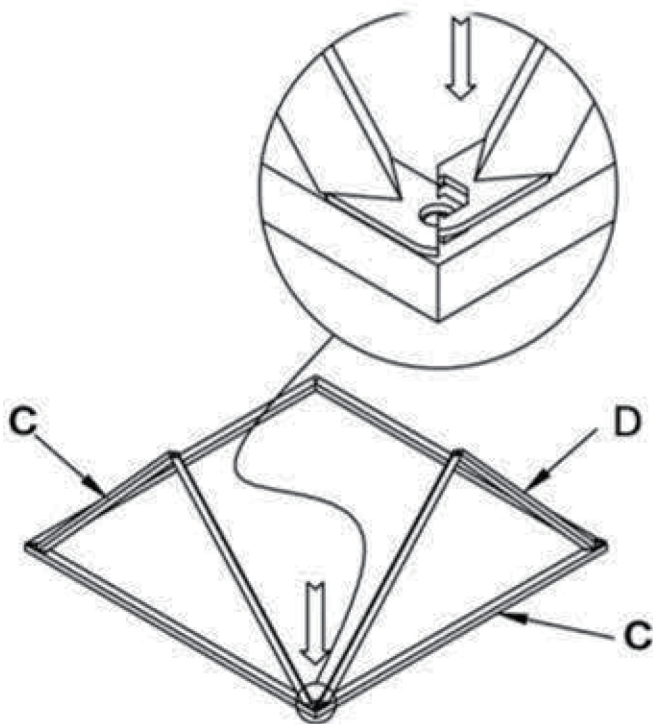
NOTE: Do not use power tools for assembly. Power tools increase the risk of over tightening which leads to splitting or cracking the wood.

COMPONENT LIST

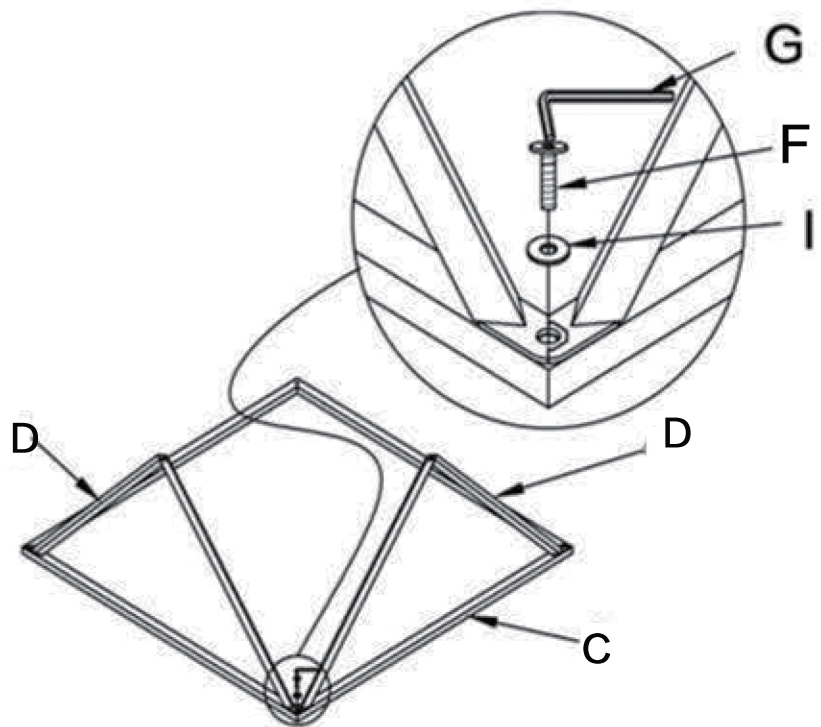
NO.	DRAWING	QTY	DESCRIPTION
A		1	Glass Top
B		1	Bottom Frame
C		1	Top Frame
D		4	Leg
E		4	Allen bolt 6x20mm

NO.	DRAWING	QTY	DESCRIPTION
F		4	Allen bolt 6x8mm
G		1	Allen key
H		4	Plastic Pad
I		4	Washer 8x16mm

STEP#1

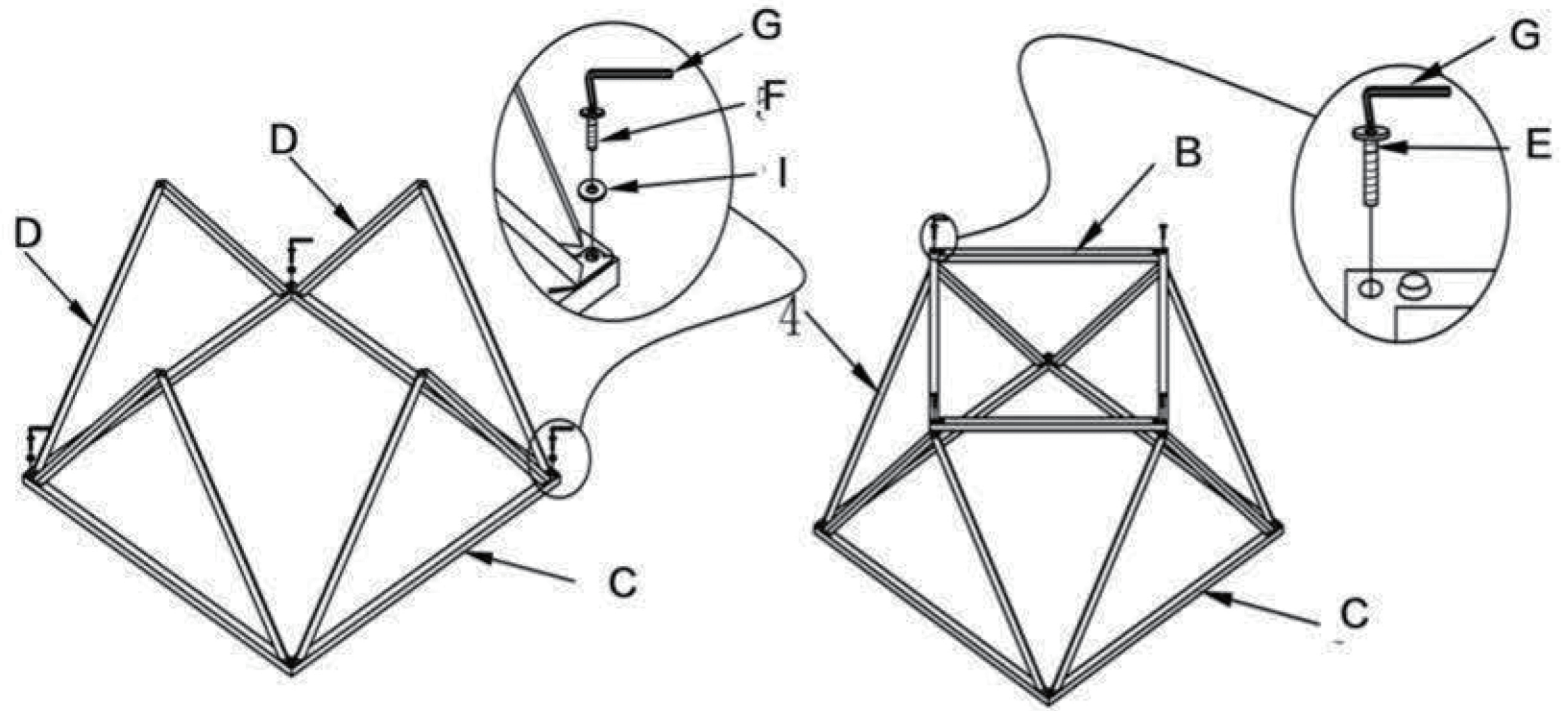


STEP#2



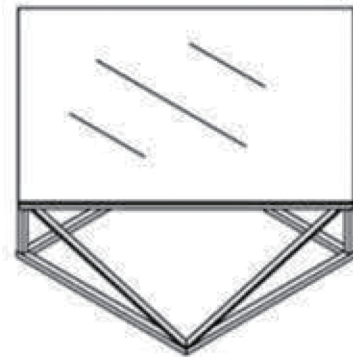
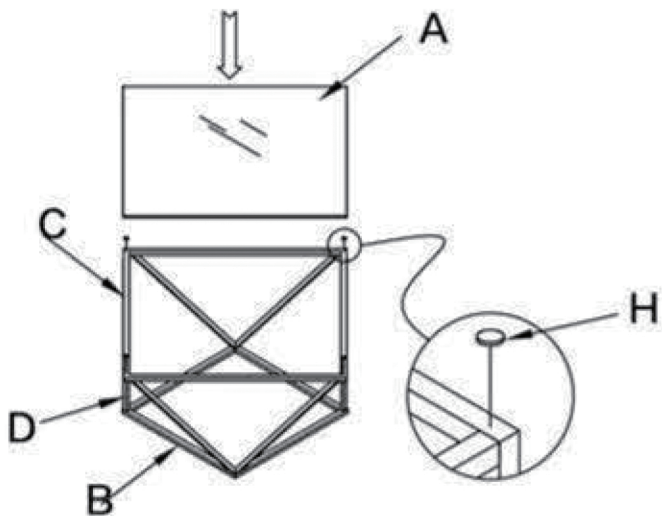
STEP 3/ÉTAPE 3:

STEP4/ÉTAPE 4:



STEP5/ ÉTAPE 5 :

STEP6/ÉTAPE6:



For items use on wooden floor, hard surfaces or carpets, it is recommended to install protective pads under all legs and supports to avoid/prevent from damages/scratches and discoloration.