












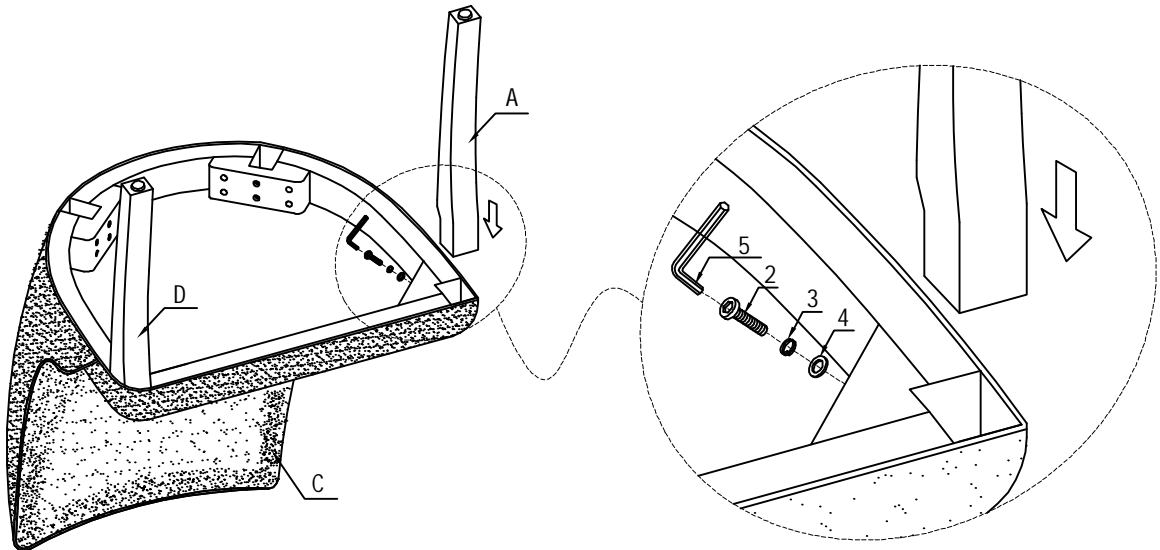
Assembly Instruction

ITEM: 2466S SIDE CHAIR

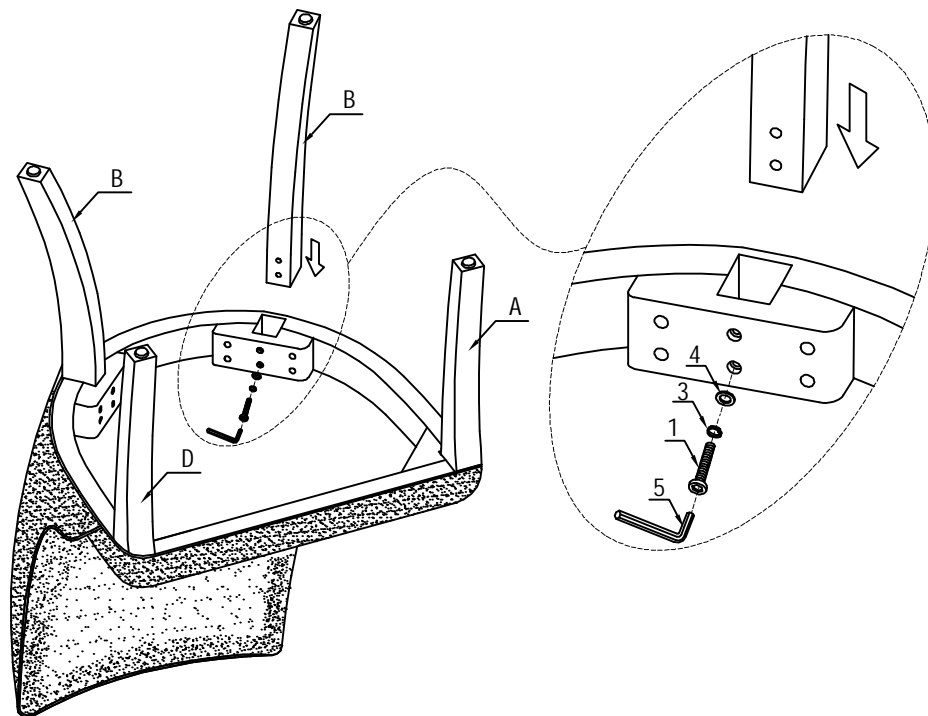
PART LIST				HARDWARE LIST				
A	FRONT LEG (LEFT)		1 PC	1	BOLT-SMALL		5/16"X2"	4 PCS
B	REAR LEG		2 PCS	2	BOLT-LARGE		5/16"X2-1/2"	4 PCS
C	CHAIR BACK		1 PC	3	SPRING WASHER		5/16"	8 PCS
D	FRONT LEG (RIGHT)		1 PC	4	WASHER		5/16"X19mm	8 PCS
				5	ALLEN WRENCH		5mm	1 PC

STEP 1

Fix front leg with chair back



STEP 2
Fix rear leg with chair back



STEP 3
Assembly completed

