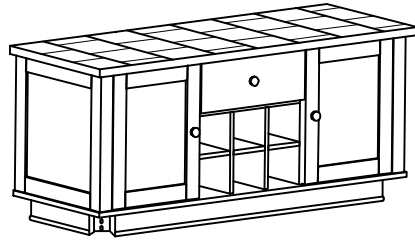


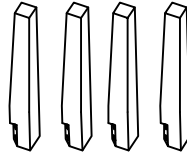
ASSEMBLY INSTRUCTION

2456-40 SERVER, MARBLE TOP

PART LIST:

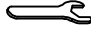





SERVER
1pc

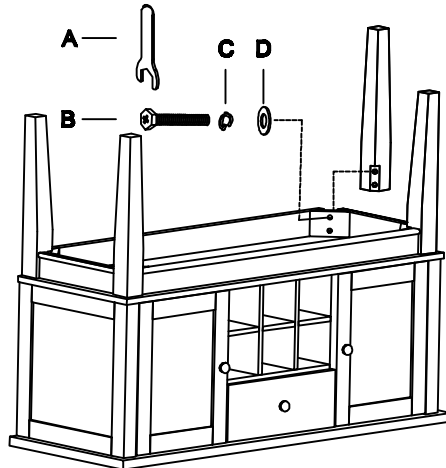


legs
4pcs

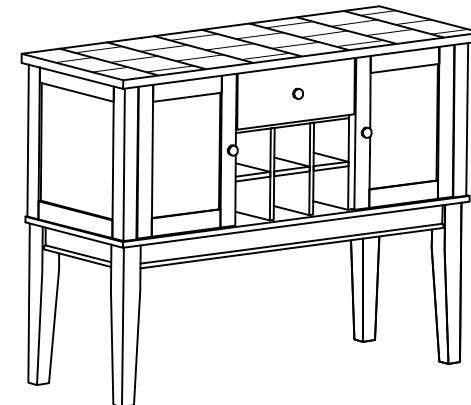
HARDWARE LIST

HARDWARE LIST				
A		ALLEN KEY	12mm	1 PC
B		Bolt	Ø5/16"x2-1/2"	8 PCS
C		Spring Washer	Ø5/16"	8 PCS
D		Flat Washer	Ø5/16"xØ23mm	8 PCS

STEP 1



COMPLETED



For items use on wooden floor, hard surfaces or carpets, it is recommended to install protective pads under all legs and supports to avoid/prevent from damages/scratches and discoloration