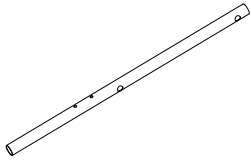




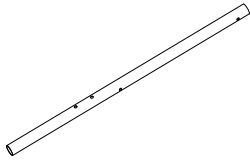
ASSEMBLY INSTRUCTION

HOME ELEGANCE 2051FBK-1 FULL BED, BLACK

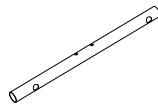
PART LIST:



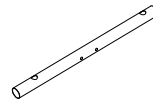
A: LSF Headboard post
x 1pc



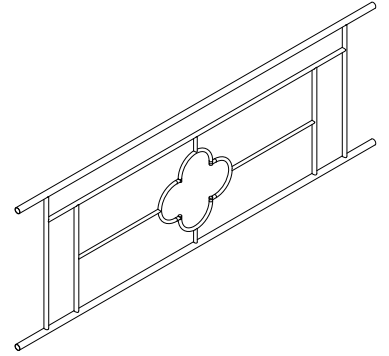
B: RSF Headboard post
x1pc



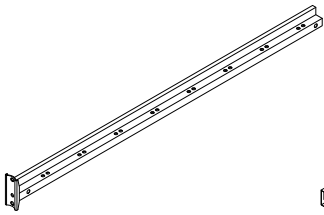
C: LSF Footboard post
x1pc



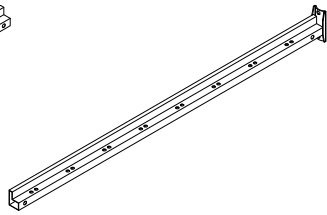
D: RSF Footboard post
x1pc



E: Headboard & Footboard Frame
x2pcs



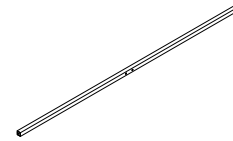
F: Rail section (1)
x 2pcs



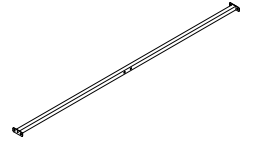
G: Rail section (2)
x 2pcs



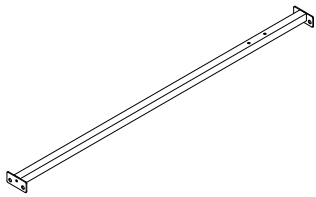
H: Rail Support Legs
x 2pcs



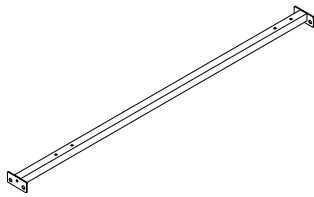
I: Front/Rear Support Bar
x 2pcs



J: Center support Bar
x 1pc



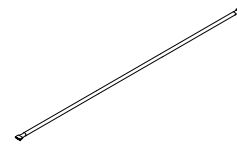
K: Front Center Rail
x 1pc



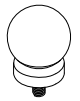
L: Rear Center Rail
x 1pc



M: Center Support Legs
x 3pcs



N: Slat with Connectors
x 16pcs



O: Finial
x 4pcs

HARDWARE LIST:



1: Bolt 1/4*46mm
x8pcs



2: Bolt 1/4*36mm
x2pcs



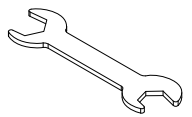
3: Bolt 1/4*16mm
x30pcs



4: Nut
x6pcs



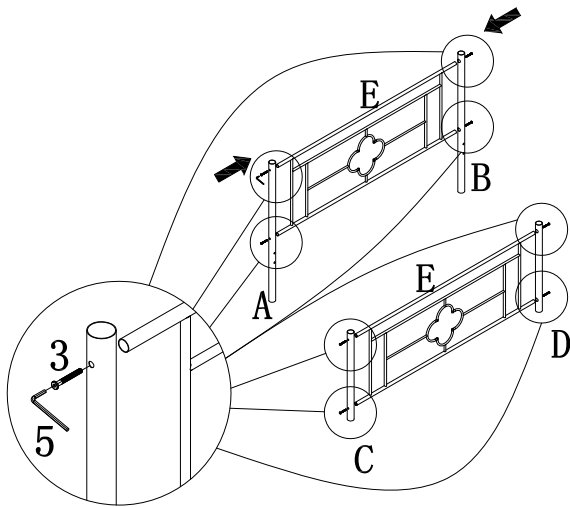
5: Allen Key
x1pc



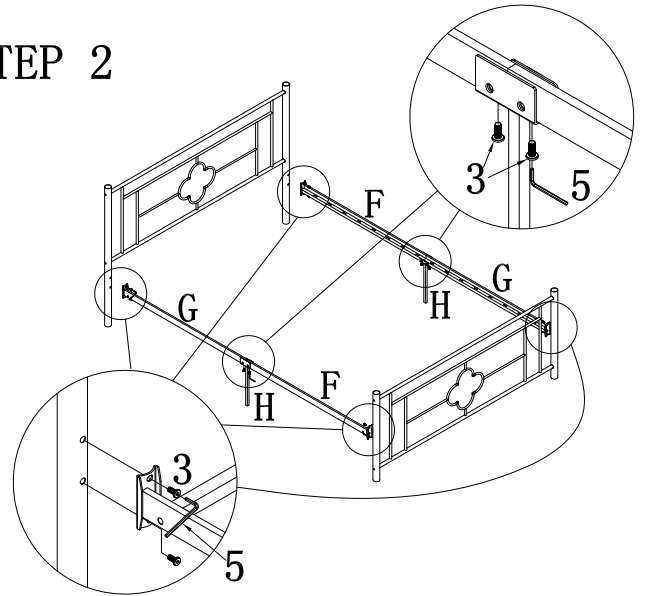
6: Wrench
x1pc

Note: Please do not tighten all bolts until the bed is assembled completely.

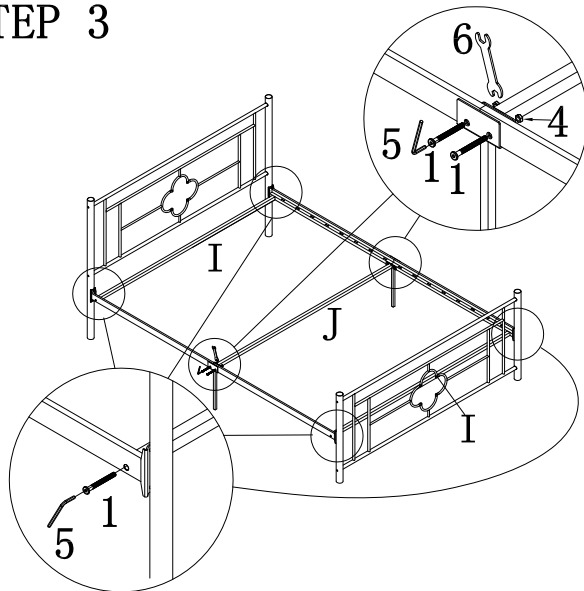
STEP 1



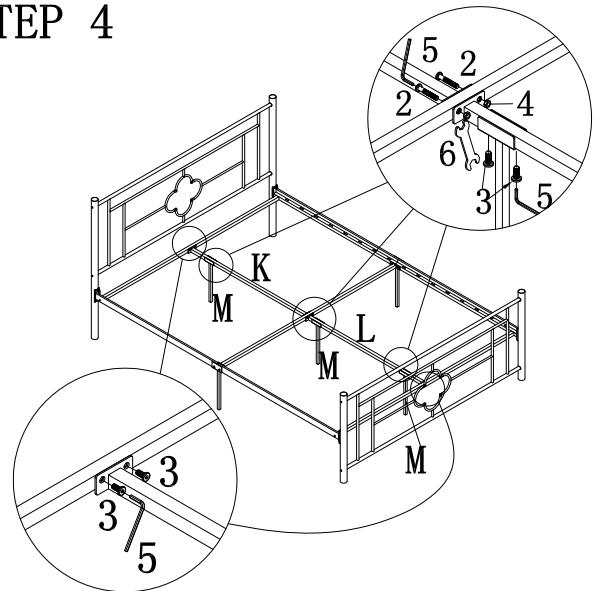
STEP 2



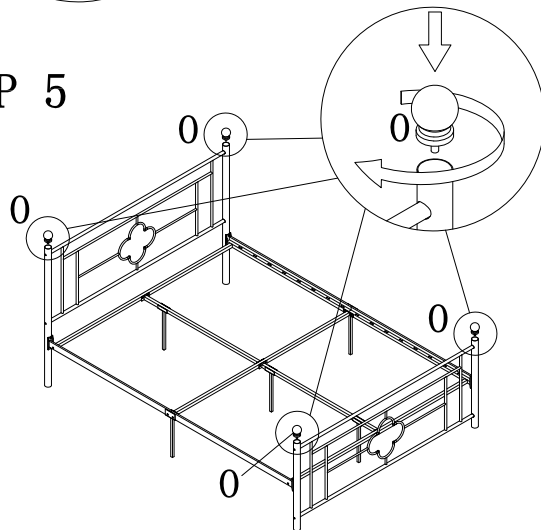
STEP 3



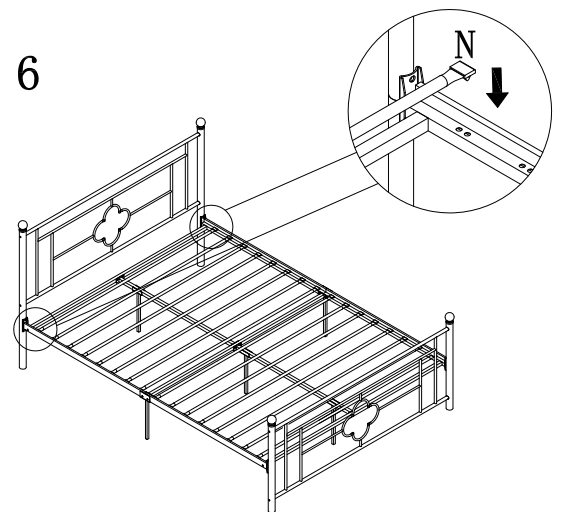
STEP 4



STEP 5



STEP 6



For items use on wooden floor, hard surfaces or carpets, it is recommended to install protective pads under all legs and supports to avoid/prevent from damages/scratches and discoloration.