

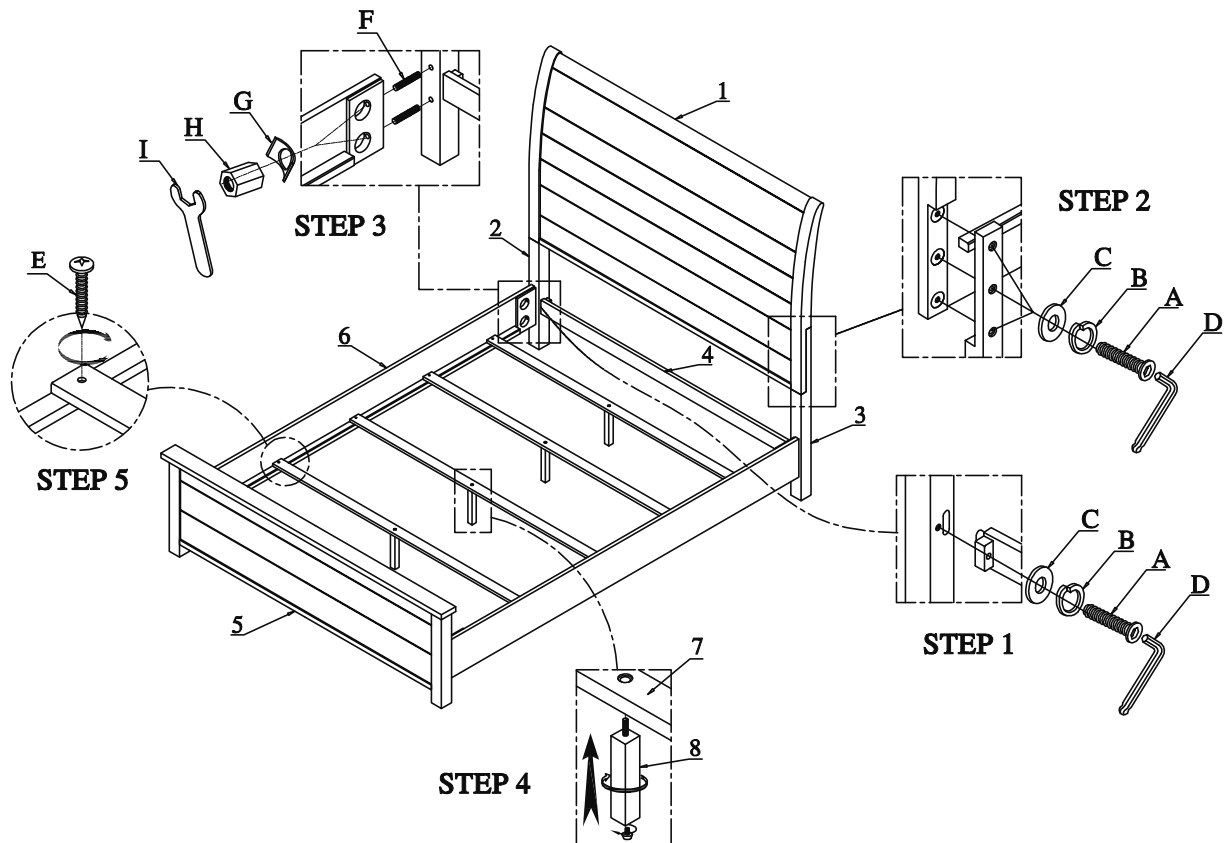


ITEM: 1923-1 QUEEN SLEIGH HEADBOARD 1923-2 QUEEN FOOTBOARD & SLATS 1923-3 QUEEN / EK SIDE RAILS

Thank you for purchasing this quality product. Be sure to check all packing material carefully for small parts which may have come loose inside the carton during shipment. Identify and count all parts and compare with the Parts List below.

! For items use on wooden floor, hard surfaces or carpets, it is recommended to Install protective pads under all legs and supports to avoid/ prevent from damages/ scratches and discoloration.

! Pour les articles Utilisés sur un plancher en bois, des surfaces dures ou tapis, il est recommandé d'installer des mordaches de protection sous tous les jambes et prend en charge pour éviter/empecher de dommages/ rayures et la décoloration.



MADE IN VIETNAM

HARDWARE LIST OF 1923-1

COMPONENT LIST		
1	HEADBOARD	1Pc
2	HEADBOARD LSF LEG	1Pc
3	HEADBOARD RSF LEG	1Pc
4	HEADBOARD BOTTOM RAIL	1Pc
5	FOOTBOARD	1Pc
6	SIDE RAIL	2Pcs
7	SLAT	4Pcs
8	SUPPORT LEG	4Pcs

NO.	DRAWING	DESCRIPTION	QTY
A		Φ5/16"-18x1-3/4" Bolt	8Pcs
B		Φ5/16"*11/32*11/16*1/16 Lock Washer	8Pcs
C		Φ5/16"*11/32*11/16*1/16 Flat Washer	8Pcs
D		Φ5/16" Allen Key	1Pc
HARDWARE LIST OF 1923-2			
NO.	DRAWING	DESCRIPTION	QTY
E		Φ5/16"-18 x 1" Screw	8PCS

HARDWARE LIST OF 1923-3

NO.	DRAWING	DESCRIPTION	QTY
F		Φ5/16"-18x3-1/2" Hanger Bolt	8Pcs
G		Φ5/16" - Arc Washer	8Pcs
H		Φ5/16"*11/32*11/16*1/16 Nut	8Pcs
I		Φ5/16" Open Wrench	1Pc