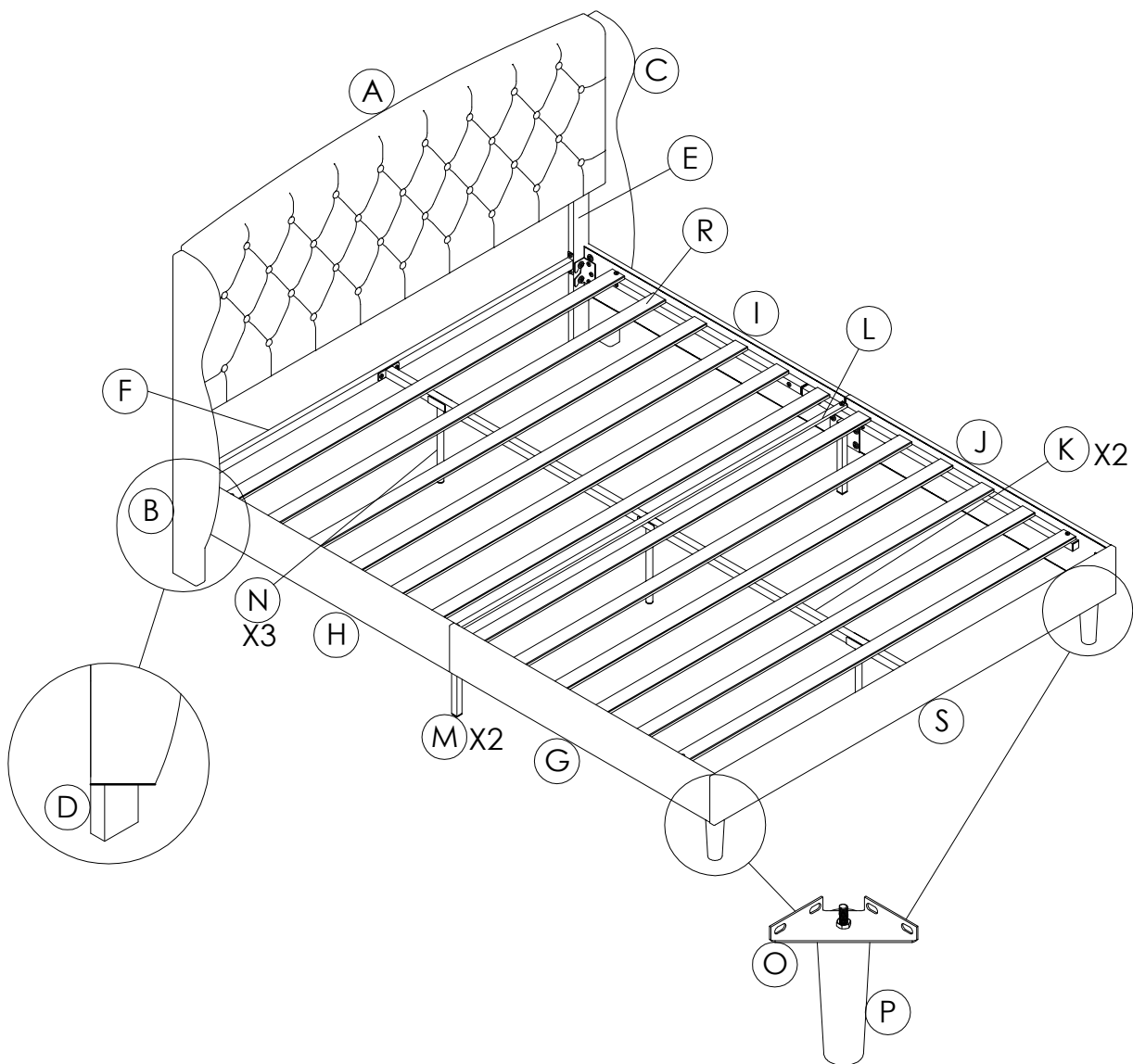
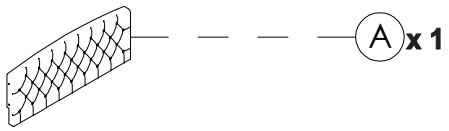


# MONTAGE ANLEITUNG

## HOG101428B-01 Queen Bed Frame



# Components:



Ⓐ x 1



Ⓑ x 1



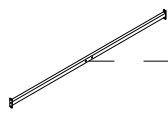
Ⓒ x 1



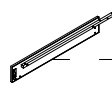
Ⓓ x 1



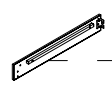
Ⓔ x 1



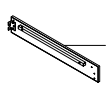
Ⓕ x 1



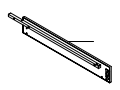
Ⓖ x 1



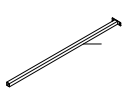
Ⓗ x 1



Ⓘ x 1



Ⓙ x 1



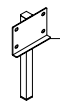
Ⓚ x 2



Ⓛ x 1

# Screws & Tools:

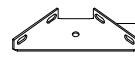
①	1/4"*19mm		x 36
②	1/4"*25mm		x 8
③	1/4"*37mm		x 4
④	1/4"*40mm		x 8
⑤	1/4"		x 26
⑥	1/4"		x 2
⑦	4mm		x 1
⑧			x 1



Ⓜ x 2



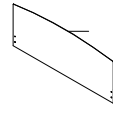
Ⓝ x 3



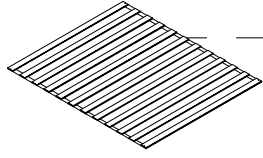
Ⓞ x 2



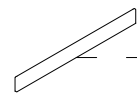
Ⓟ x 2



Ⓠ x 1



Ⓡ x 1



Ⓢ x 1

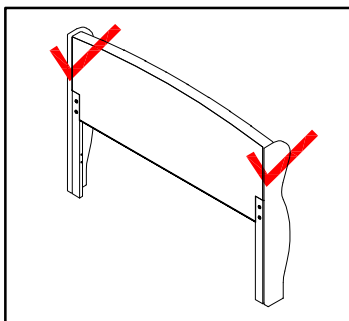
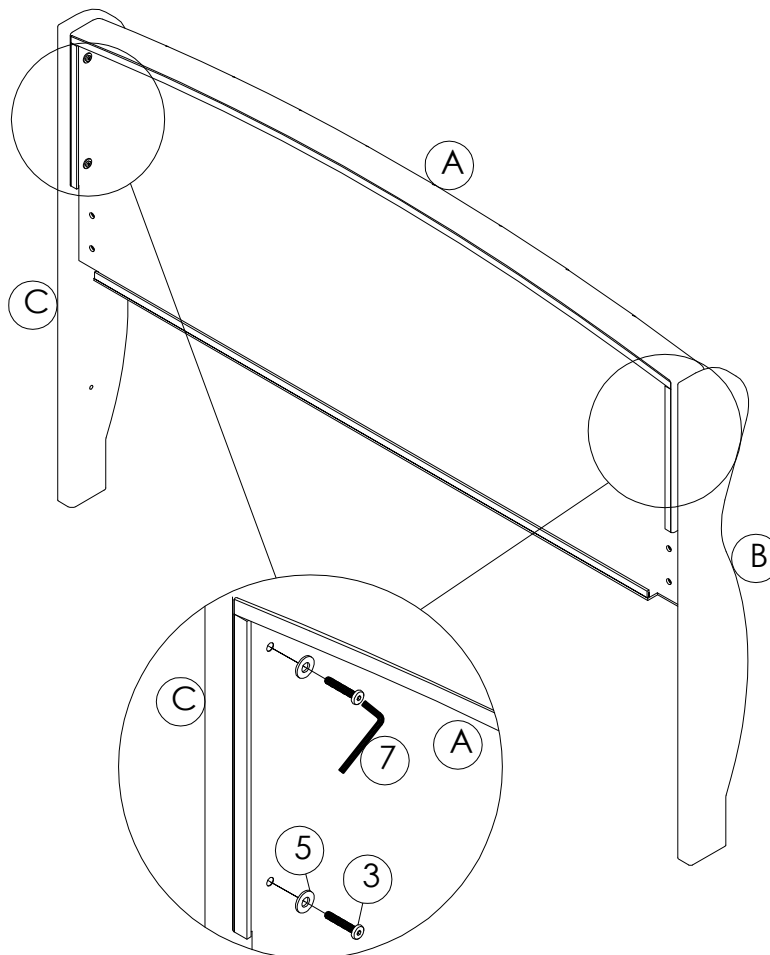
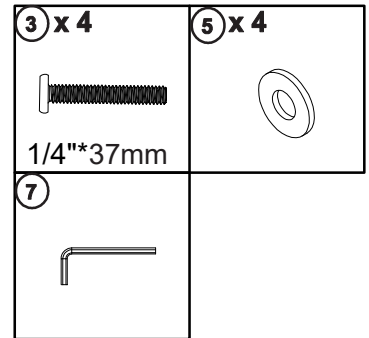
## IMPORTANT!

Please check with "components & screws list" in the manual before start to assembly, make sure you have received all of parts and accessories.




**Note:** In consideration of further modification, we don't suggest to tighten screws at first time too full. After the assembly test is finished, then tighten them one by one please.

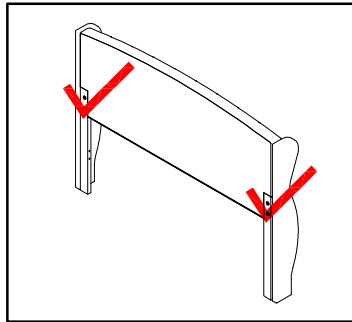
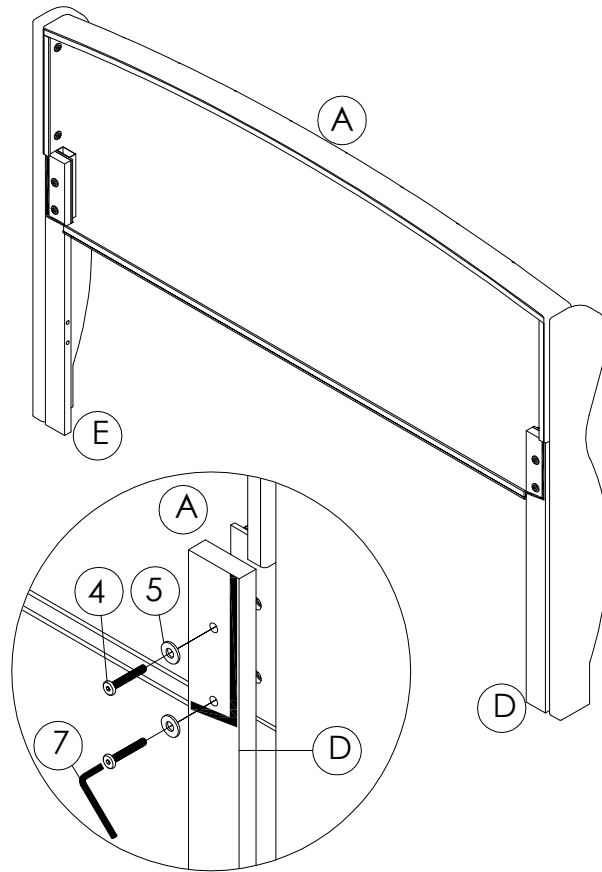
### Step 1

Headboard assembly.

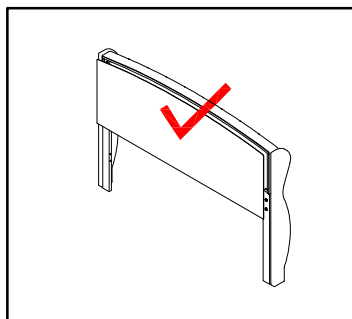
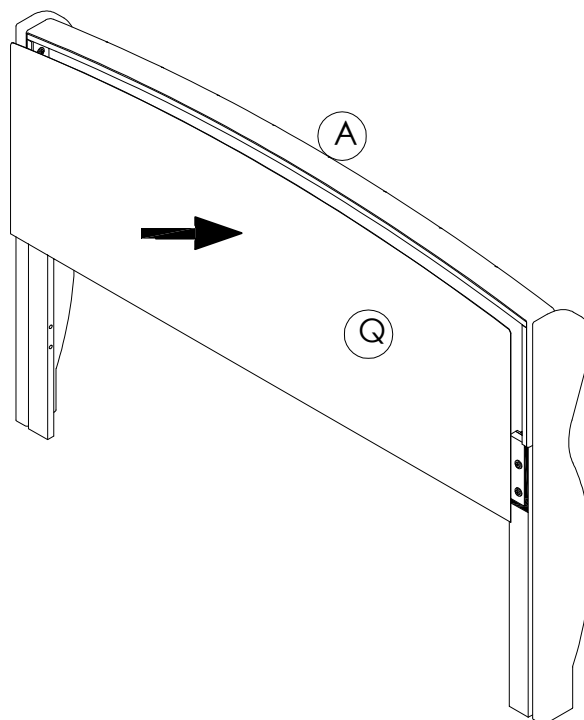


Step 2  
Connect (E) (D) to (A)

4 x 4	5 x 4
	
1/4" x 40mm	
7	
	



Step 3  
Connect (Q) to (A)



### Step 4

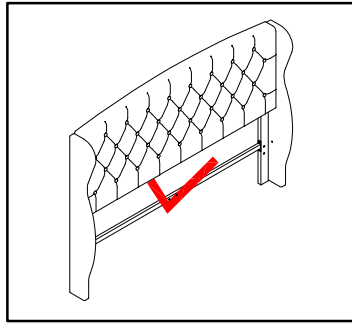
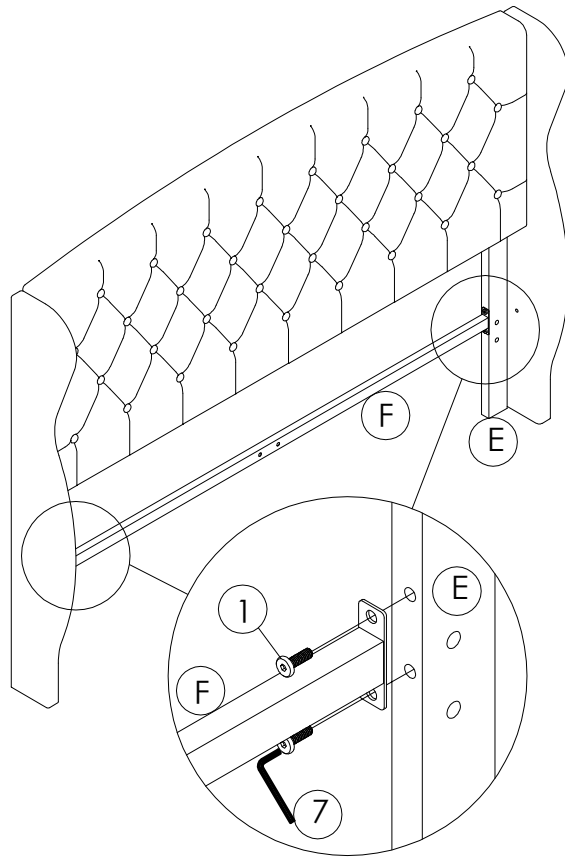
Connect **F** to **D** **E**

**1** x **4**



1/4" x 19mm

**7**



### Step 5

Connect **M** to **J** **I** **H** **G**

**1** x **8**



1/4" x 19mm

**4** x **2**

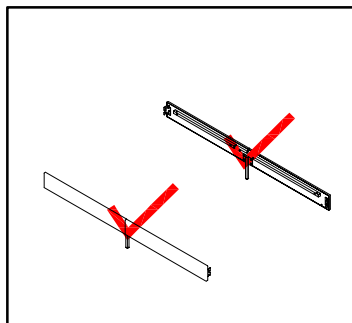
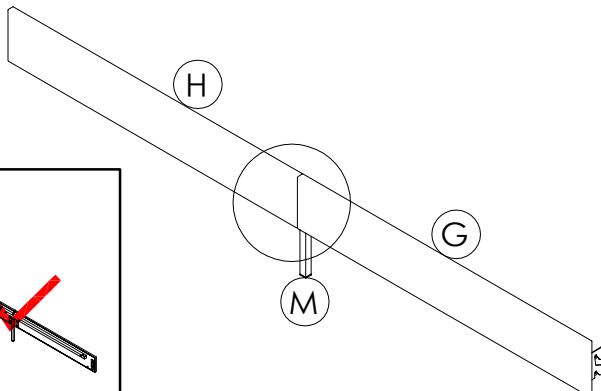
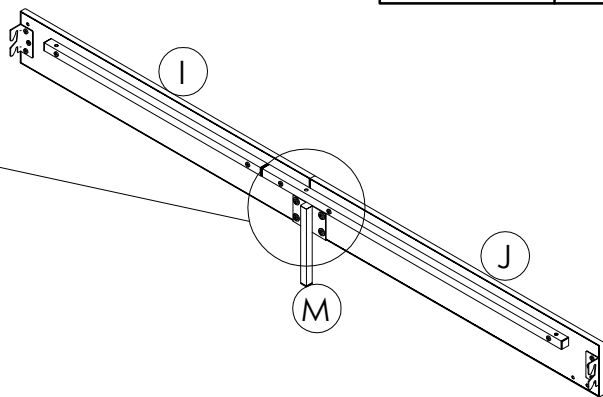
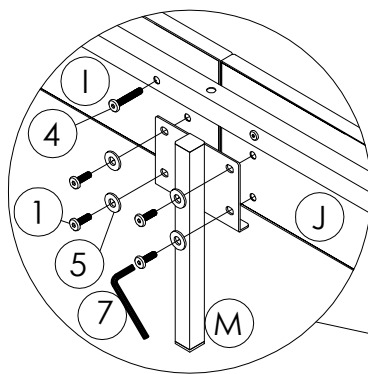


1/4" x 40mm

**5** x **8**

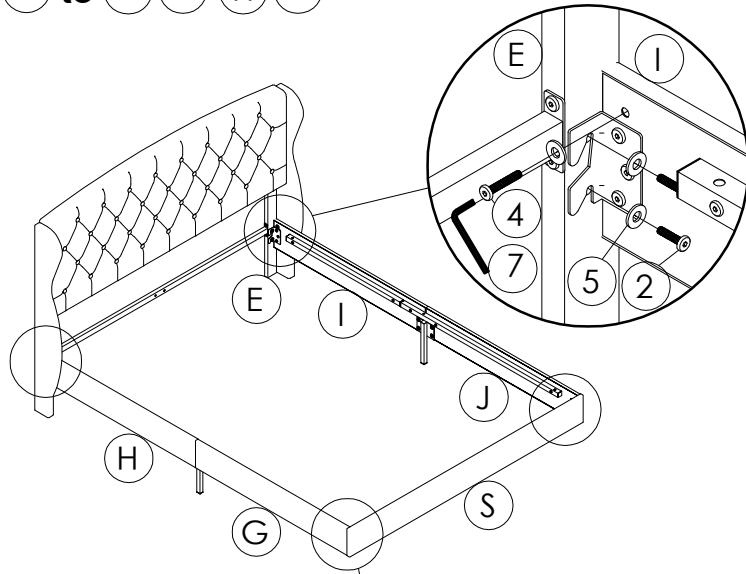



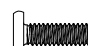



**7**

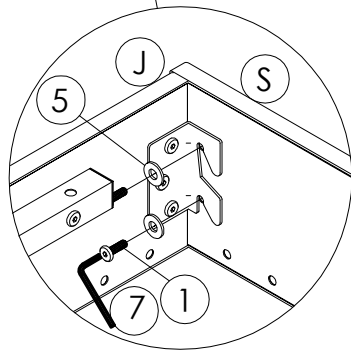
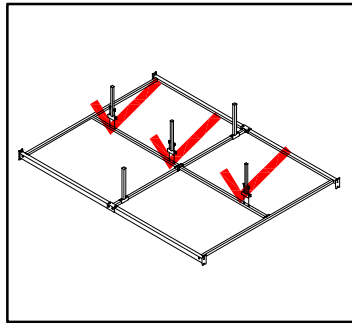


### Step 6

Connect (D) (E) (S) to (J) (I) (H) (G)




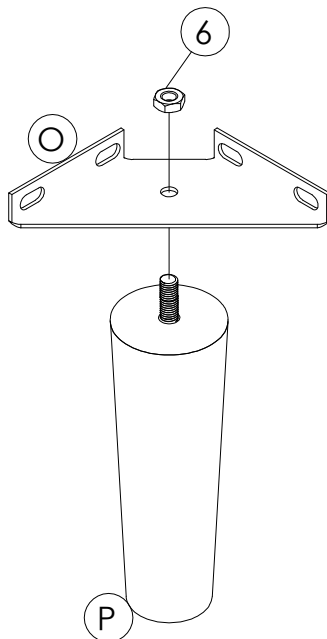
<b>1 x 6</b>  1/4" x 19mm	<b>2 x 4</b>  1/4" x 25mm
<b>4 x 2</b>  1/4" x 40mm	<b>5 x 10</b> 
<b>7</b> 	



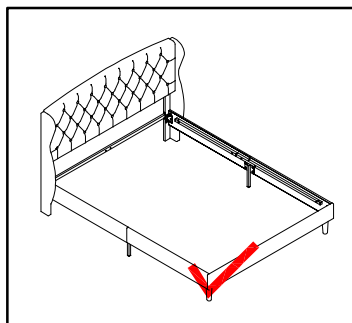
### Step 7

Connect (B) to (O)

<b>6 x 2</b> 
---





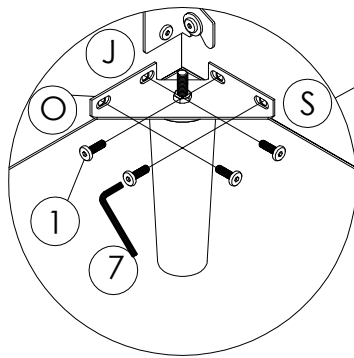
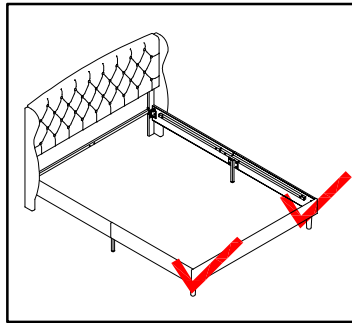
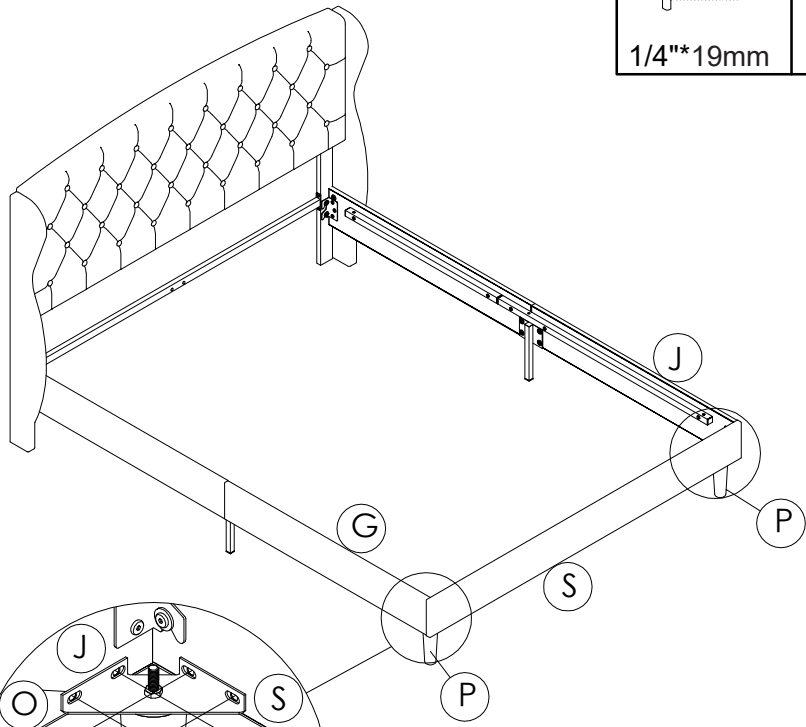
X 2



### Step 8



Connect **O** to **J** **G** **S**

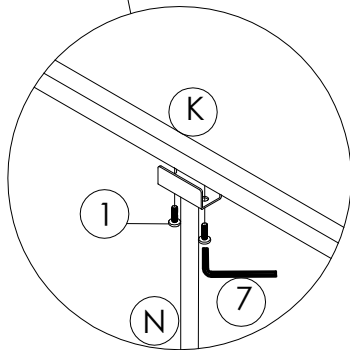
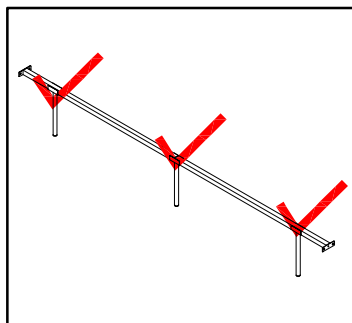
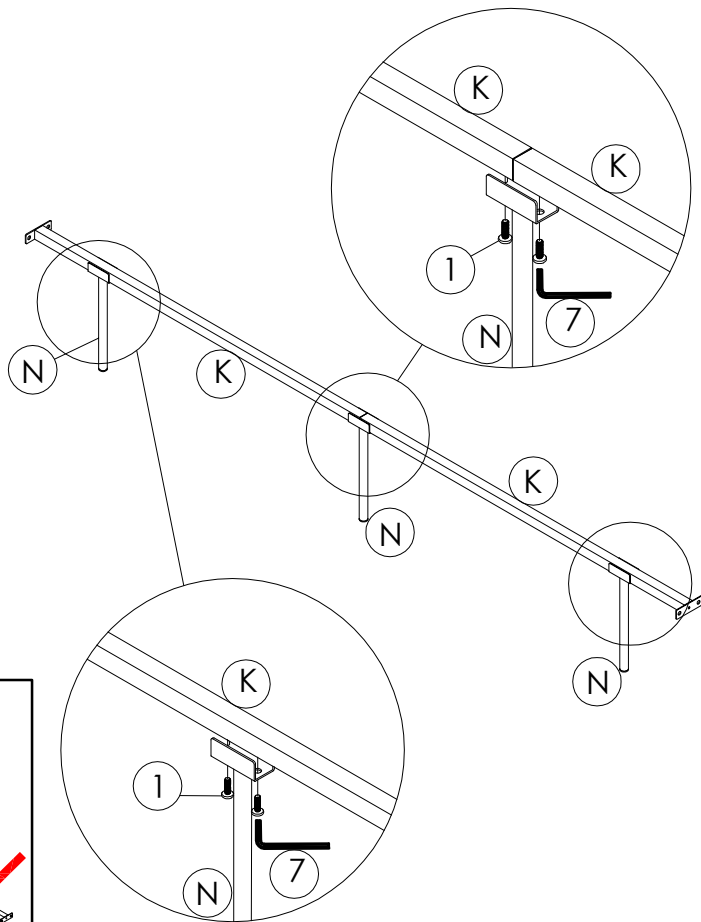
<b>1 x 8</b>  1/4" x 19mm	<b>7</b> 
--	---



### Step 9

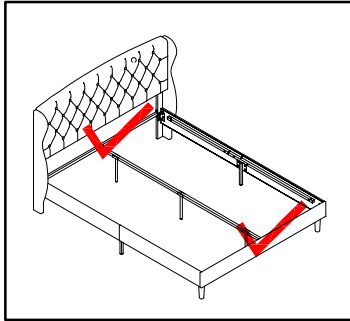
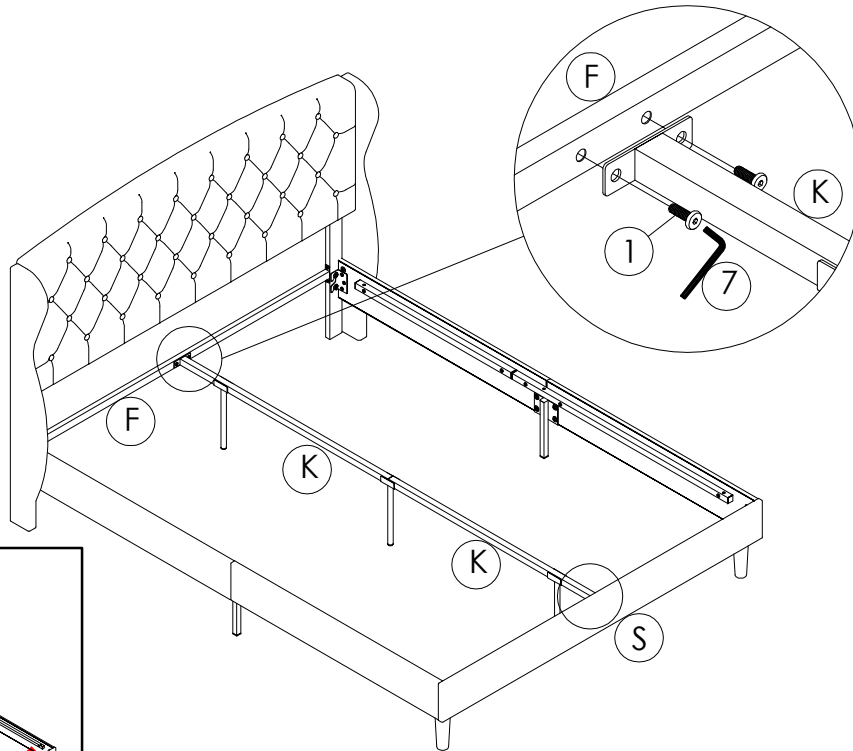
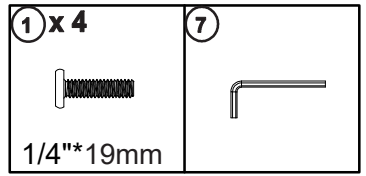
Connect **N** to **K**

<b>1 x 6</b>  1/4" x 19mm	<b>7</b> 
--	---



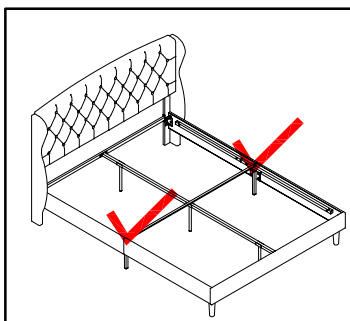
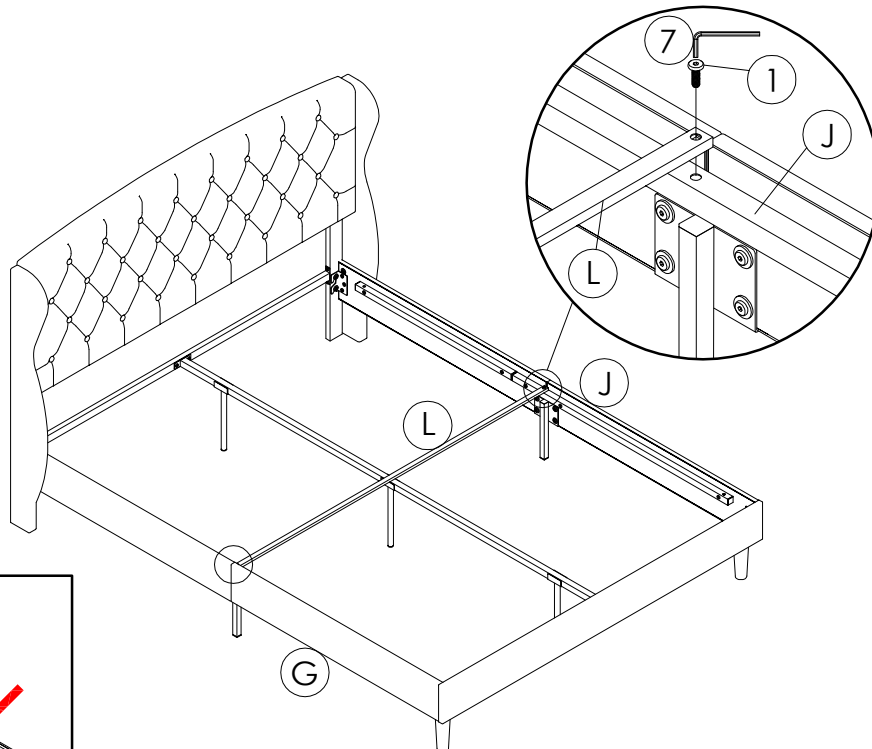
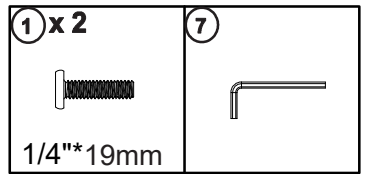
### Step 10

Connect (K) to (F) (S)



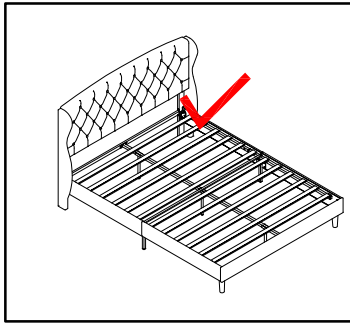
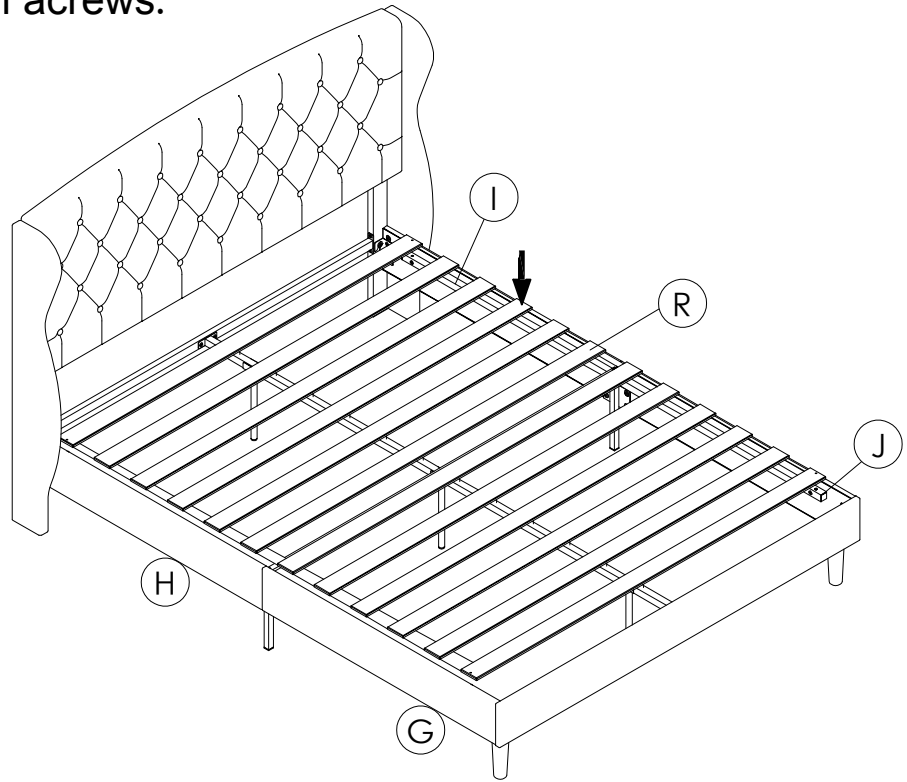
### Step 11

Connect (L) to (G) (J)

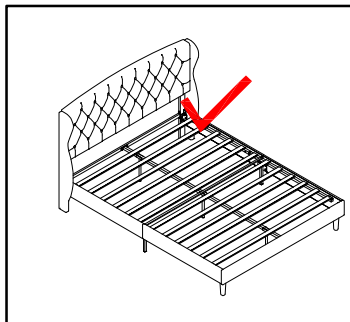
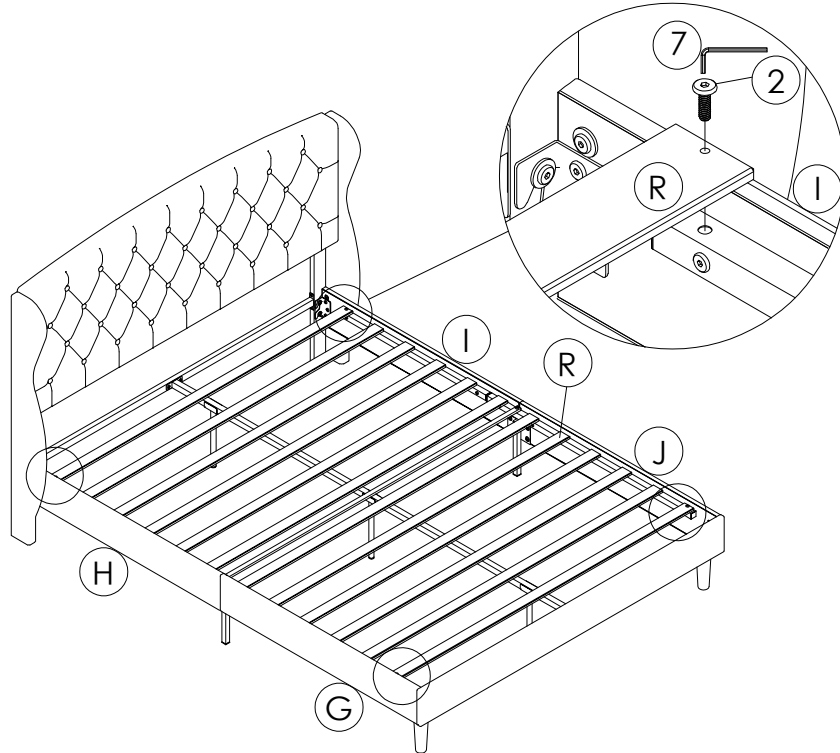
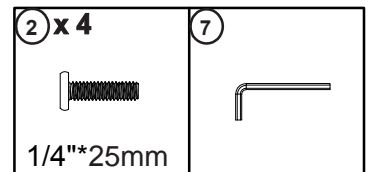




**Step 12**  
Check and tighten all acrews.



**Step 13**  
Connect (R) to (G) (H) (I) (J)



For items use on wooden floor, hard surfaces or carpets, it is recommended to install protective pads under all legs and supports to avoid/prevent from damages/scratches and discoloration.