



HOMÉLEGANCE

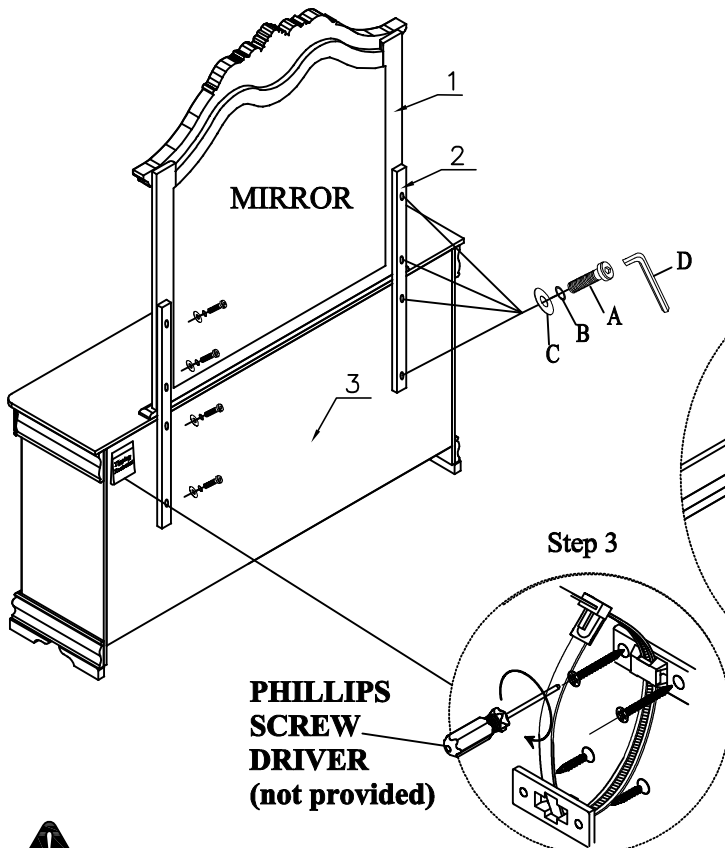
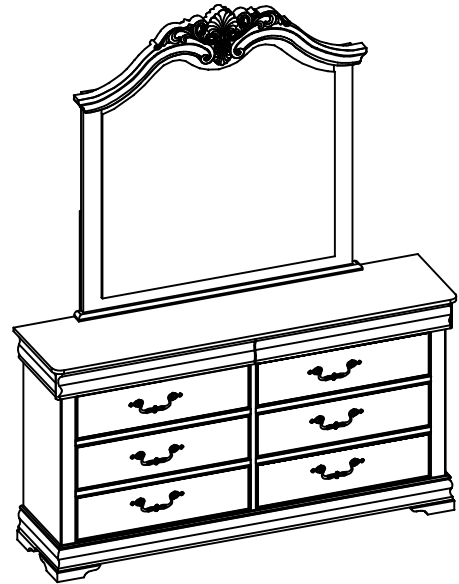
ASSEMBLY INSTRUCTION

ITEM NO: 1869 - 5 DRESSER & 1869 - 6 MIRROR

Thank you for purchasing this quality product. Be sure to check all packing material carefully for small parts that may have come loose inside the carton during shipment.

Hardware pack packed with Mirror.

PART LISTS				HARDWARE LISTS				
NO.	Description	Sketch	Q'ty	NO.	Description	Sketch	Size	Q'ty
1	MIRROR		1PC	A	BOLT		1/4"*32mm	8PCS
2	DRESSER		1PC	B	SPRING WASHER		Ø1/4"*10D*1.1	8PCS
3	MIRROR SUPPORTS (PACKED WITH MIRROR)		2PCS	C	FLAT WASHER		1/4"*22D*2	8PCS
				D	ALLEN KEY		4mm	1PC
				E	TIPPING RESTRAINT			1SET



Step 1

Step 2

Step 3

PHILLIPS
SCREW
DRIVER
(not provided)



For items use on wooden floor, hard surfaces or carpets, it is recommended to install protective pads under all legs and supports to avoid/prevent from damages/scratches and discoloration

MADE IN VIETNAM