

Assembly Instruction

ITEM#: 1718GY-9 CHEST



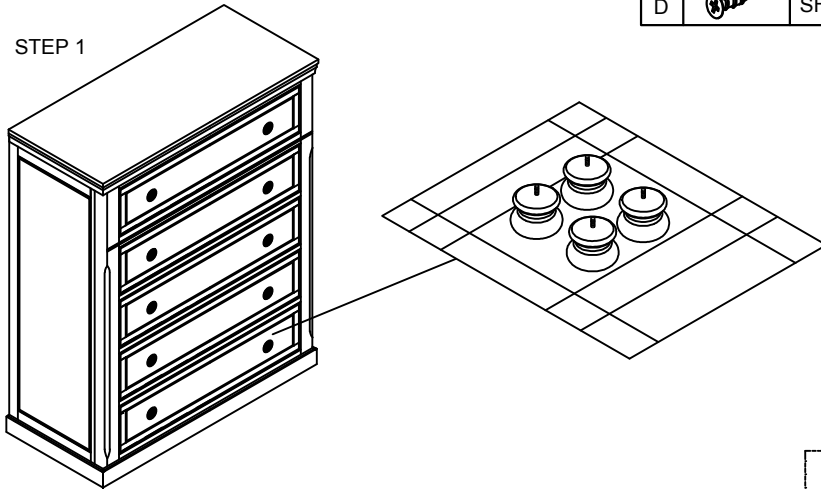
PART LIST

1	CHEST	1PC
2	BUN FOOT	4PCS

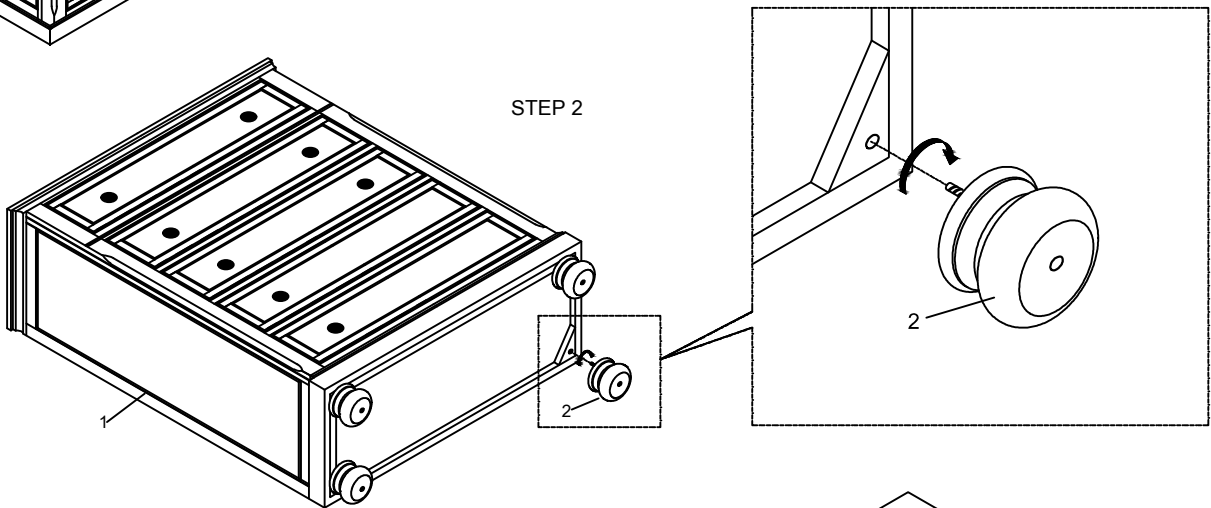
ANTI-TIPPING HARDWARE PACK

A		BRACKET	2PCS
B		TIE WRAP	1PC
C		LONG SCREW 6#x1-1/2"L	1PC
D		SHORT SCREW 6#x3/4"L	1PC

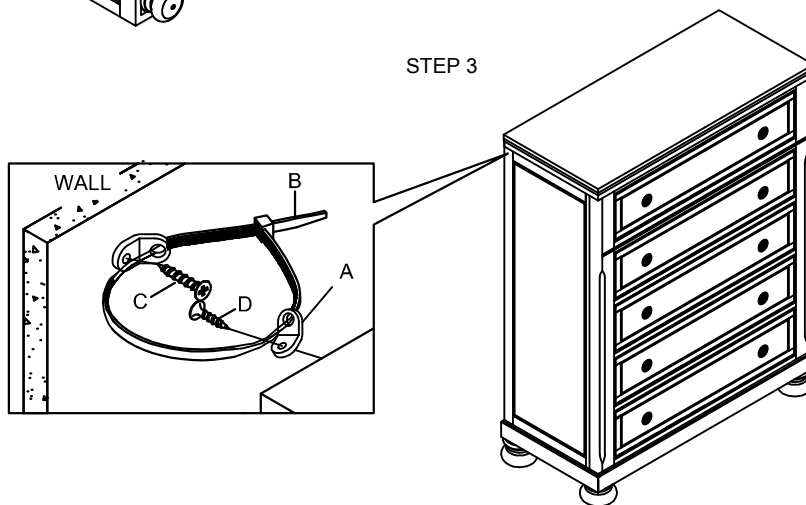
STEP 1



STEP 2



STEP 3



Assembly completed



**For items use on wooden floor hard surfaces or carpets
It is recommended to install protective pads under all legs and supports
to avoid/prevent from damages/scratches and discoloration**

MADE IN VIETNAM