

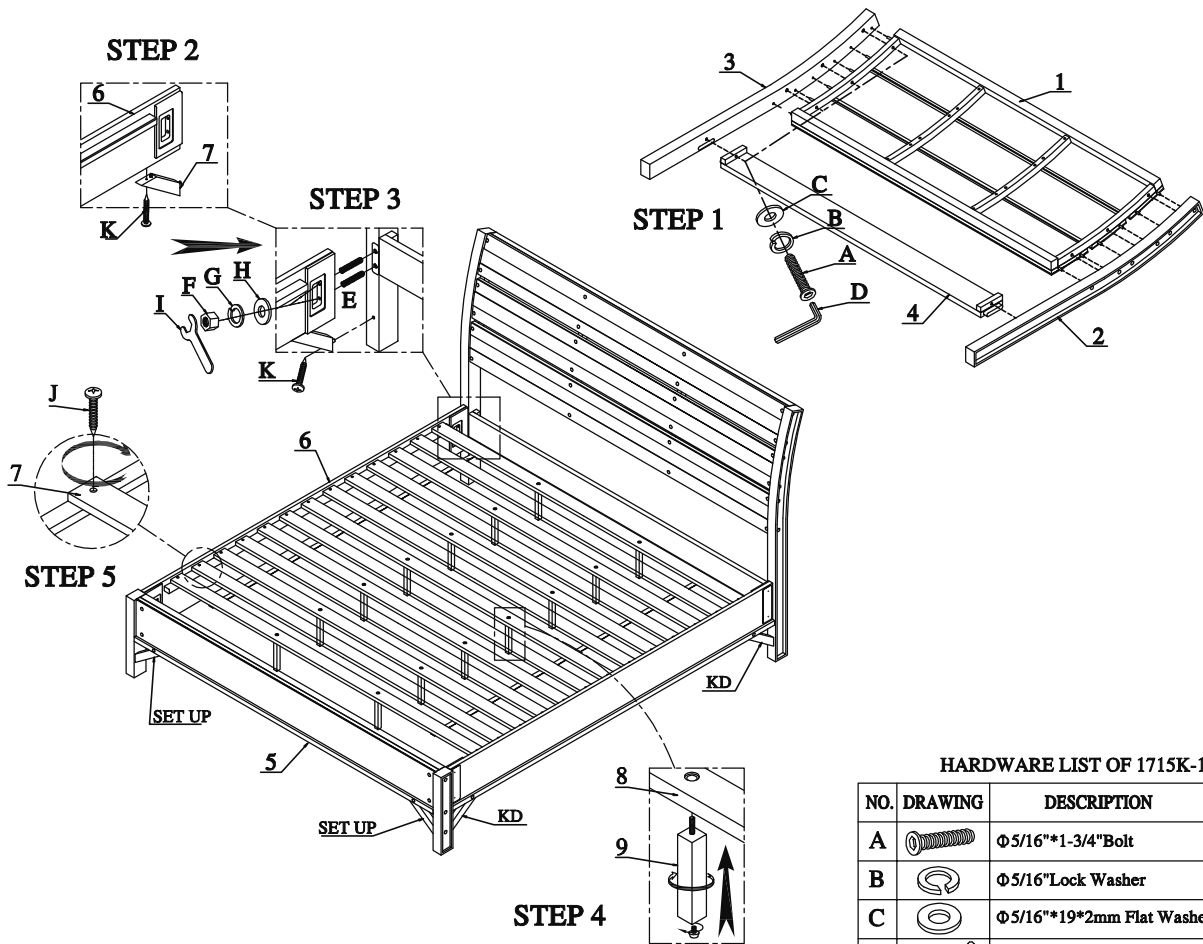


# ITEM: 1715K-1CK CK HEADBOARD 1715K-2CK CK FOOTBOARD 1715K-3CK CK RAIL W/13PC SLATS

Thank you for purchasing this quality product. Be sure to check all packing material carefully for small parts which may have come loose inside the carton during shipment. Identify and count all parts and compare with the Parts List below.

**!** For items use on wooden floor, hard surfaces or carpets, it is recommended to Install protective pads under all legs and supports to avoid/ prevent from damages/ scratches and discoloration.

**!** Pour les articles Utilisés sur un plancher en bois, des surfaces dures ou tapis, il est recommandé d'installer des mordaches de protection sous tous les jambes et prend en charge pour éviter/empêcher de dommages/ rayures et la décoloration.



HARDWARE LIST OF 1715K-1CK

NO.	DRAWING	DESCRIPTION	QTY
A		Φ5/16"*1-3/4" Bolt	10Pcs
B		Φ5/16" Lock Washer	10Pcs
C		Φ5/16"*19*2mm Flat Washer	10Pcs
D		5mm Allen Key	1Pc

HARDWARE LIST OF 1715K-3CK

NO.	DRAWING	DESCRIPTION	QTY
E		Φ5/16"*3-1/2" Hanger Bolt	8Pcs
F		Φ5/16" Nut	8Pcs
G		Φ5/16" Lock Washer	8Pcs
H		Φ5/16"*16*2mm Flat Washer	8Pcs
I		Φ5/16" Open Wrench	1Pc
J		#8*1" Screw	26Pcs
K		#8*1-1/4" Screw	8Pcs

COMPONENT LIST

NO.	DESCRIPTION	QTY
1	HEADBOARD	1Pc
2	HEADBOARD LEFT LEG	1Pc
3	HEADBOARD RIGHT LEG	1Pc
4	HEADBOARD BOTTOM RAIL	1Pc
5	FOOTBOARD	1Pc
6	SIDE RAIL	2Pcs
7	SIDE RAIL POST	4Pcs
8	SLAT	13Pcs
9	SLAT SUPPORT LEG	14Pcs

MADE IN VIETNAM