



HOME ELEGANCE

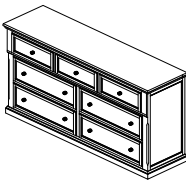

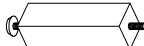
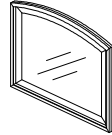

ASSEMBLY INSTRUCTION

ITEM NO: 1714W-5/1714BK-5: DRESSER

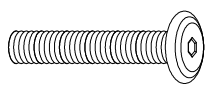

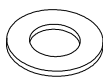


1714W-6/1714BK-6: MIRROR

Thank you for purchasing this quality product. Be sure to check all packing material carefully for small parts that may have come loose inside the carton during shipment.

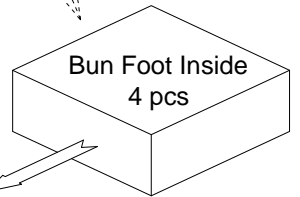
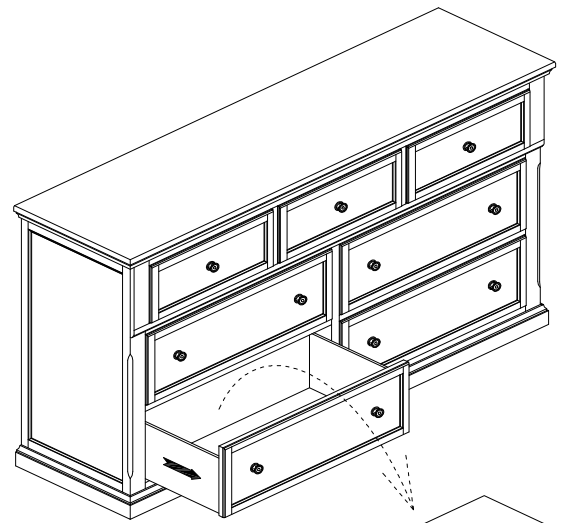
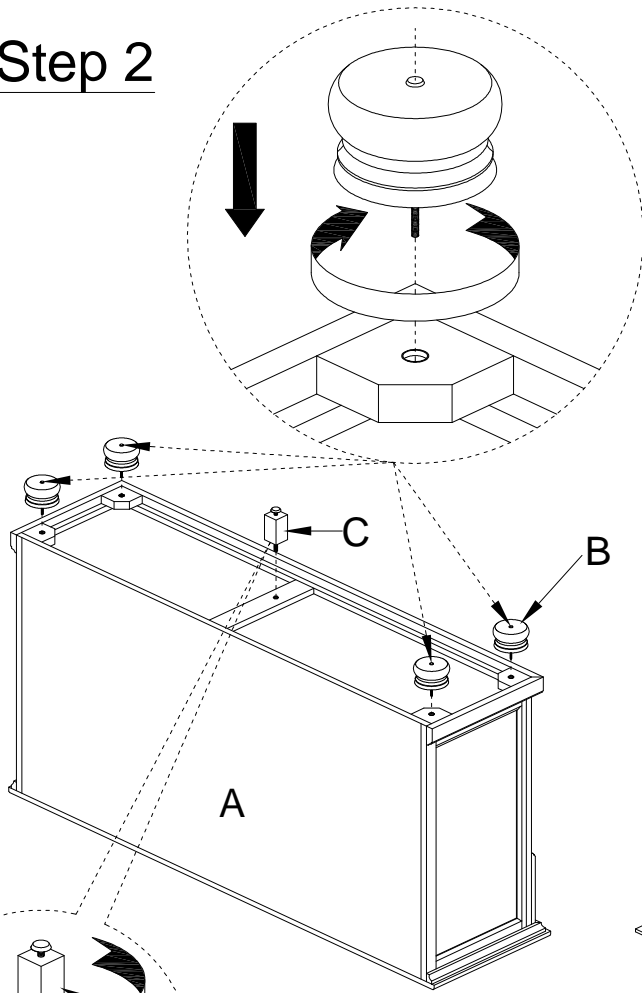
PART LISTS

NO	Description	Sketch	Q'ty
A	DRESSER		1 PC
B	BUN FOOT		4 PCS
C	CENTER SUPPORT LEG		1 PC
D	MIRROR		1 PC
E	MIRROR SUPPORT BAR (PACKED WITH MIRROR)		2 PCS

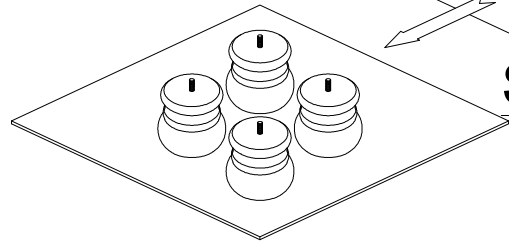
HARDWARE PACK (PUT IN 1714W-6/BK-6 CARTON)

NO	Description	Sketch	Size	Q'ty
1	BOLT		1/4"-20 x 1-3/8"	8 PCS
2	SPRING WASHER		1/4"ID x 2/5"OD x 0.062"TK	8 PCS
3	FLAT WASHER		9/32"ID x 3/4"OD x 0.078"TK	8 PCS
4	ALLEN KEY		1/6"	1 PC
5	TIPPING RESTRAINT			1 SET

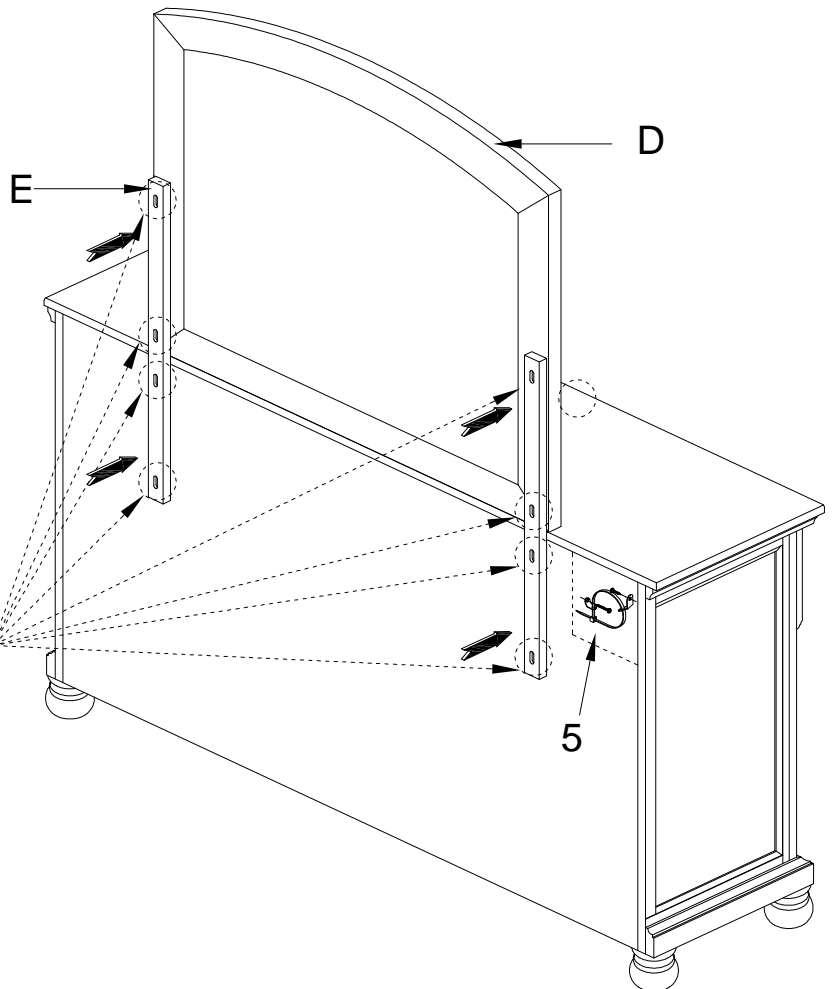
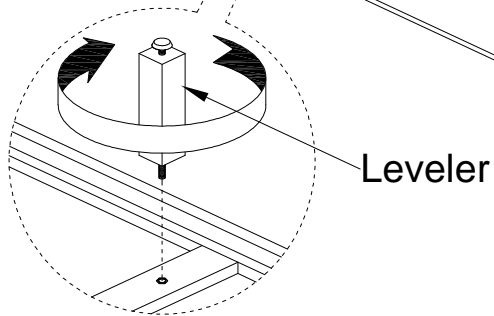
Step 2



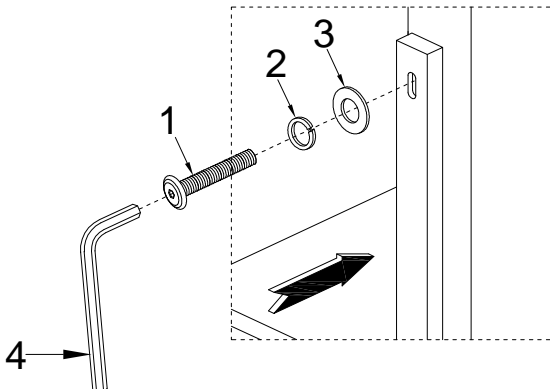
Step 1



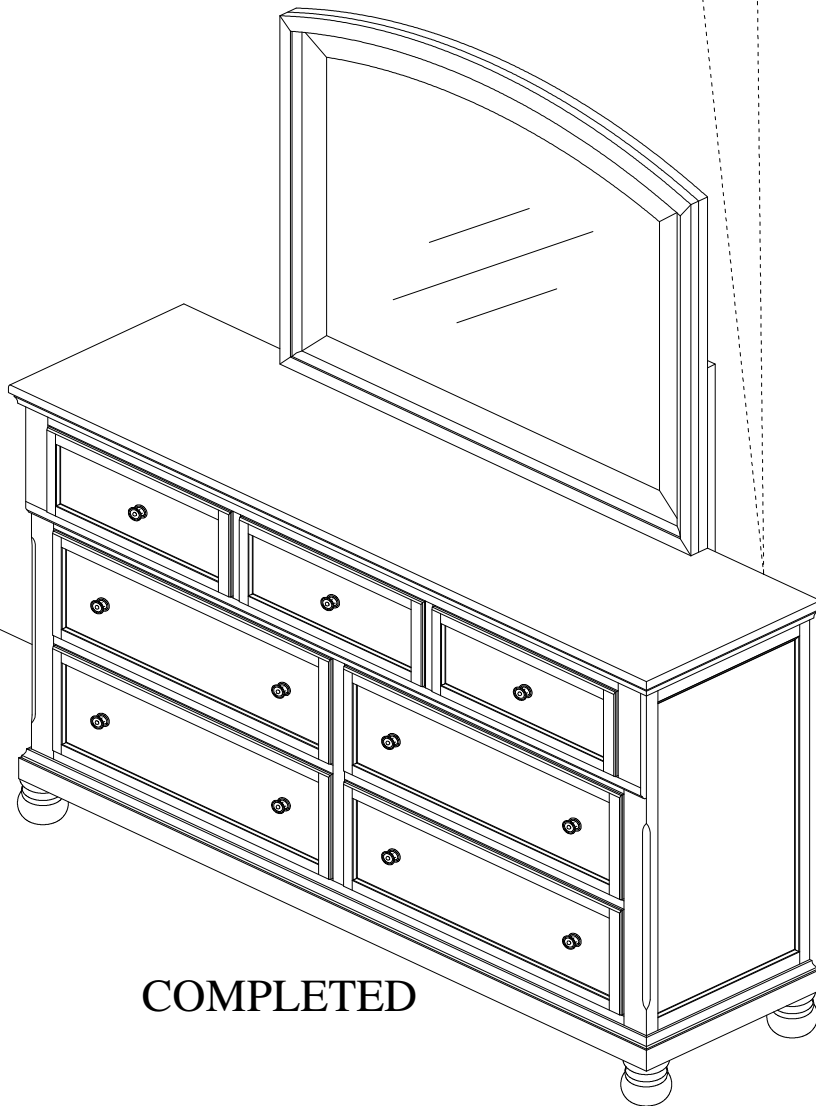
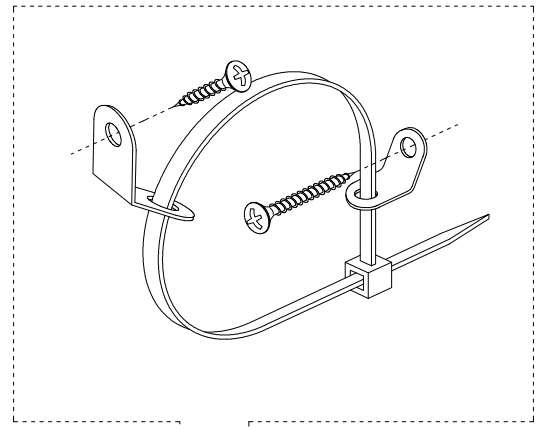
Step 3



Step 4




WALL



COMPLETED

 It is recommended to install protective pads under all legs and supports to avoid damage or scratches when placing furniture on a wood floor or other hard surface, and to limit indentation and prevent discoloration if placing on carpet.

 Il est recommandé de placer des coussins protecteurs sous tous les pieds et toutes les bases des meubles pour éviter d'endommager ou d'égratigner les planchers en bois ou autres surfaces dures ,et pour limiter l'empreinte et empêcher la décoloration quand les meubles reposent sur la moquette.