



# ASSEMBLY INSTRUCTION

1630T-1/1630WHT-1 TWIN METAL BED

HOME ELEGANCE

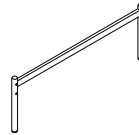
## PART LIST:



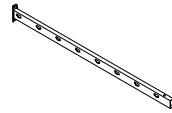
A: HEADBOARD LEGS  
1PC



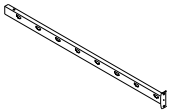
B: HEADBOARD LEGS  
1PC



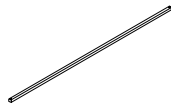
C: FOOTBOARD  
1PC



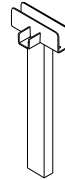
D: SIDE RAIL  
2PCS



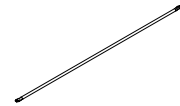
E: SIDE RAIL  
2PCS



F: CENTER CROSS BAR  
1PC



G: CENTER SLAT  
SUPPORT LEG  
2PCS



H: SLAT  
16PCS



I: SLAT CONNECTOR  
32PCS



J: HEADBOARD  
1PC

## HARDWARE SET:



1: Bolt  
1/4\*17.5mm  
X 6pcs



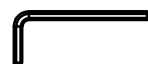
2: Bolt  
5/16\*19mm  
X 8pcs



3: Bolt  
5/16\*48mm  
X 4pcs



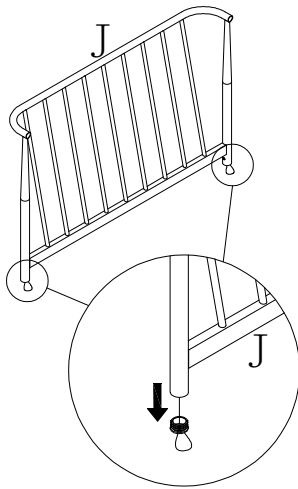
4: Bolt  
1/4\*35mm  
X 2pcs



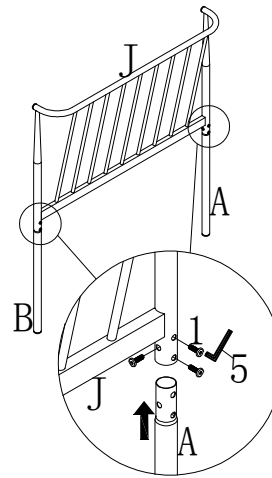
5: Allen Key  
X 1pc

Note: Please do not tighten all bolts until the bed is assembled completely.

STEP 1

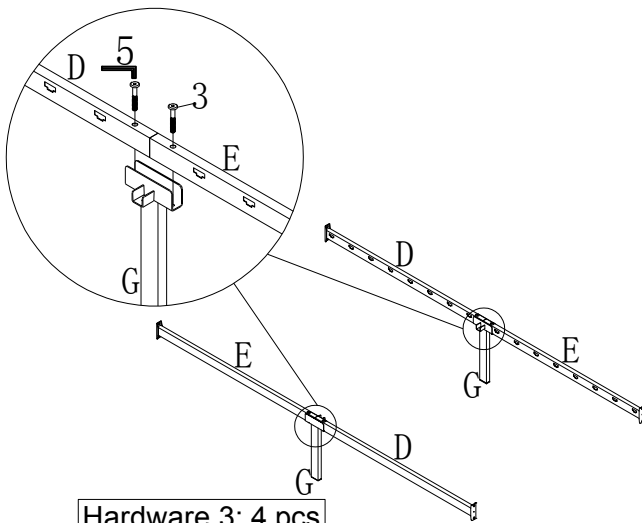


STEP 2



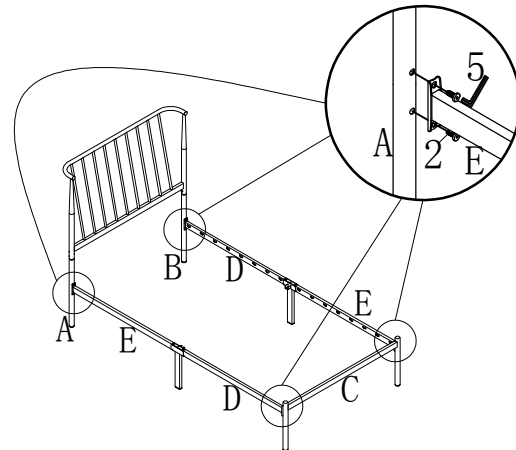
Hardware 1: 6 pcs

STEP 3



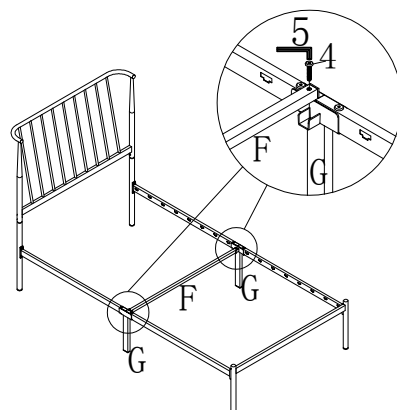
Hardware 3: 4 pcs

STEP 4



Hardware 2: 8 pcs

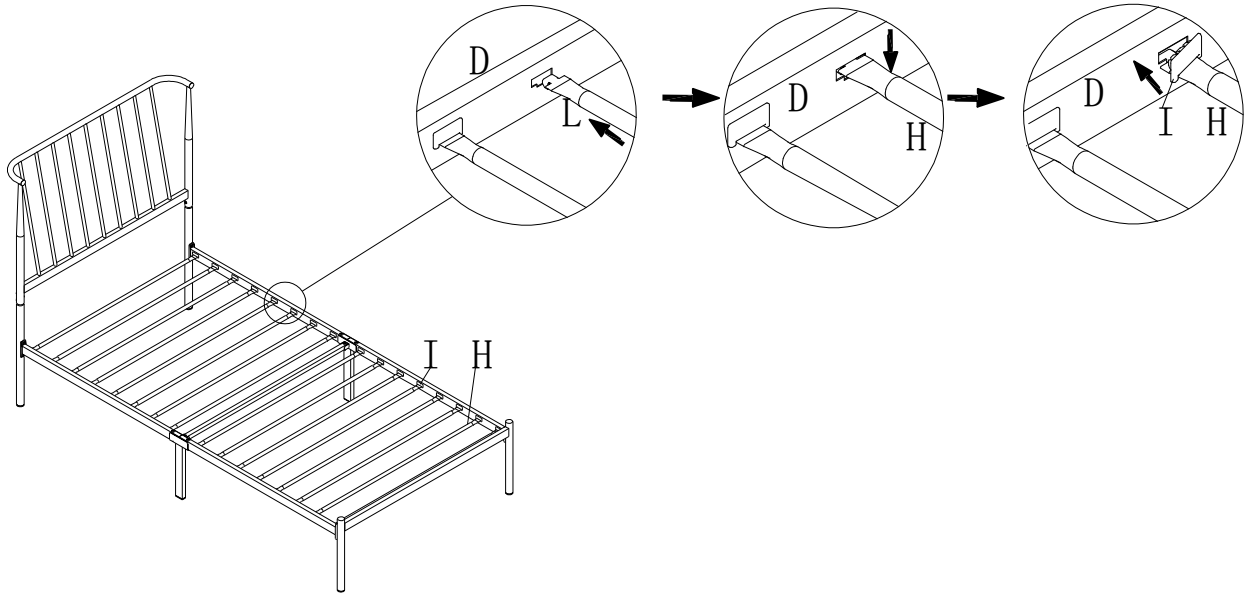
STEP 5



Hardware 4: 2 pcs

Note: Please do not tighten all bolts until the bed is assembled completely.

## STEP 6



## COMPLETED



For items use on wooden floor, hard surfaces or carpets, it is recommended to Install protective pads under all legs and supports to avoid/prevent from damages/scratches and discoloration.