



Assembly Instruction

ITEM#: 1575K-1 EK/CK HEADBOARD

1575K-2 EK/CK FOOTBOARD W/(18) SLATS & (12) SUPPORT LEGS

1575K-3CK CK SIDE RAILS WITH TOP CROWN

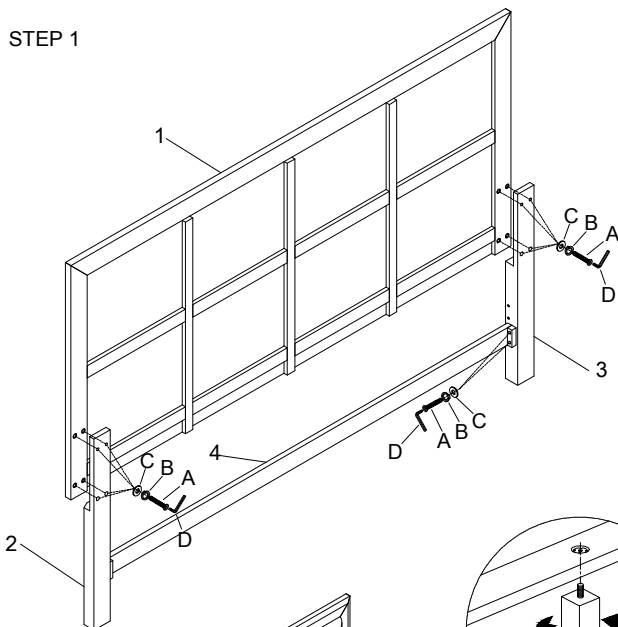
PART LIST

1	HEADBOARD	1 PC
2	HEADBOARD POST LSF	1 PC
3	HEADBOARD POST RSF	1 PC
4	STRETCHER	1 PC
5	FOOT BOARD	1 PC
6	RAIL	2 PCS
7	SLAT	18 PCS
8	SLAT SUPPORT LEG	12 PCS

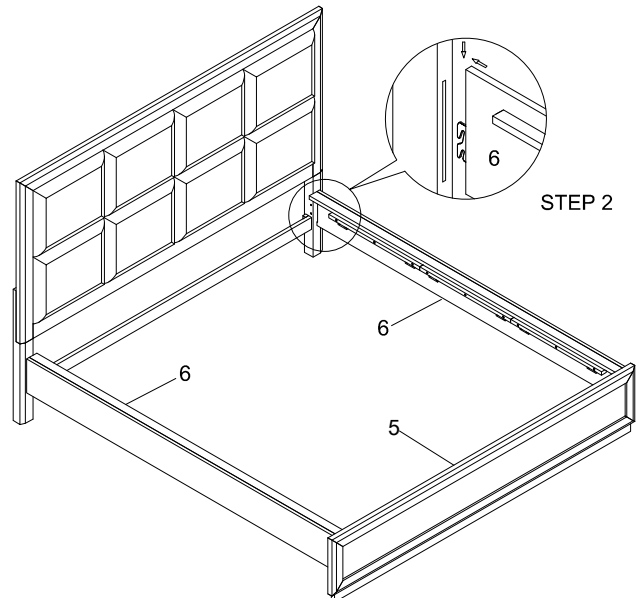
HARDWARE LIST IN -1

A		BOLT $\varnothing 5/16$ "x1-1/2"L	12 PCS
B		SPRING WASHER $\varnothing 1/2$ "x $\varnothing 5/16$ "	12 PCS
C		FLAT WASHER $\varnothing 3/4$ "x $\varnothing 5/16$ "	12 PCS
D		ALLEN KEY 5/16"	1 PC
E		SCREW #8x1-1/4"	20 PCS

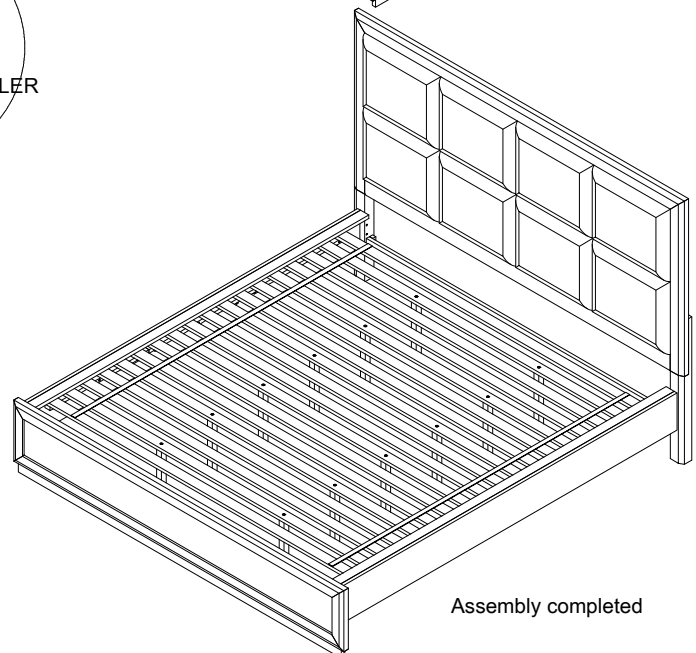
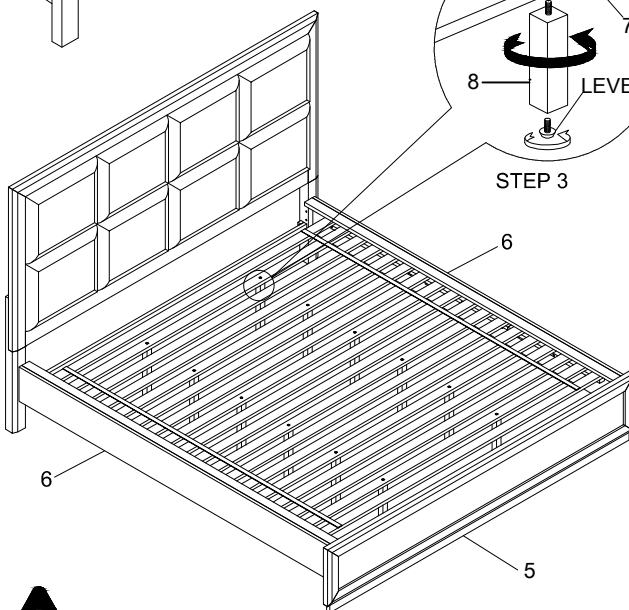
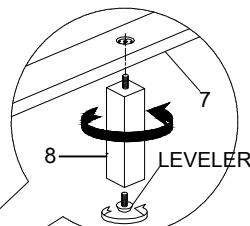
STEP 1



STEP 2



STEP 3



Assembly completed



**For items use on wooden floor hard surfaces or carpets
It is recommended to install protective pads under all legs and supports
to avoid/prevent from damages/scratches and discoloration**

MADE IN VIETNAM