



HOMELEGANCE

# ASSEMBLY INSTRUCTION

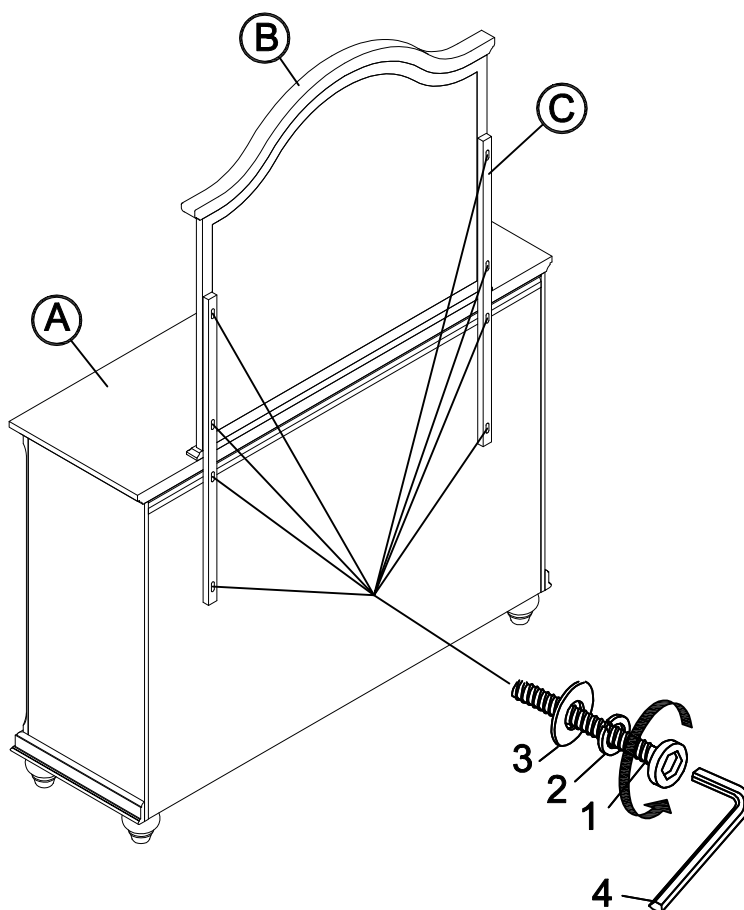
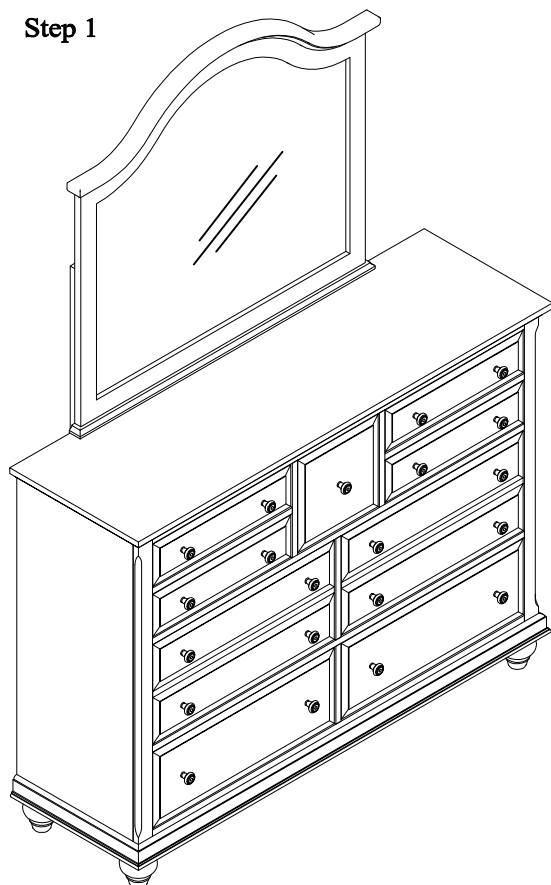
ITEM NO: 1568 - 6 MIRROR

Thank you for purchasing this quality product. Be sure to check all packing material carefully for small parts that may have come loose inside the carton during shipment.

PART LIST			
NO.	Description	Sketch	Q'ty
A	DRESSER		1PC
B	MIRROR		1PC
C	SUPPORT		2PCS

HARDWARE LISTS				
NO.	Description	Sketch	Size	Q'ty
1	BOLT		1/4"*38mm	8PCS
2	SPRING WASHER		Ø1/4"*10mm	8PCS
3	FLAT WASHER		Ø1/4"*19mm	8PCS
4	ALLEN KEY		4mm	1PC

Step 1



Assembly completed



It is recommended to install protective pads under all legs and supports to avoid damage or scratches when placing furniture on a wood floor or other hard surface, and to limit indentation and prevent discoloration if placing on carpet.

MADE IN VIETNAM