










# ASSEMBLY INSTRUCTION

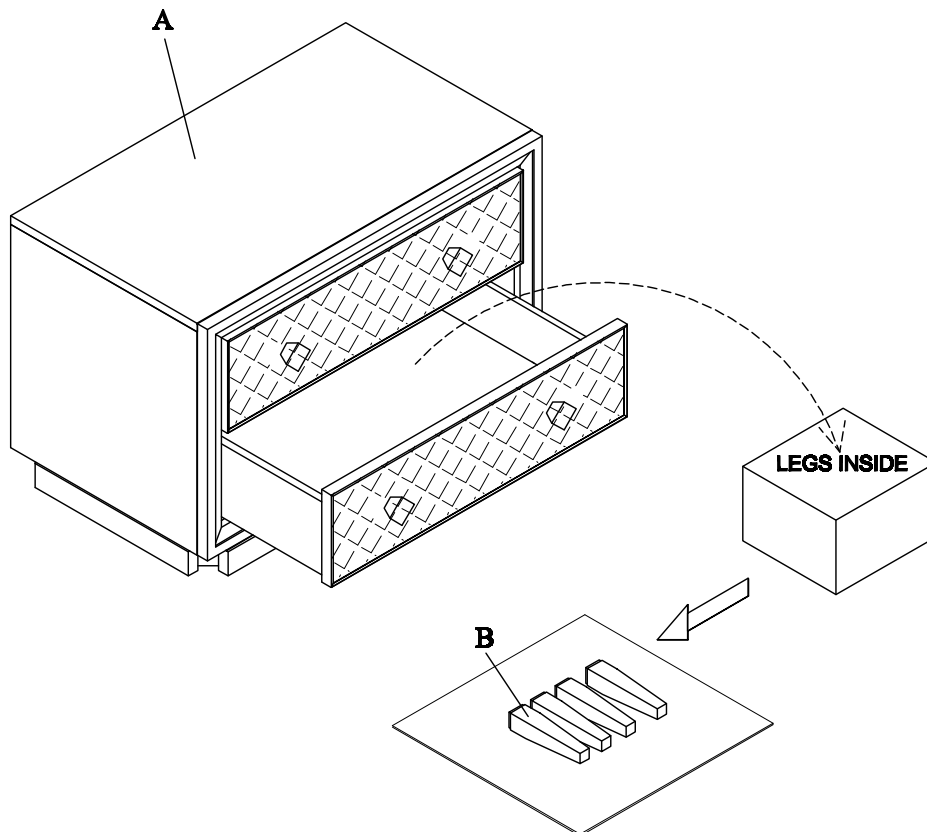
ITEM NO: 1566-4 NIGHTSTAND  
1566GY-4 NIGHTSTAND

**Thank you for purchasing this quality product. Be sure to check all packing material carefully for small parts that may have come loose inside the carton during shipment.**

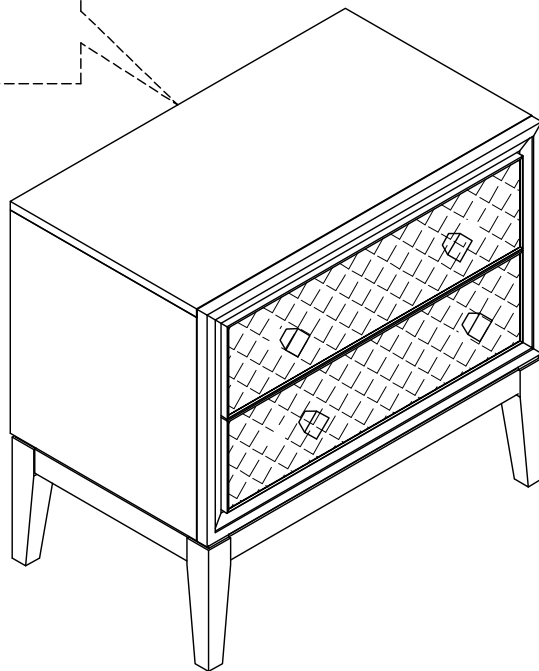
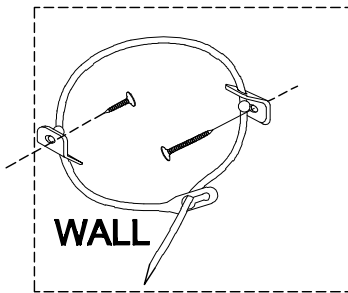
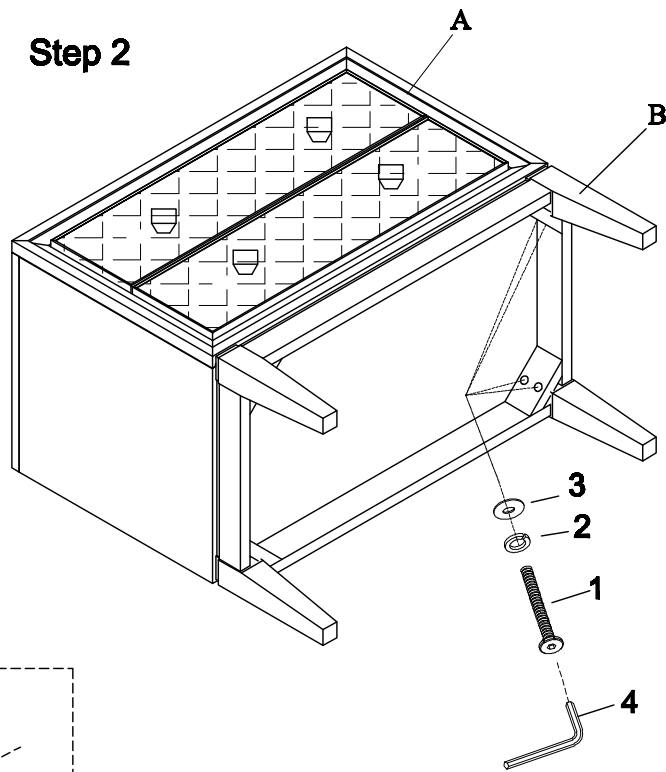
PART LIST			
NO.	Description	Sketch	Q'ty
A	NIGHT STAND		1PC
B	LEG		4PCS

HARDWARE LIST				
NO.	Description	Sketch	Size	Q'ty
1	BOLT		5/16"-18x2"	8PCS
2	SPRING WASHER		5/16"Dx1/2"ODx1/16"TK	8PCS
3	FLAT WASHER		5/16"Dx3/4"ODx1/16"TK	8PCS
4	ALLEN KEY		1/6"	1PC
5	Tipping restraint			1SET

## Step 1



## Step 2



**COMPLETED**



It is recommended to install protective pads under all legs and supports to avoid damage or scratches when placing furniture on a wood floor or other hard surface, and to limit indentation and prevent discoloration if placing on carpet.

**MADE IN VIETNAM**