




**PARTS LIST/ LISTE DES PIÈCES/ LISTA DE PIEZAS
ITEM / NO D'ARTICLE / ARTICULO NO.: 1497-4**

DESCRIPTION / DESCRIPCIÓN : NIGHTSTAND / TABLE DE CHEVET / MESA DE NOCHE

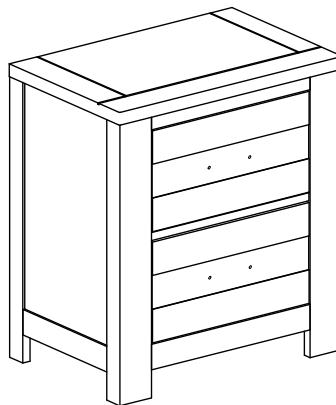
WARNING



Children have died from furniture tipover. To reduce the risk of furniture tipover .

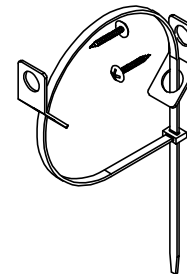
- ALWAYS install tipover restraint provided
- NEVER put a TV on this product .
- NEVER allow children to stand, climb or hang on drawers, doors, or shelves .
- NEVER open more than one drawer at a time.
- Place heaviest items in the lowest drawers.

*This is a permanent label.
Do not remove!*



A

1x Nightstand
1x Table De Chevet
1x Mesa De Noche




B

1 x Furniture Tipping Restraint *
1 x Systeme antibasculement
1 x Control para evitar vulcos

ASSEMBLY INSTRUCTION / NOTICE DE MONTAGE/ INSTRUCCIONES DE MONTAJE
ITEM / NO D'ARTICLE / ARTICULO NO.:1497-4
DESCRIPTION / DESCRIPCIÓN : NIGHTSTAND / TABLE DE CHEVET / MESA DE NOCHE

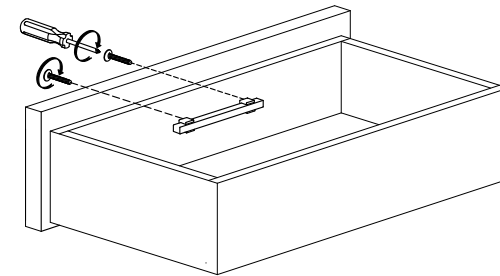
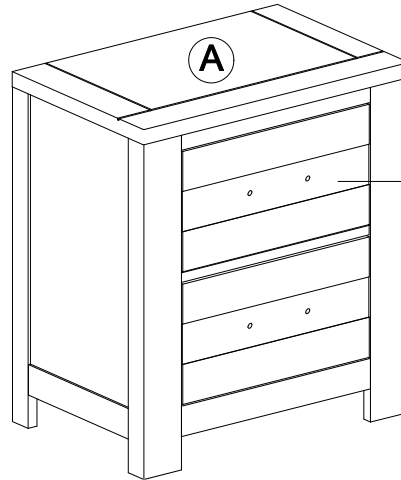
WARNING



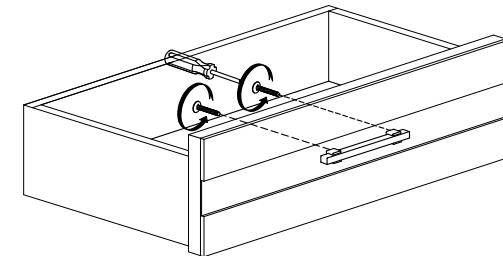
Children have died from furniture tipover. To reduce the risk of furniture tipover .

- ALWAYS install tipover restraint provided
- NEVER put a TV on this product .
- NEVER allow children to stand, climb or hang on drawers, doors, or shelves .
- NEVER open more than one drawer at a time.
- Place heaviest items in the lowest drawers.

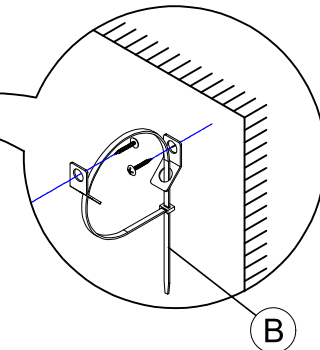
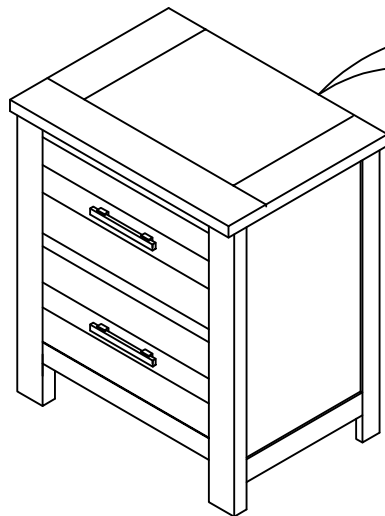
*This is a permanent label.
Do not remove!*



Step 1



Step 2



Furniture Tipping Restraint
Système antibasculement
Control para evitar vuelcos