



ASSEMBLY INSTRUCTION

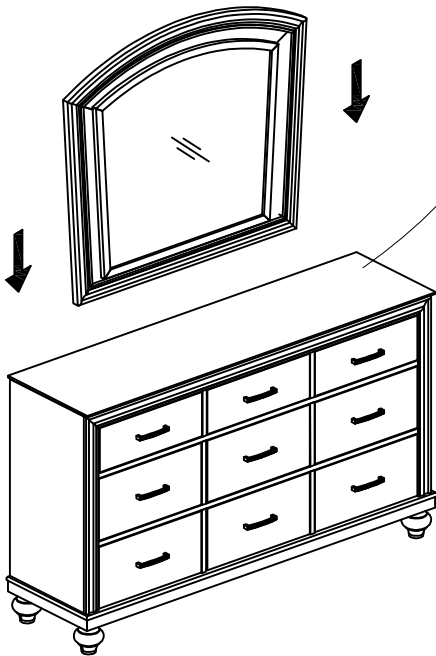
Item No.: 1436W - 6 Mirror

Thank you for purchasing this quality product. Be sure to check all packing material carefully for small Hardware which may have come loose inside the carton during shipment. Identify and count all hardware and compare with the hardware list below

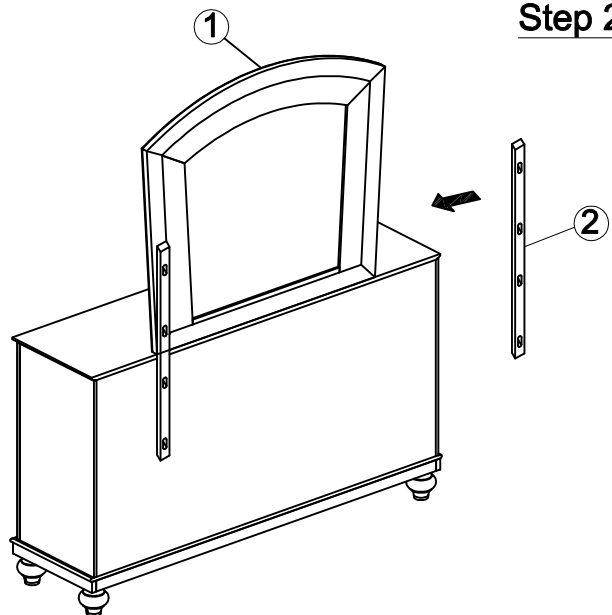
! It is recommended to install protective pads under all legs and supports to avoid damage or scratches when placing furniture on a wood floor or other hard surface, and to limit indentation and prevent discoloration if placing on carpet.

★ Remark/Remarque : there is a tip restraint kit provided on the back of this product. Please read the directions thoroughly and install immediately when placed in home .

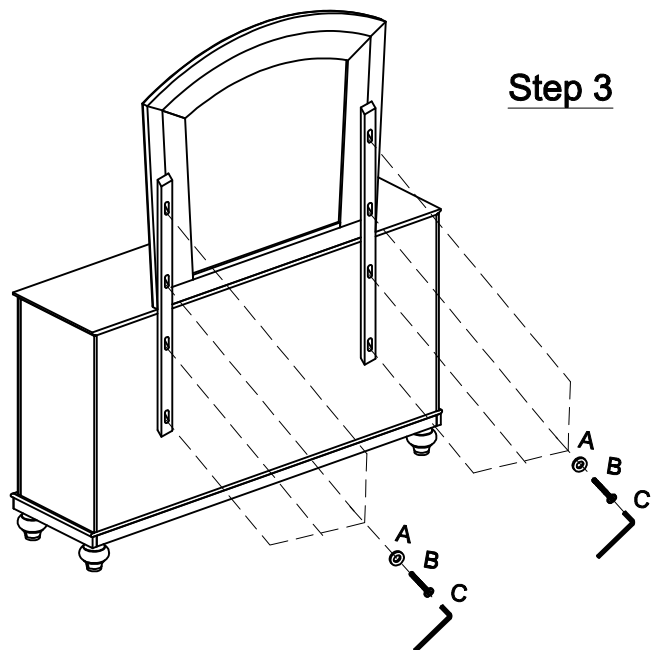
Step 1



Step 2



Step 3



Hardware List

NO.	Description	Figure	Q'TY
A	Flat washer 1/4"		8 PCS
B	Bolt 1/4" x 40mm		8 PCS
C	Allen Key 60mm		1 PC

Part List

NO.	Description	Q'TY
1	Mirror	1 PC
2	Mirror Support	2 PCS

NOTE :

! Must tighten screws periodically with use. Screws will become loose, check tightness of all screws every 6-8 weeks.