



# ASSEMBLY INSTRUCTION

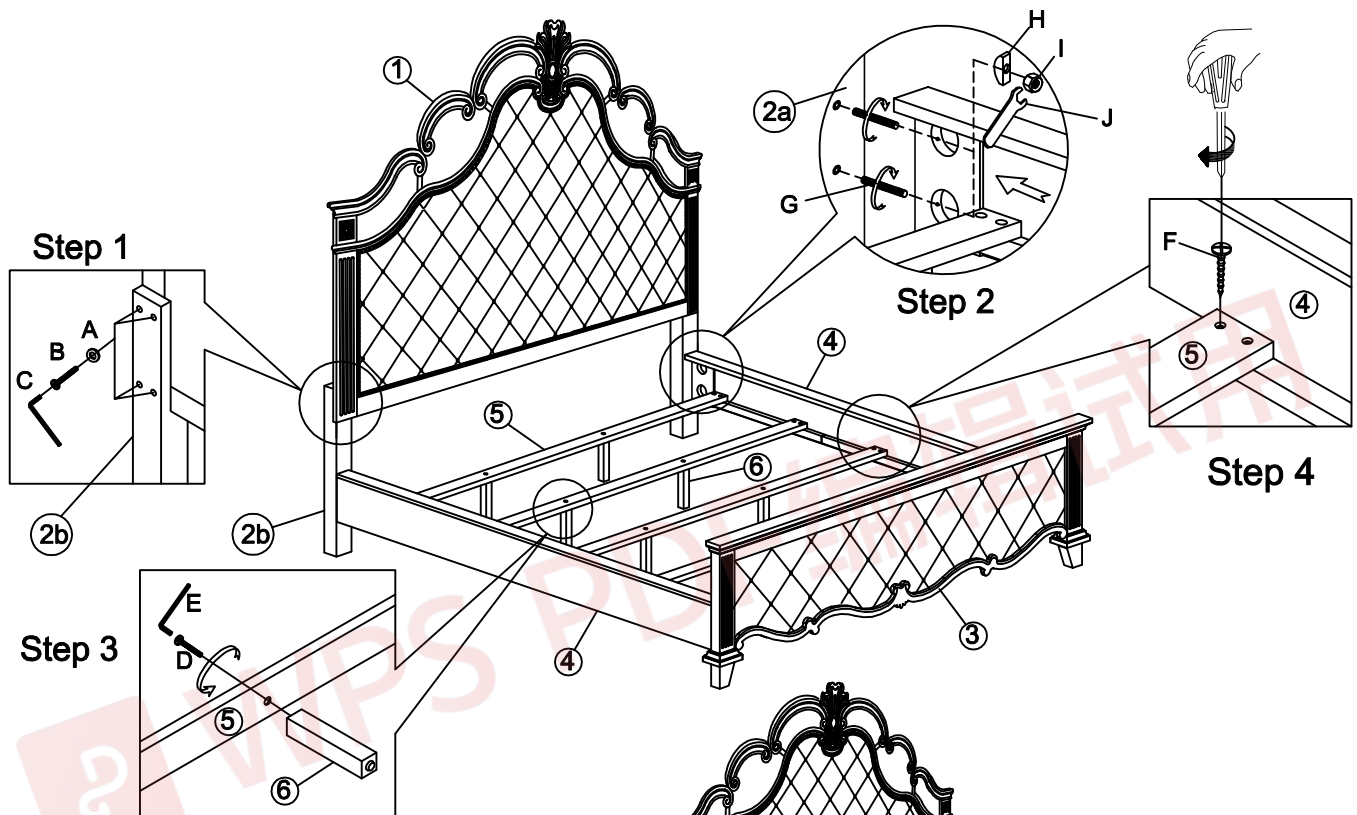
Item No.:

1429K-1 (1/3) California/Eastern King Headboard

1429K-2 (2/3) California/Eastern King Footboard & Slats

1429K-3CK (3/3) California King Side Rails with Crown

Thank you for purchasing this quality product. Be sure to check all packing material carefully for small Hardware which may have come loose inside the carton during shipment. Identify and count all hardware and compare with the hardware list below.



## Hardware List In -K-1

NO.	DESCRIPTION	FIGURE	Q'TY
A	Flat washer 5/16" Dia		8PCS
B	Bolt 5/16" x 1.5"L		8PCS
C	Allen Key		1PC

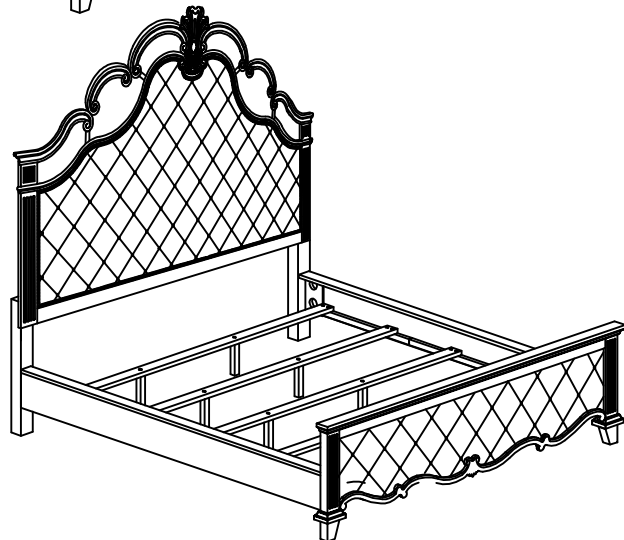
## Hardware List In -K-2

NO.	DESCRIPTION	FIGURE	Q'TY
D	Bolt 1/4" x 1.25"L		10PCS
E	Allen Key		1PC
F	Screw Ø8*Ø4*1.25"L		20PCS

## Hardware List In -3CK

NO.	DESCRIPTION	FIGURE	Q'TY
G	Bolt 5/16" x 3"L		8PCS
H	Curved washer		8PCS
I	Bolt		8PCS
J	Spanner Wrench		1PCS

Tools Required: Please use a screwdriver for the screwdriver is not included



## Part List

NO.	DESCRIPTION	Q'TY
1	Headboard Panel	1PC
2a	Headboard Post RSF	1PC
2b	Headboard Post LSF	1PC
3	Footboard Panel	1PC
4	Rails	2PCS
5	Slats	5PCS
6	Slat support leg	10PCS