
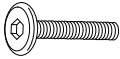







ASSEMBLING INSTRUCTIONS

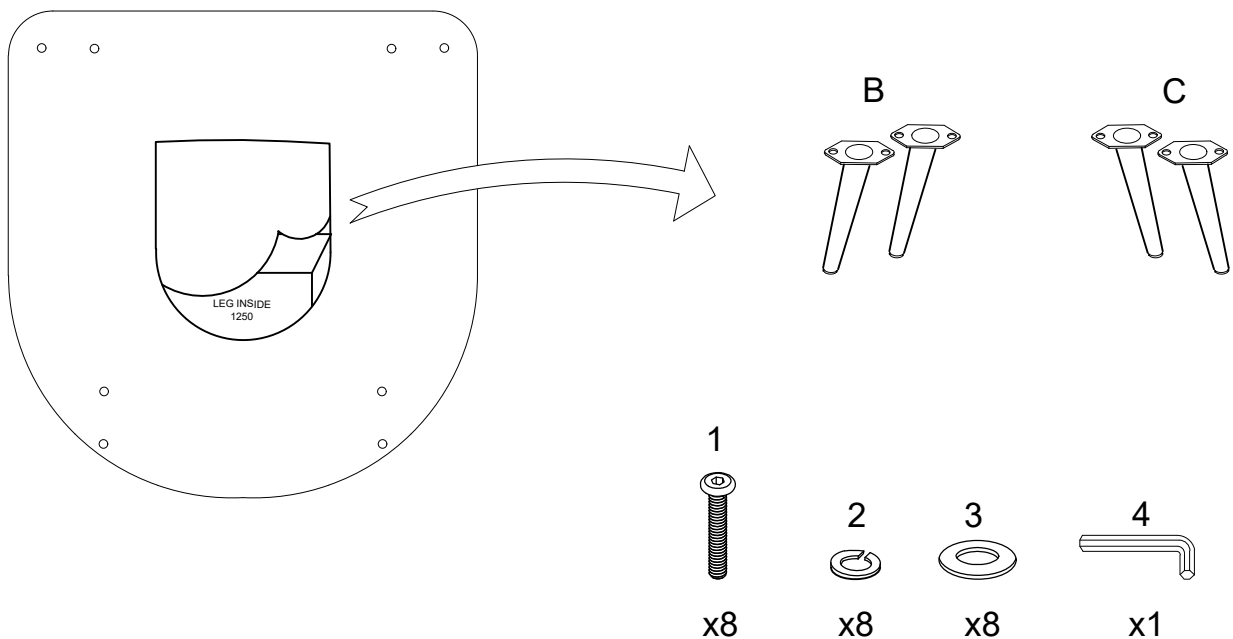
ITEM NO: 1250F1S/ 1250F2S/ 1250F3S/ 1250F4S

Accent chair

! Legs and Hardware are packed and stored in the bottom of the seat, please take out for assembly
 Note: Do not use power tools for assembly. Power tools increase the risk of over tightening which lead to splitting or cracking the wood.

| PART | DRAWING | DESCRIPTION | QTY | PART | DRAWING | DESCRIPTION | QTY |
|------|---|---|-------|------|---|----------------------------|-------|
| A |  | Seat | 1 PC | 1 |  | Bolt Ø5/16"×1-1/4" | 8 PCS |
| B |  | Front/Rear LSF Metal Leg 3-2/3"×2"×8-1/2" | 2 PCS | 2 |  | Spring Washer Ø5/16" | 8 PCS |
| C |  | Front/Rear RSF Metal Leg 3-2/3"×2"×8-1/2" | 2 PCS | 3 |  | Flat Washer Ø5/16"×3/4" | 8 PCS |
| | | | | 4 |  | Allen Key M4 | 1 PC |

STEP 1:

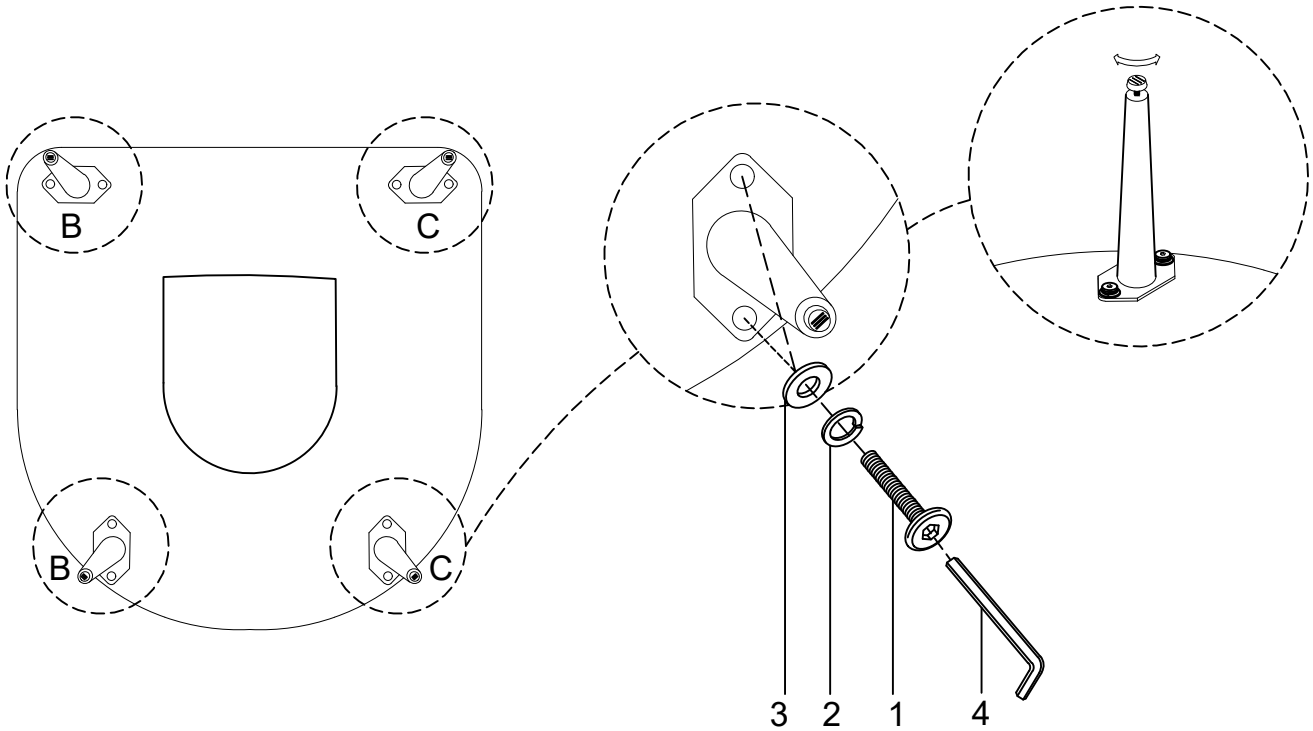


ASSEMBLING INSTRUCTIONS

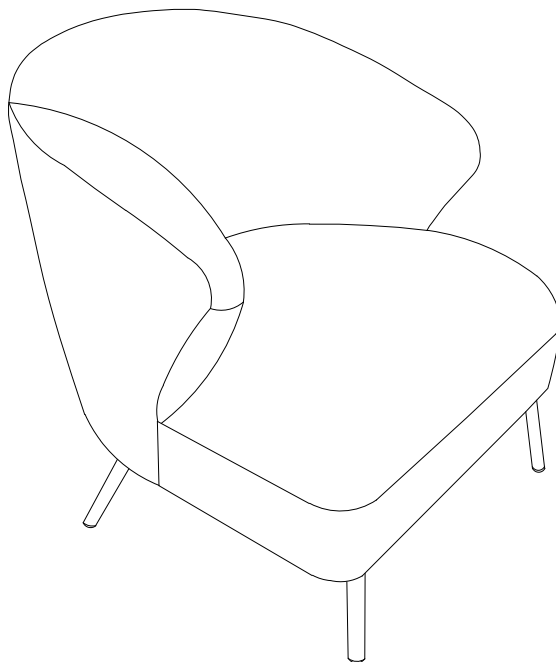
ITEM NO: 1250F1S/ 1250F2S/ 1250F3S/ 1250F4S

Accent chair

STEP 2:




COMPLETE



Care Instruction for Boucle Furniture:

In order to maintain the original appearance of your boucle furniture, please follow below simple care proceures:

- Avoid exposing furniture directly to sunlight or heating and air conditioning outlets.
Sunlight and or exposure to heating and air conditioning outlets will fade/damage boucle.
- Vacuum or wipe with a soft cloth to remove dust.
- Hardware may loosen over time. Periodically check to make sure all connection are tight, Re-tighten if necessary

 For item use on wooden floor,hard surfaces or carpets,it is recommended to install protective pads under all legs and supports to avoid/prevent from damages/scratches and discoloration.