

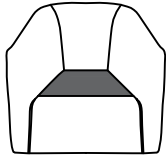
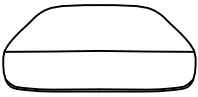


# ASSEMBLY INSTRUCTION

## ITEM NO: 1238GN-1 SWIVEL CHAIR

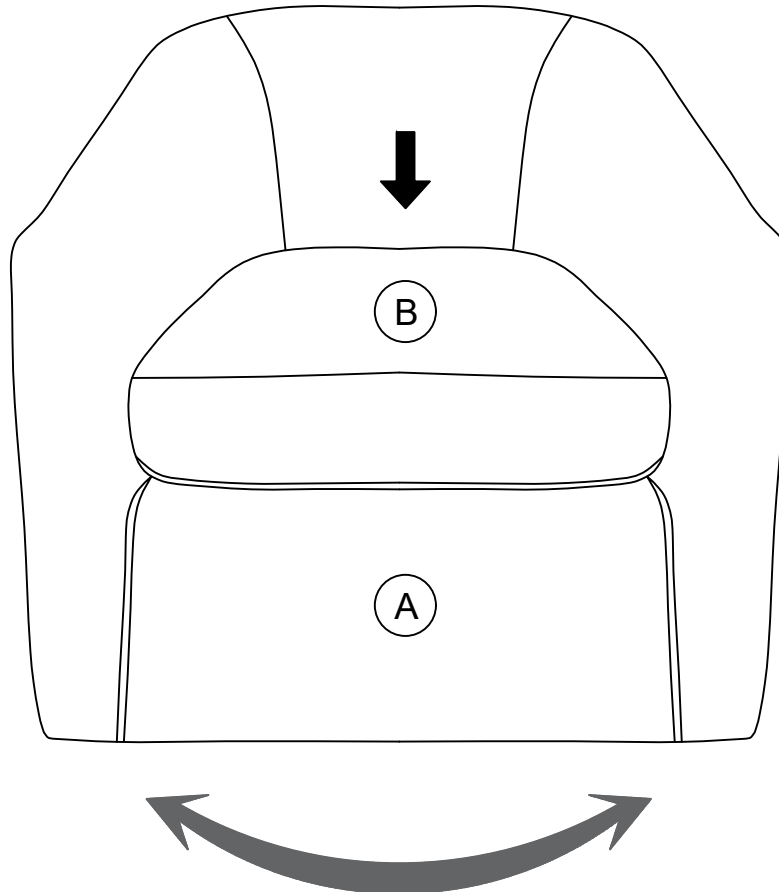
**NOTE: Do not use power tools for assembly. Power tools increase the risk of over tightening which leads to splitting or cracking the wood.**

### COMPONENT LIST (CHAIR)

| NO. | DRAWING   | QTY | DESCRIPTION  |
|-----|---|-----|--------------|
| A   |   | 1   | SEAT         |
| B   |  | 1   | SEAT CUSHION |

## STEP# 1

Attach Seat Cushion (B) to the Seat (A).



### **Care Instruction for Pattern Farbic Furniture.**

In order to maintain the original appearance of your Pattern Farbic Furniture, please follow below simple care procedures:

- Avoid exposing furniture directly to sunlight or heating and air conditioning outlets. Sunlight and/or exposure to heating and air conditioning outlets will fade/damage Pattern Farbic.
- Do not place your Textured furniture too close to windows, radiators, or vents.
- Vacuum or wipe with a soft brush to remove dust.
- Hardware may loosen over time. Periodically check to make sure all connection are tight, Re-tighten if necessary.



**For items use on wooden floor, hard surfaces or carpets, it is recommended to install protective pads under all legs and supports to avoid/prevent from damages/scratches and discoloration.**