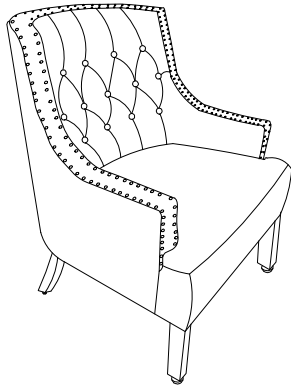




ITEM NO. :

ASSEMBLY INSTRUCTIONS

1194NGY-1 Accent Chair



Thank you for purchasing this product. Please take time to read and follow the instructions below. Check that you have all parts and hardware before assembly. Parts apparently missing are often found in the packing materials. If you do not have all the parts listed, have your dealer contact us and they be sent to you immediately.



It is recommended to install protective pads under all legs and support to avoid damage or scratches when placing furniture on a wood floor or other hard surface, and to limit Indentation and prevent discoloration if placing on carpet.

PARTS LIST

NO.	DESCRIPTION	DRAWING	QTY
1	CHAIR		1 PC
2	FRONT LEG		2 PCS
3	BACK LEG		2 PCS

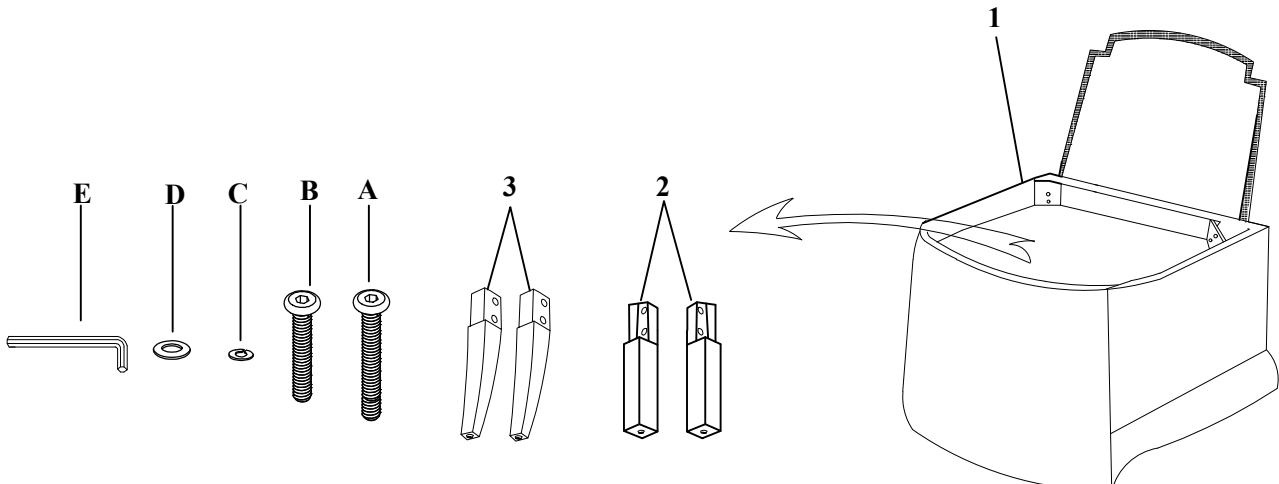
HARDWARE LIST

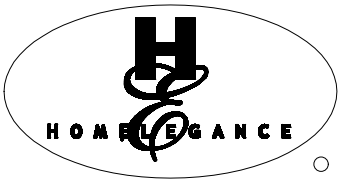
No.	SKETCH	SIZE	QTY
A		BOLT (M8-32×70mmL) (FRONT LEG)	4 PCS
B		BOLT(M8-32×55mmL) (REAR LEG)	4 PCS
C		SPRING WASHER (5/16 ×1.2mmL)	8 PCS
D		FLAT WASHER (5/16×19mmL)	8 PCS
E		ALLEN KEY (M8×75mmL)	1 PC

* ABOVE HARDWARE ARE PACKED FOR ASSEMBLY.



Legs and Hardware set are stored at the bottom seat inside the dust cover as shown in drawing, please take out for assembly.





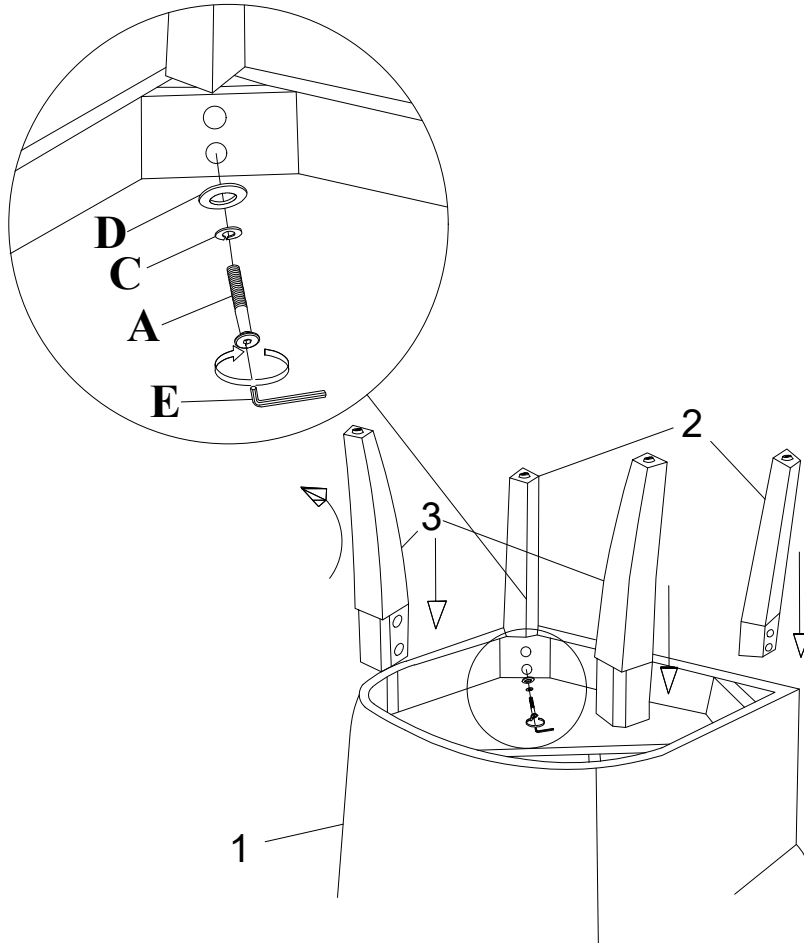
ASSEMBLY INSTRUCTIONS

ITEM NO.:

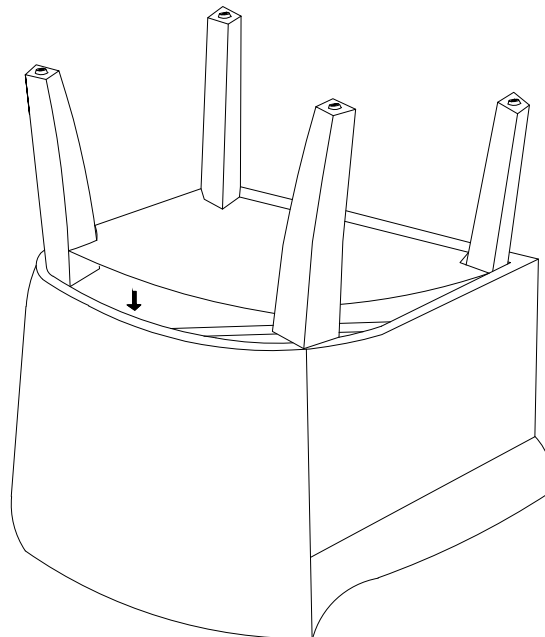
1194NGY-1

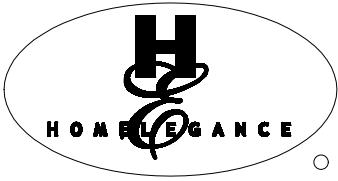
Accent Chair

STEP#1



STEP#2.



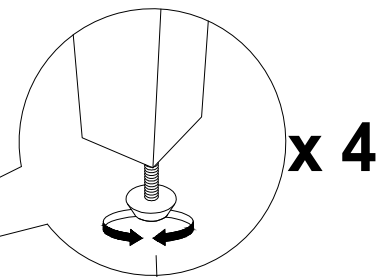
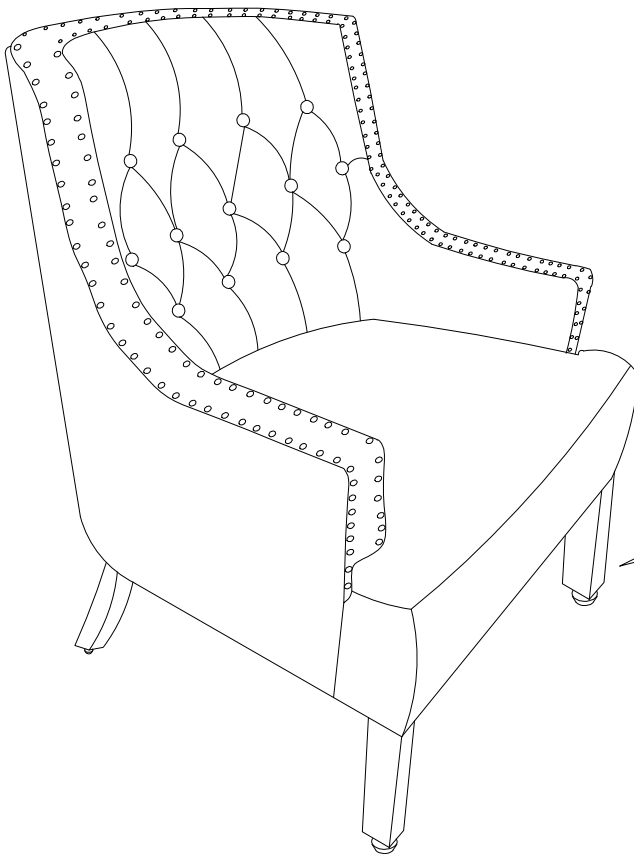


ITEM NO.:

ASSEMBLY INSTRUCTIONS

1194NGY-1

Accent Chair



***Adjust leveder
Nivelador Ajustable
Niveleur réglable***

CARE INSTRUCTION FOR FABRIC FURNITURE

In order to maintain the original appearance of your fabric furniture, please follow below care procedures:

- Avoid exposing furniture directly to sunlight or heating and air conditioning outlets. Sunlight and / or exposure to heating and air conditioning outlets will fade/damage fabric. Do not place your upholstered furniture too close to windows, radiators, r vents and be sure to use window treatments to block the sun's rays.
- Wipe with a soft brush to remove dust.
- Hardware may loosen over time. Periodically check to make sure all connection are tight, Re-tighten if necessary.