




## Assembly Instruction

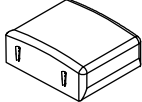
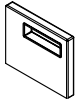
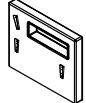
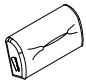


ITEM NO.: 1155BE-1 Accent Chair, Beige Boucle  
1155GY-1 Accent Chair, Gray Boucle

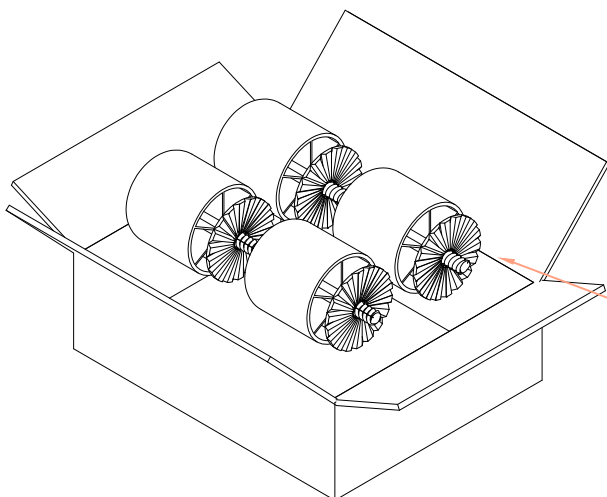
**H O M E L E G A N C E**

 Legs are stored in the hardware box. Please take out for assembly.

Note: Do not use power tools for assembly. Power tools increase the risk of overtightening which lead to splitting or cracking the wood.

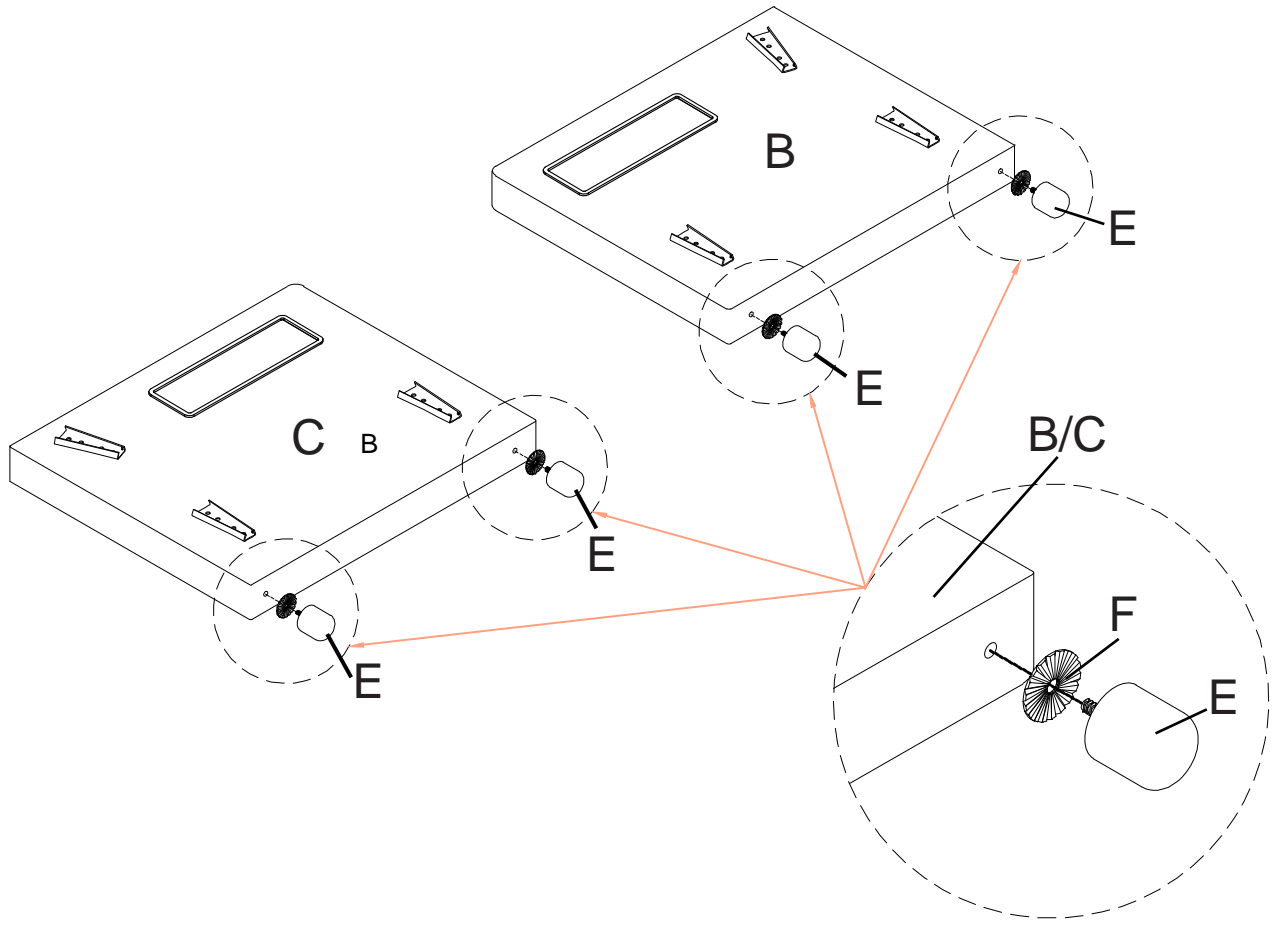
### Component list

No	Drawing	Qty	Description
A		1	SEAT
B		1	LSF ARM
C		1	RSF ARM
D		1	BACK REST
E		4	PLASTIC LEGS 60x60xH50mm
F		4	PLASTIC WASHER

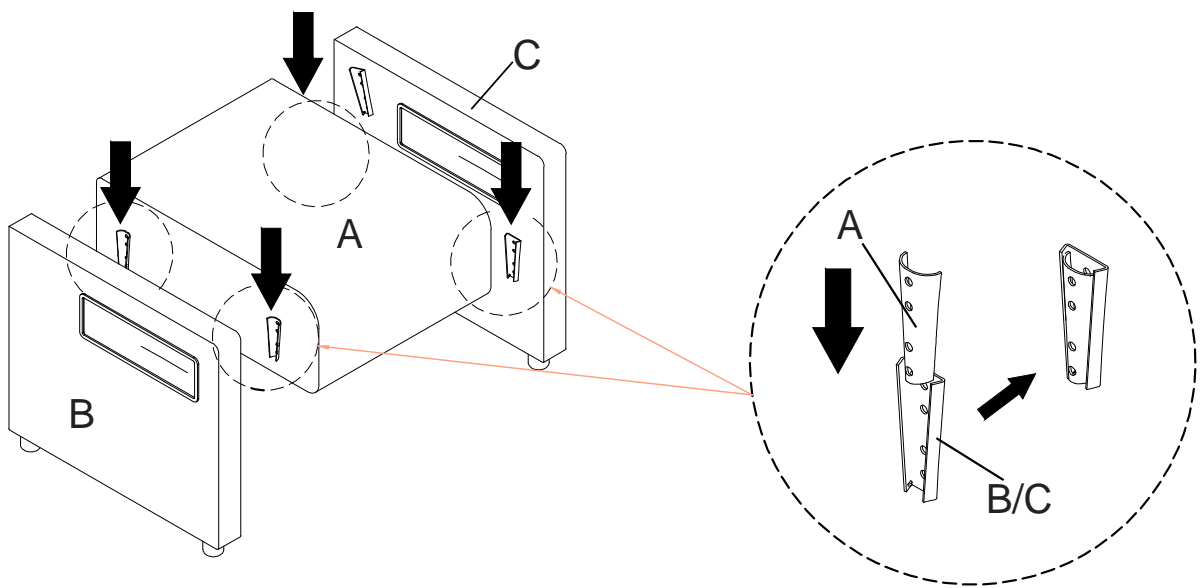


Plastic legs and Plastic Washer are in the box

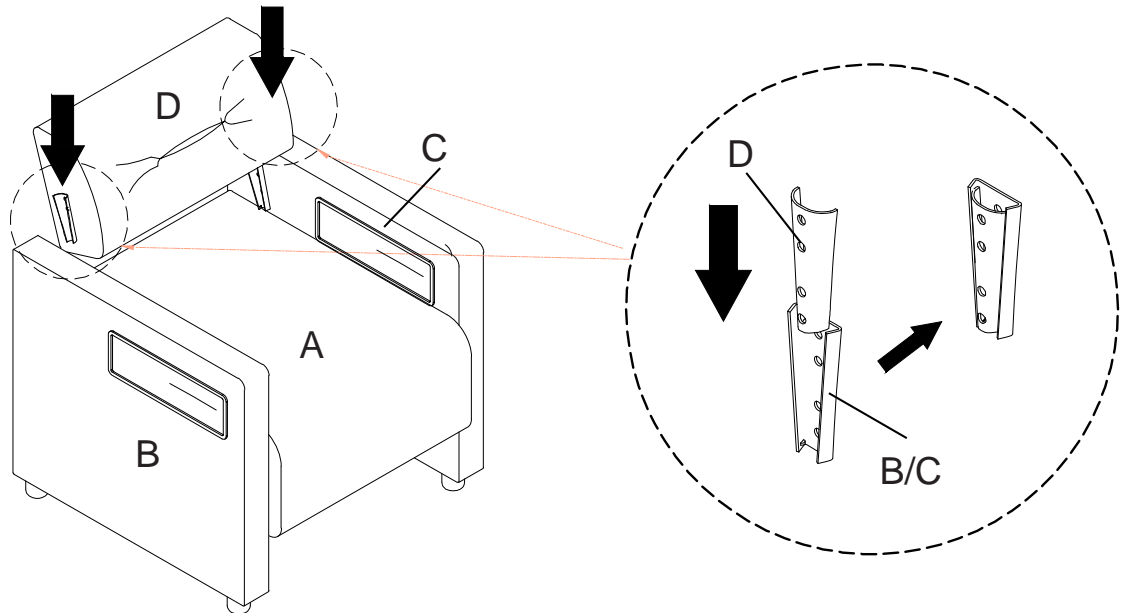
Step #1



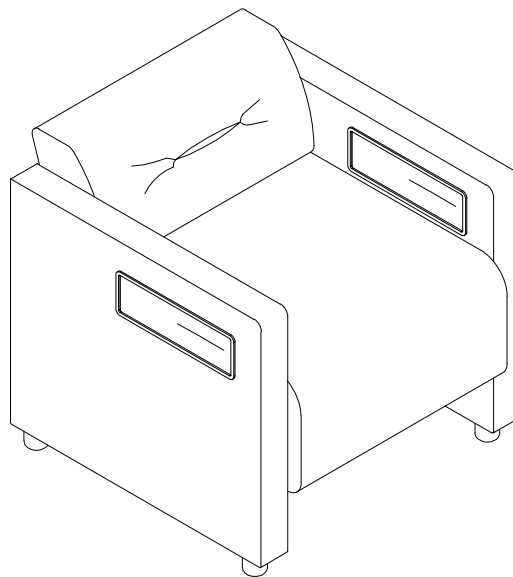
Step #2



### Step #3



### Complete



## Care Instruction for Boucle Fabric Furniture:

In order to maintain the original appearance of your Boucle fabric Furniture, please follow below simple care procedures:

- Avoid exposing furniture directly to sunlight or heating and air conditioning outlets. Sunlight and or exposure to heating and air conditioning outlets will fade/damage Boucle Fabric.
- Vacuum or wipe with a soft cloth to remove dust.
- Hardware may loosen over time. Periodically check to make sure all connection are tight, re-tighten if necessary.



For items use on wooden floor, hard surfaces or carpets, it is recommended to Install protective pads under all legs and supports to avoid/prevent from damages/scratches and discoloration.