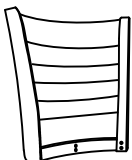
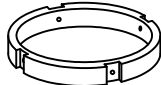
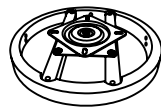


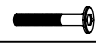







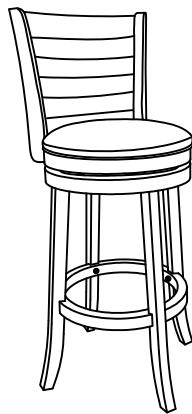
IMPORTANT NOTE :

- To prevent scratch, place all wooden parts on a clean and smooth surface such as carpet.
- Keep all hardware parts out of reach of children
- Follow assembly instruction step by step

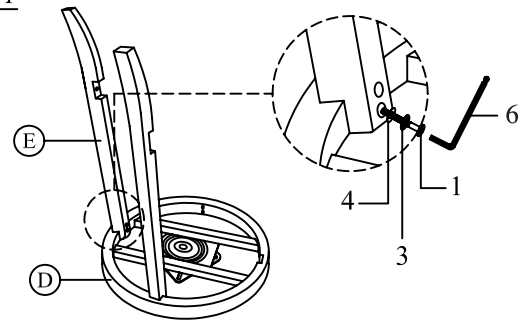
PARTS LIST	
(A) 	(C)  Footrest -1 Pc
Backrest -1 Pc	(D)  Apron with swivel plate -1 Pc
(B) 	(E)  Chair Leg ----4 Pcs
Cushion Seat -1 Pc	

HARDWARE LIST		
No	Description	QTY
1	JCBC Screw M6 x 35mm 	16 Pcs
2	JCBC Screw M6 x 45mm 	6 Pcs
3	Spring Washer M6 x 13mm 	18 Pcs
4	Flat Washer M6 x 13mm 	12 Pcs
5	Flat Washer 6.5 x 16.5mm 	10 Pcs
6	Allen Key M4 (Long) 	1 Pc

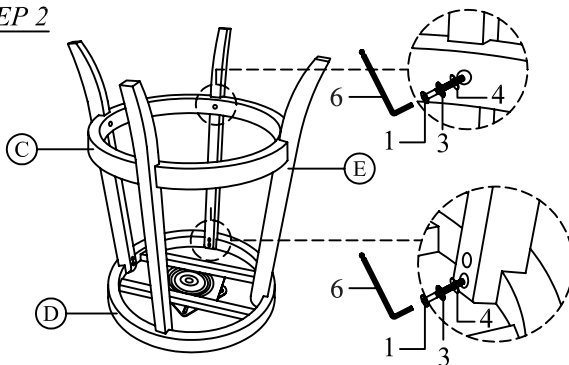
NOTE : Do not tighten all screws until the stool is fully set -up.



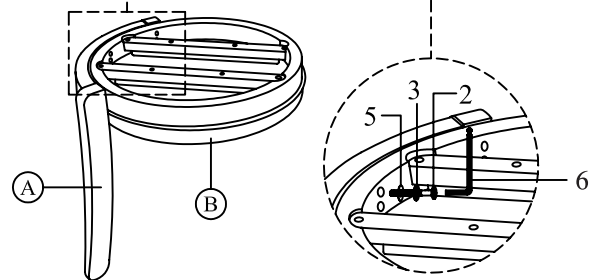
STEP 1



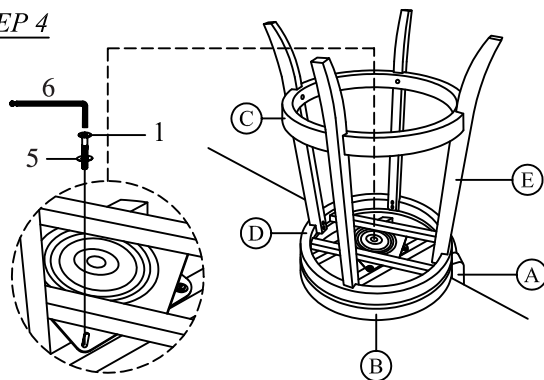
STEP 2



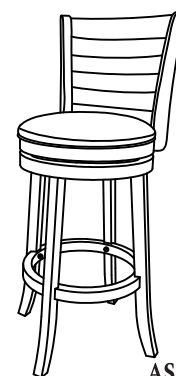
STEP 3



STEP 4



STEP 5



ASSEMBLY COMPLETED