



# ASSEMBLING INSTRUCTIONS

ITEM NO: 1108DGY-1 / 1108TPE-1/ 1108BUE-1

Accent Chair

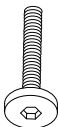
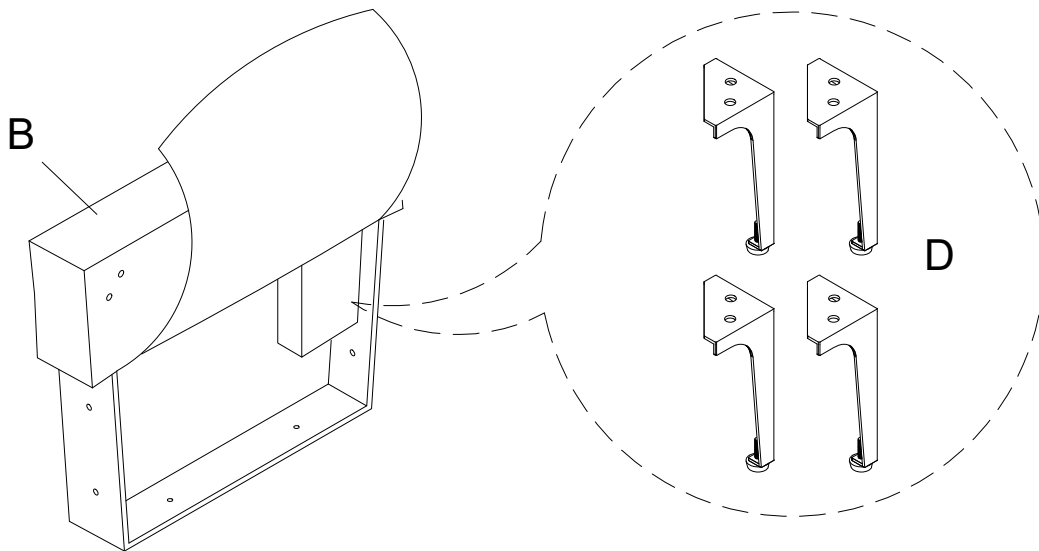


Legs and hardware are stored in the bottom of the seat, please take them out for assembly.

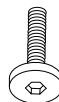
Note: Do not use power tools for assembly. Power tools increase the risk of over tightening which lead to splitting or cracking the wood.

PART	DRAWING	DESCRIPTION	QTY	PART	DRAWING	DESCRIPTION	QTY
A		Chair Back	1 PC	1		Bolt Ø5/16"×1-1/2"	6 PCS
B		Chair Seat	1 PC	2		Bolt Ø5/16"×1"	8 PCS
C		Seat Cushion	1 PC	3		Spring Washer Ø5/16"	14 PCS
D		Metal Leg 3-5/32"×3-5/32"×7-1/2"	4 PCS	4		Flat Washer Ø5/16"×3/4"	14 PCS
				5		Allen Key M4	1 PC

## STEP 1:



x6



x8



x14



x14



x1

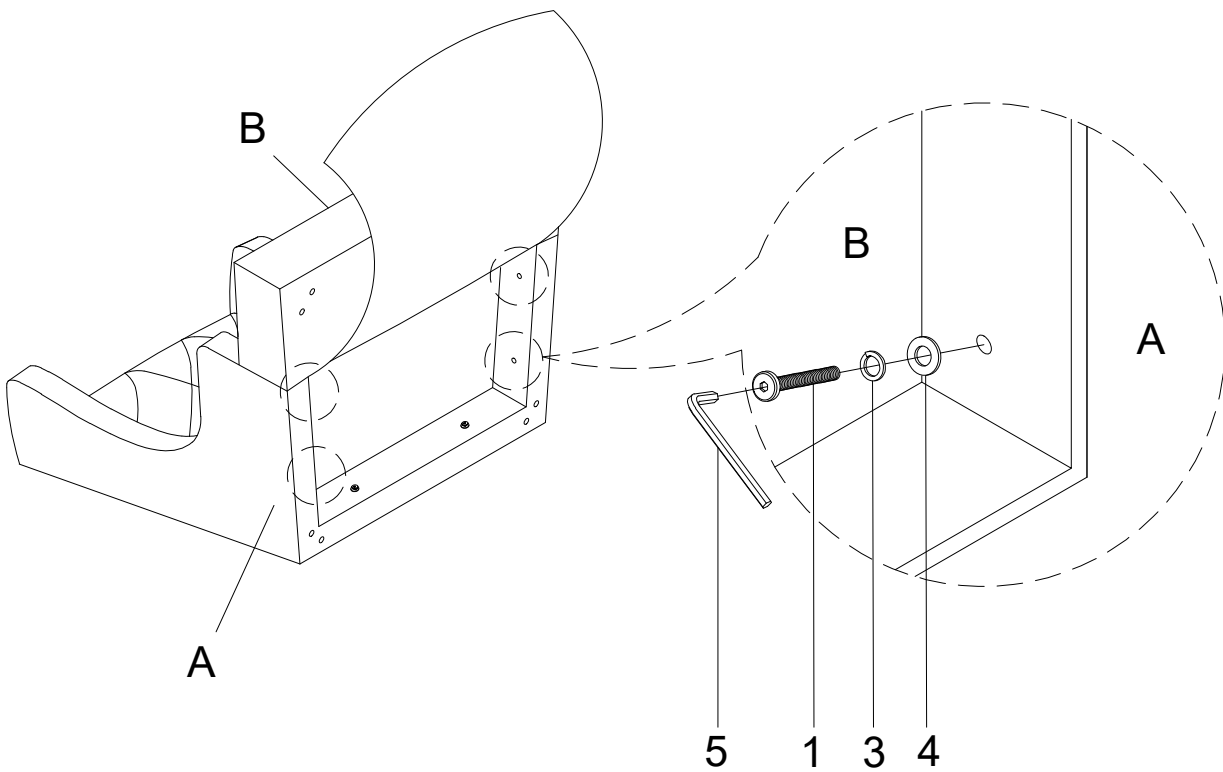
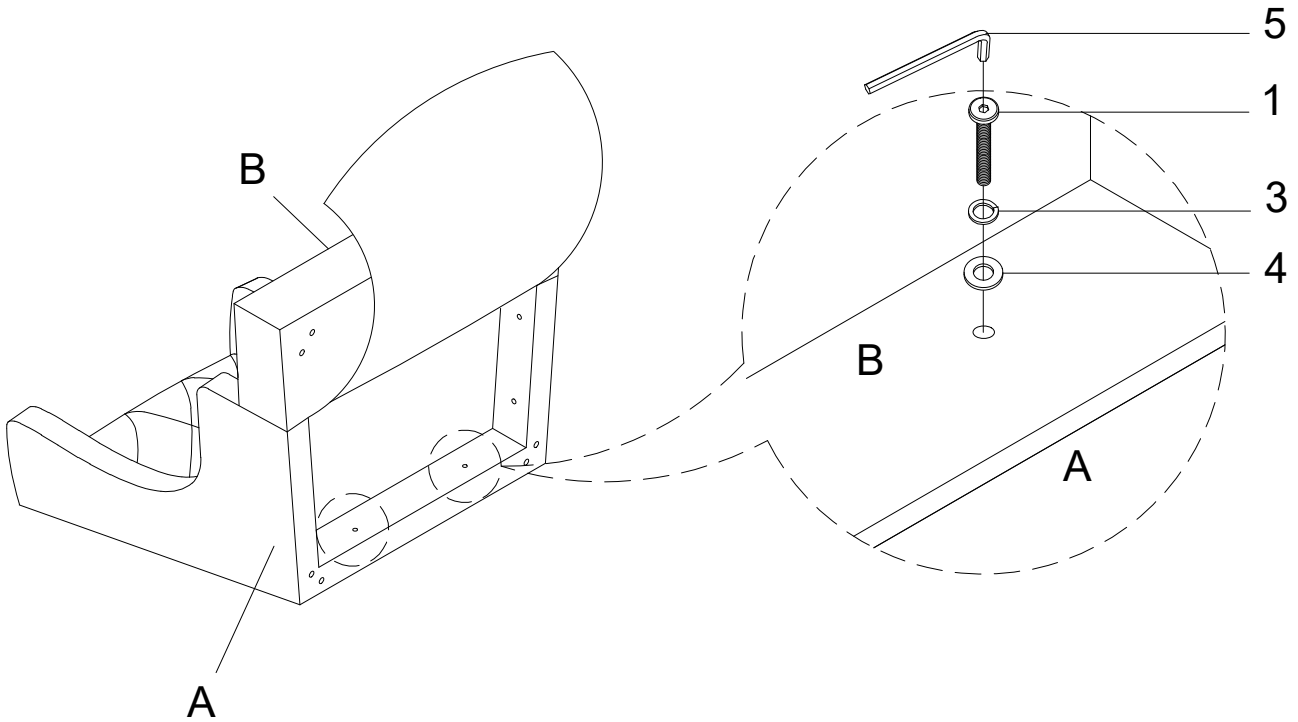


# ASSEMBLING INSTRUCTIONS

ITEM NO: 1108DGY-1 / 1108TPE-1/ 1108BUE-1

Accent Chair

STEP 2:



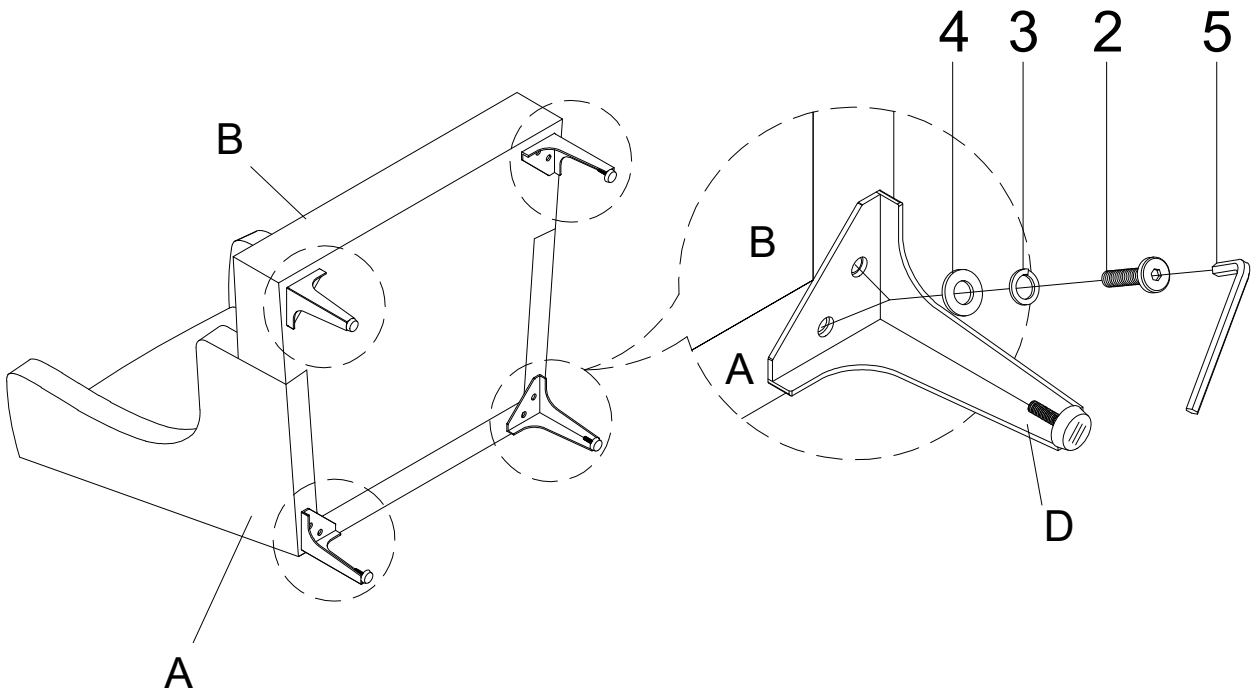


# ASSEMBLING INSTRUCTIONS

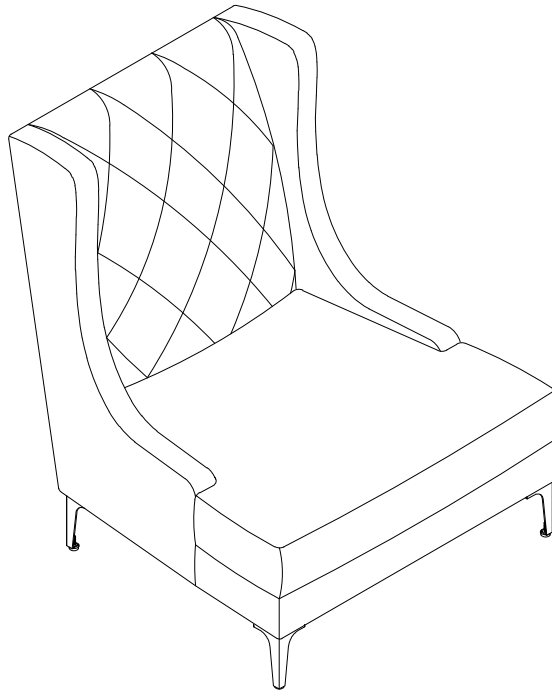
ITEM NO: 1108DGY-1 / 1108TPE-1/ 1108BUE-1

Accent Chair

STEP 3:




COMPLETED



### Care Instruction for Chenille Furniture:

In order to maintain the original appearance of your chenille furniture, please follow below simple care procedures:

- Avoid exposing furniture directly to sunlight or heating and air conditioning outlets. Sunlight and or exposure to heating and air conditioning outlets will fade/damage chenille.
- Vacuum or wipe with a soft cloth to remove dust.
- Hardware may loosen over time. Periodically check to make sure all connection are tight, Re-tighten if necessary

 For item use on wooden floor, hard surfaces or carpets, it is recommended to install protective pads under all legs and supports to avoid/prevent from damages/scratches and discoloration.