



ASSEMBLING INSTRUCTIONS

ITEM NO: 1007BEG-1/ 1007BUE-1/ 1007DGY-1

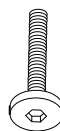
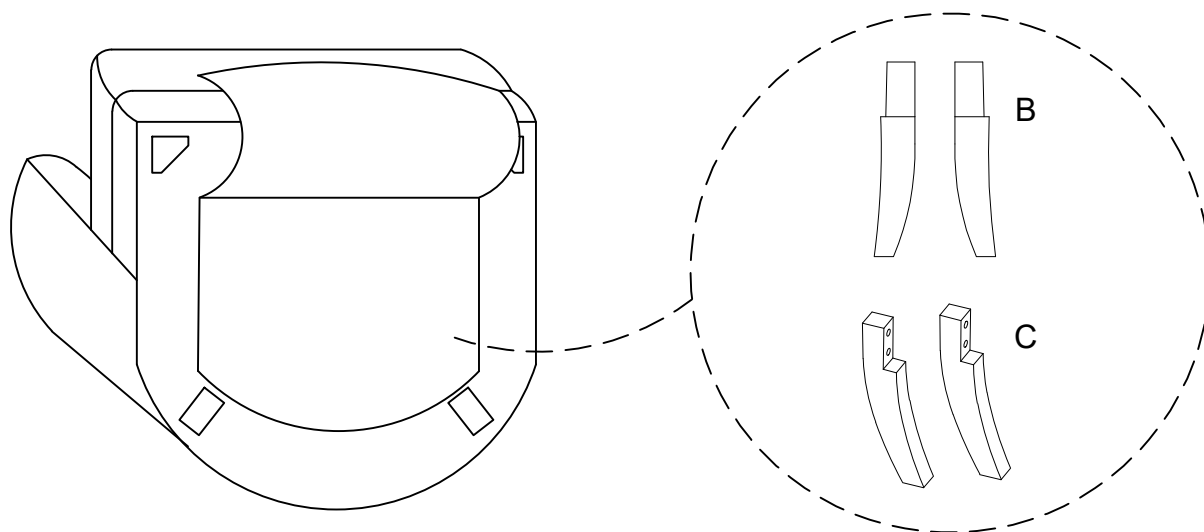
Accent Chair

! Legs and hardware are stored in the bottom of the seat, please take them out for assembly.
Note: Do not use power tools for assembly. Power tools increase the risk of over tightening which lead to splitting or cracking the wood.

PART	DRAWING	DESCRIPTION	QTY
A		Seat	1 PC
B		Front Wooden Leg 12"x2"x2"	2 PCS
C		Rear Wooden Leg 11"x2"x1-1/4"	2 PCS

PART	DRAWING	DESCRIPTION	QTY
1		Bolt Ø5/16"×2-3/16"	8 PCS
2		Spring Washer Ø5/16"	8 PCS
3		Flat Washer Ø5/16"×3/4"	8 PCS
4		Allen Key M4	1 PC

STEP 1:



x8



x8



x8



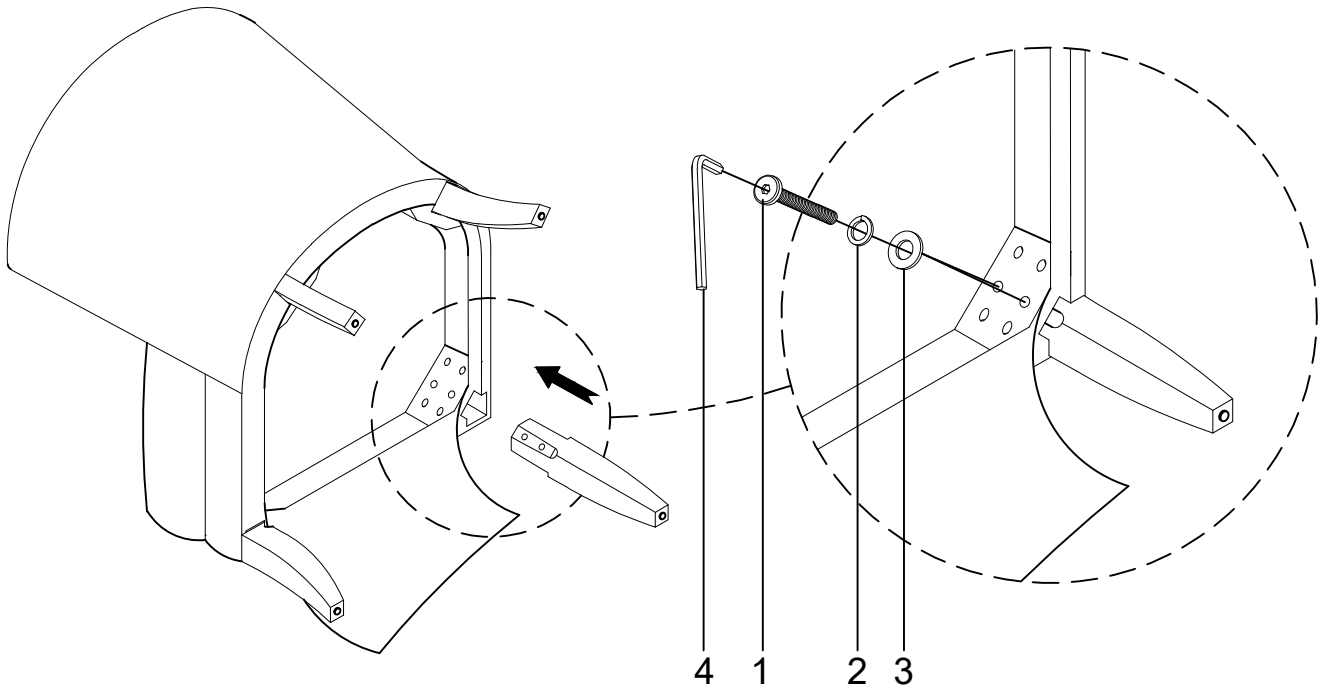
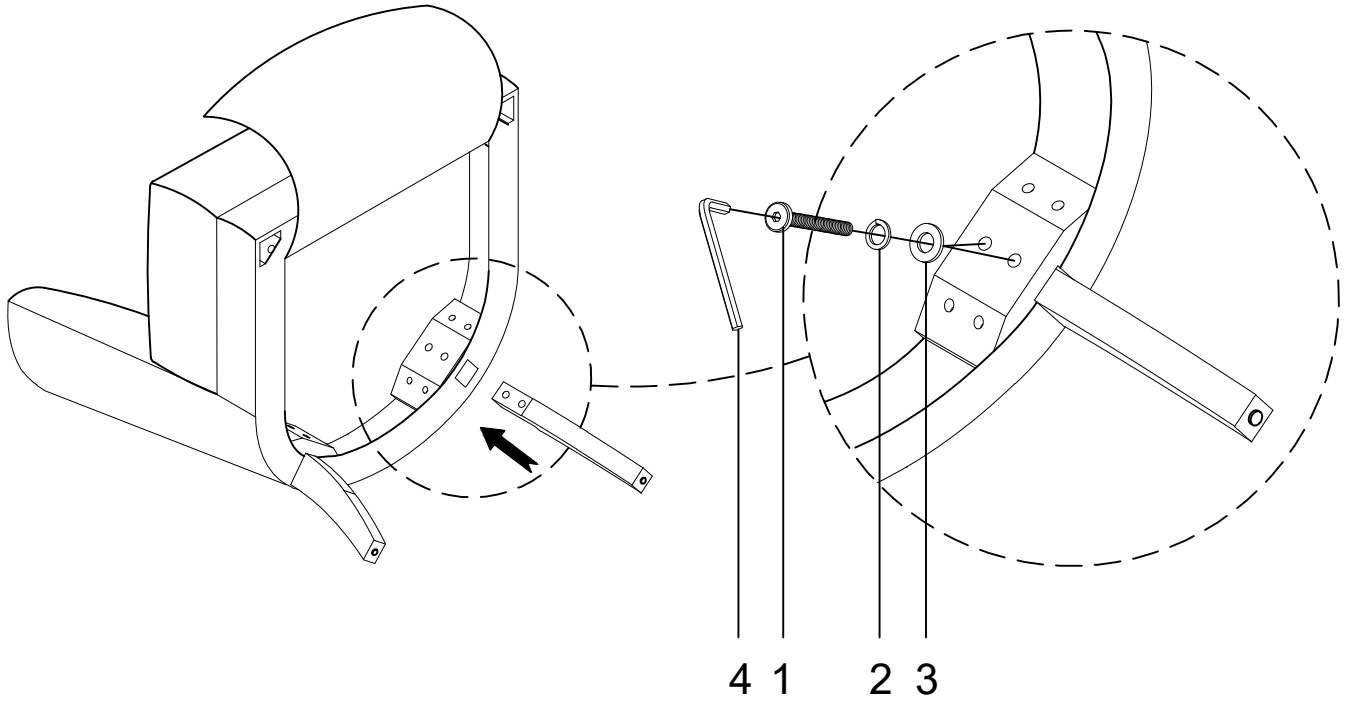
x1

ASSEMBLING INSTRUCTIONS

ITEM NO: 1007BEG-1/ 1007BUE-1/ 1007DGY-1

Accent Chair

STEP 2:

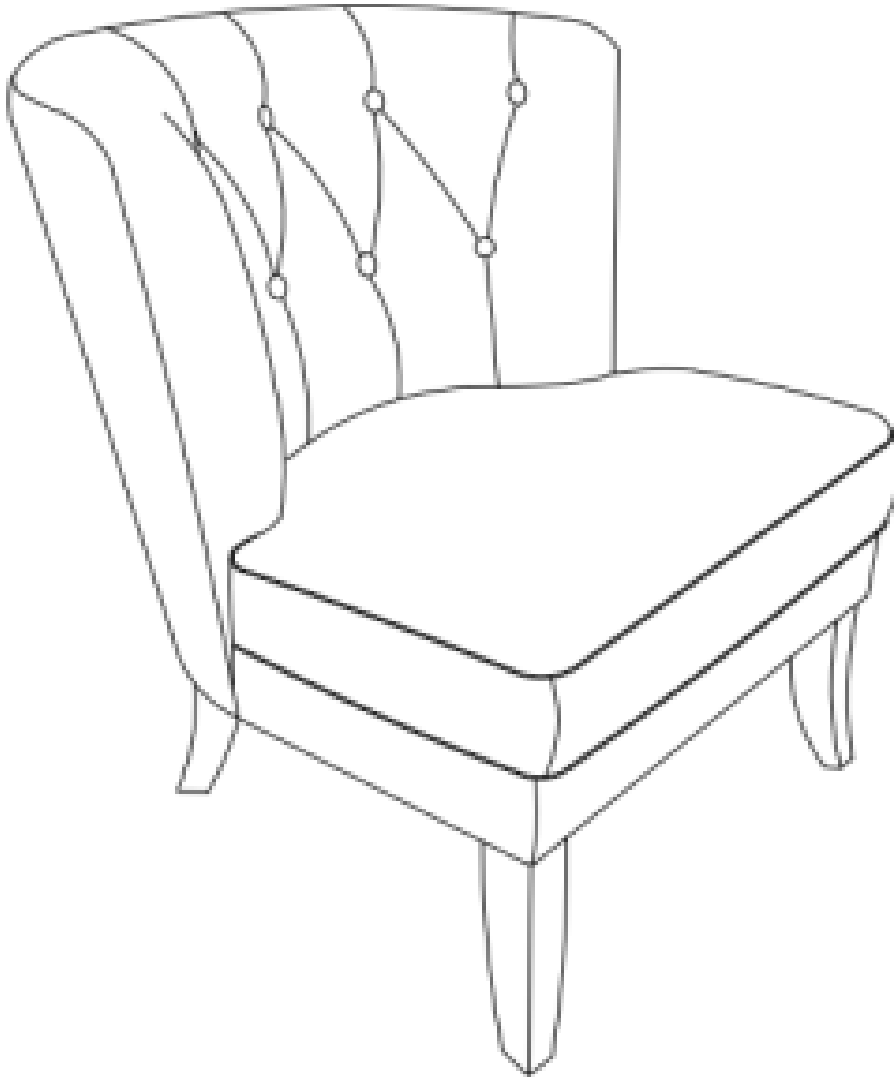


ASSEMBLING INSTRUCTIONS

ITEM NO: 1007BEG-1/ 1007BUE-1/ 1007DGY-1

Accent Chair


COMPLETE



Care Instruction for Textured Furniture:

In order to maintain the original appearance of your textured furniture, please follow below simple care procedures:

- Avoid exposing furniture directly to sunlight or heating and air conditioning outlets.
Sunlight and or exposure to heating and air conditioning outlets will fade/damage textured.
- Vacuum or wipe with a soft cloth to remove dust.
- Hardware may loosen over time. Periodically check to make sure all connection are tight, Re-tighten if necessary

 For item use on wooden floor,hard surfaces or carpets,it is recommended to install protective pads under all legs and supports to avoid/prevent from damages/scratches and discoloration.