

ASSEMBLING INSTRUCTIONS

ITEM NO: 1006GRY-1/ 1006BEG-1

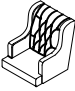
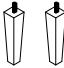
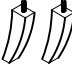

1006BUE-1/ 1006CRC-1

Accent Chair

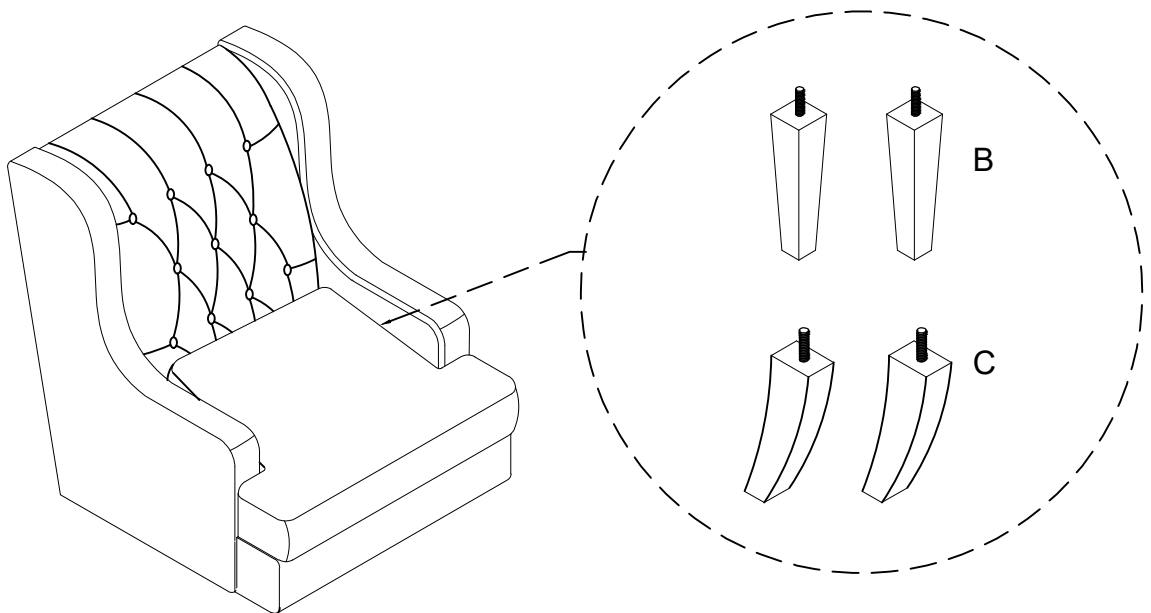


Legs and hardware are stored under the seat cushion, please take them out for assembly

Note: Do not use power tools for assembly. Power tools increase the risk of over tightening which lead to splitting or cracking the wood.

PART	DRAWING	DESCRIPTION	QTY
A		Seat	1 PC
B		Front Wood Leg 9-1/2"x2"x2"	2 PCS
C		Rear Wood Leg 9-1/2"x2"x2"	2 PCS
D		Seat Cushion	1 PC

STEP 1:



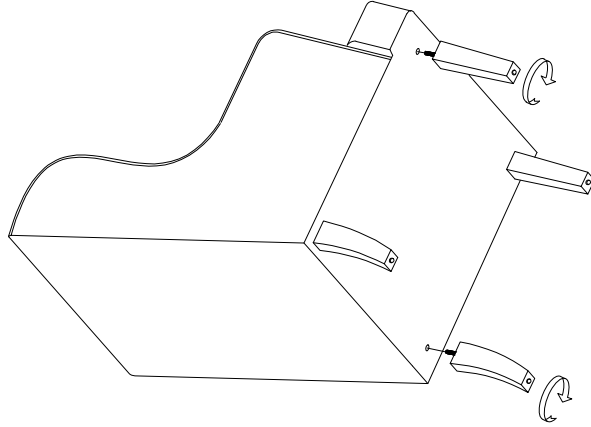
ASSEMBLING INSTRUCTIONS

ITEM NO: 1006CRC-1/ 1006GRY-1/

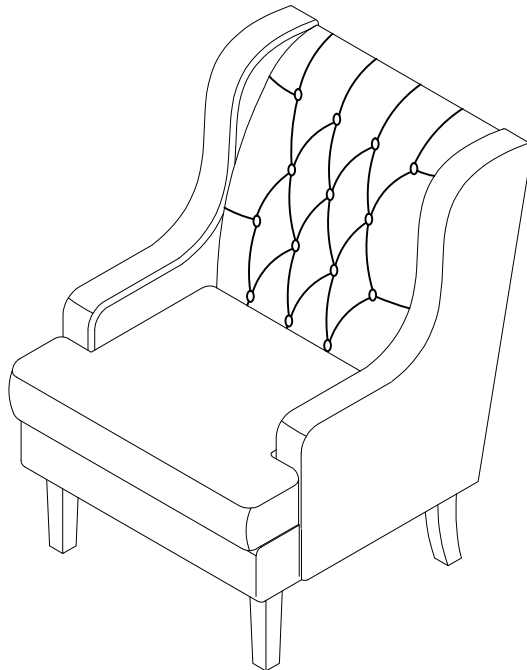
1006BEG-1/ 1006BUE-1

Accent Chair

STEP 2:




STEP 3:



Care Instruction for Textured Furniture:

In order to maintain the original appearance of your textured furniture, please follow below simple care procedures:

- Avoid exposing furniture directly to sunlight or heating and air conditioning outlets. Sunlight and or exposure to heating and air conditioning outlets will fade/damage textured.
- Vacuum or wipe with a soft cloth to remove dust.
- Hardware may loosen over time. Periodically check to make sure all connection are tight, Re-tighten if necessary

 For item use on wooden floor,hard surfaces or carpets,it is recommended to install protective pads under all legs and supports to avoid/prevent from damages/scratches and discoloration.