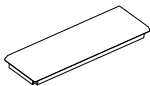







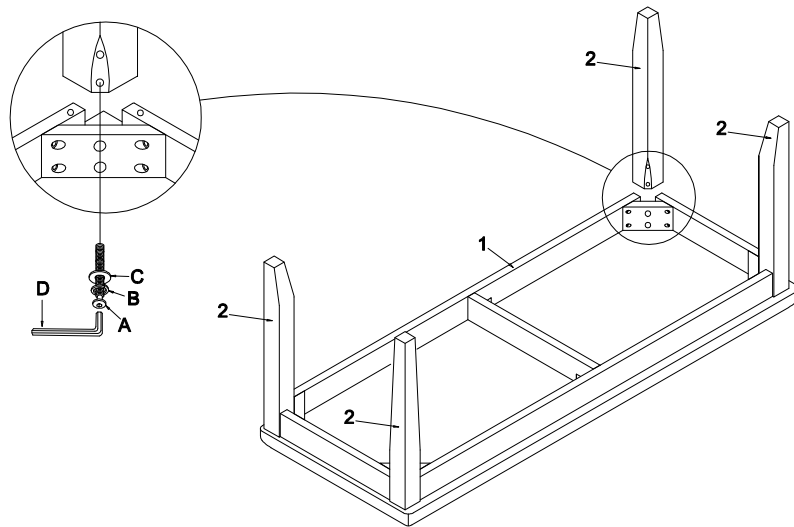


ASSEMBLY INSTRUCTION

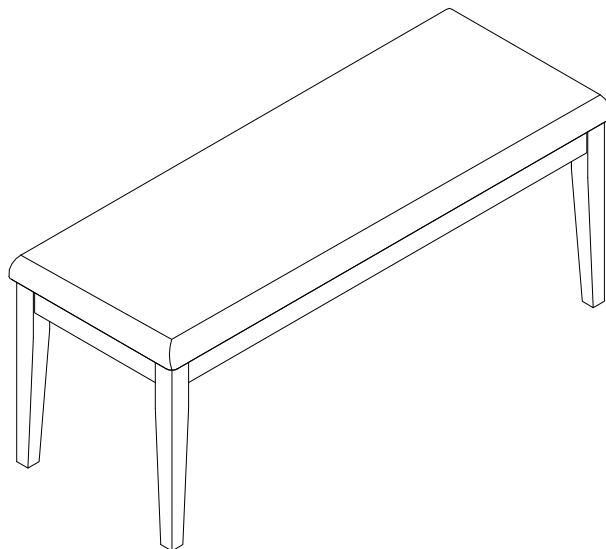
ITEM NO.: 5567GY-13 BENCH

| PART LIST | | | | HARDWARE LIST | | | |
|-----------|--------------------------|---|------|---------------|--|-----------------------------|------|
| 1 | Bench Frame With Cushion |  | 1pc | A |  | Bolt $\phi 1/4"$ x 2-3/8"L | 8pcs |
| 2 | Leg |  | 4pcs | B |  | Lock Washer ($\phi 1/4"$) | 8pcs |
| | | | | C |  | Flat Washer ($\phi 1/4"$) | 8pcs |
| | | | | D |  | Allen Key (4mm) | 1pc |

Step 1



Completed



For items use on wooden floor, hard surfaces or carpets, it is recommended to Install protective pads under all legs and supports to avoid/prevent from damages/scratches and discoloration.