

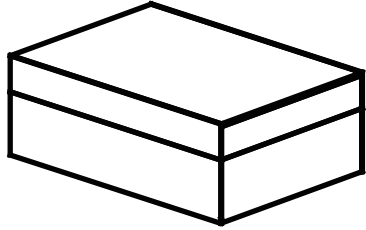

ASSEMBLY INSTRUCTION

ITEM NO.:9367BU/DG/GY-4

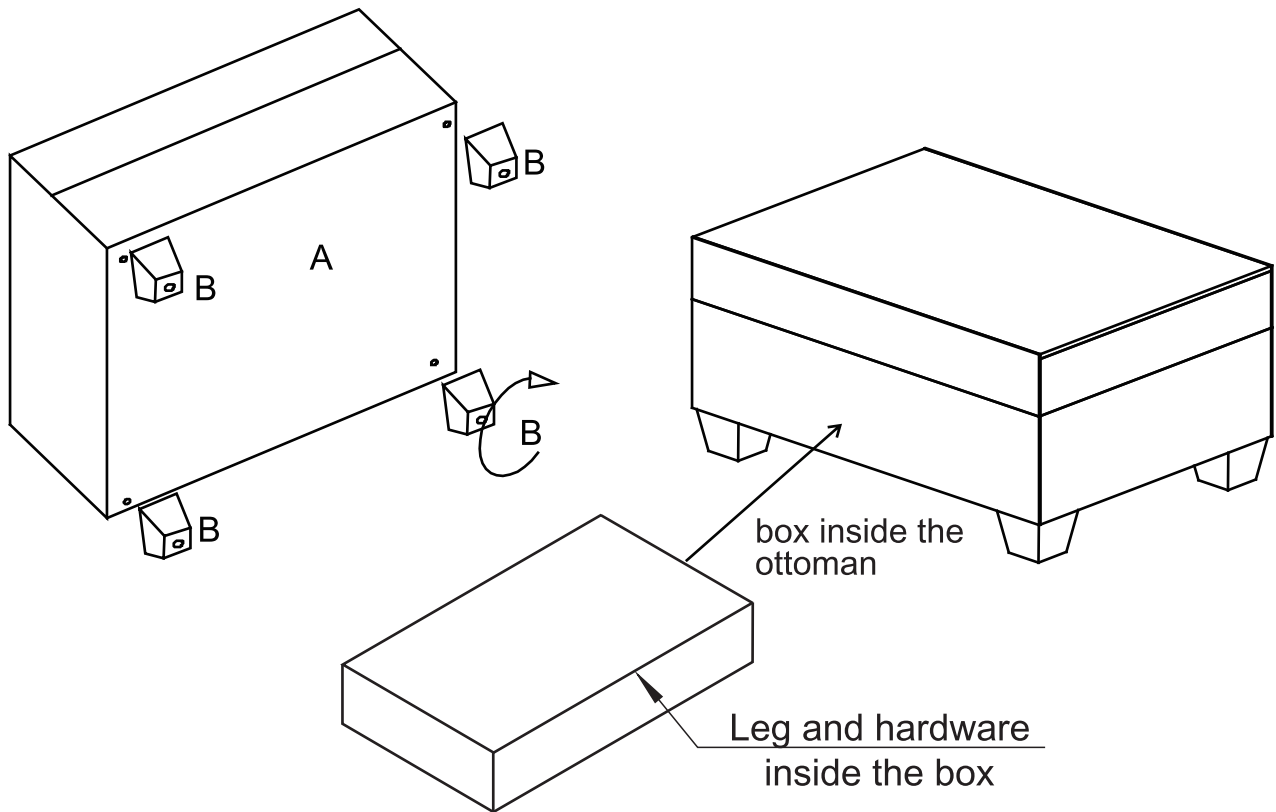
STORAGE OTTOMAN

NOTE:Do not use power tools for assembly. Power tools increase the risk of over tightening which lead to splitting or cracking the wood.

COMPONENT LIST

NO.	DRAWING	QTY	DESCRIPTION
A		1	OTTOMAN
B		4	PLASTIC LEG 100*100*80MM

STEP1: The legs are stored in the ottoman, please take out for assembly.



CARE INSTRUCTION FOR LINEN LIKE FURNITURE:

In order to maintain the original appearance of your LINEN LIKE furniture, please follow below care procedures:

Avoid exposing furniture directly to sunlight or heating and air conditioning outlets. Sunlight and/or exposure to heating and air conditioning outlets will fade/damage LINEN LIKE

Do not place your upholstered furniture too close to windows, radiators, or vents, and be sure to use window treatments to block the sun's rays.

Vacuum or wipe with a soft cloth regularly to remove dust.



For items used on wooden floor, hard surfaces or carpets, it is recommended to install protective pads under all legs and supports to avoid/prevent from damages/scratches and discoloration.