







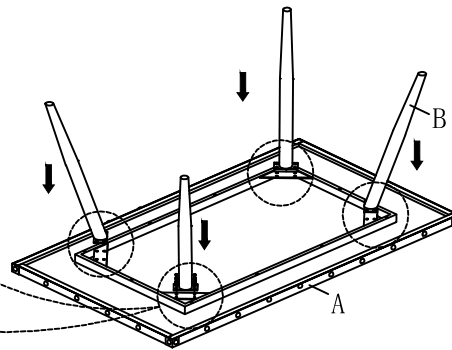
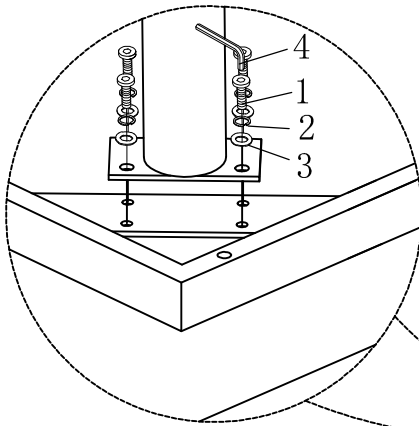


Assembly Instruction

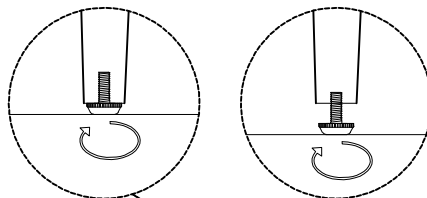
ITEM:5626-70 DINING TABLE

PART LIST				HARDWARE LIST				
A	TOP PANEL		1 PC	1	BOLT		1/4"*5/8"	16PCS
B	LEG		4 PCS	2	LOCK WASHER		1/4"	16PCS
				3	FLAT WASHER		1/4"*16mm	16PCS
				4	ALLEN KEY		4mm	1 PC

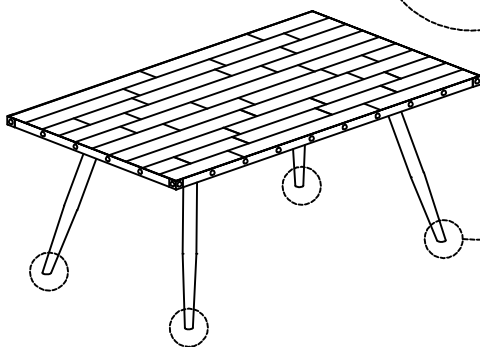
STEP 1



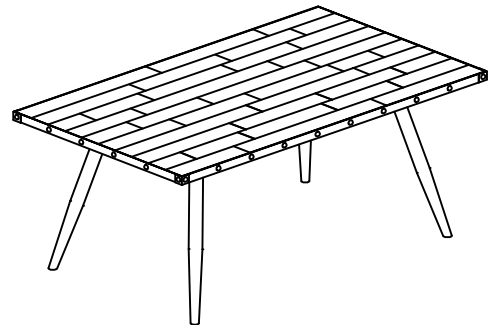
STEP 2



STEP 3



Adjust leveler to balance table on floor



For items use on wooden floor, hard surfaces or carpets, it is recommended to install protective pads under all legs and supports to avoid/prevent from damages/scratches and discoloration.