



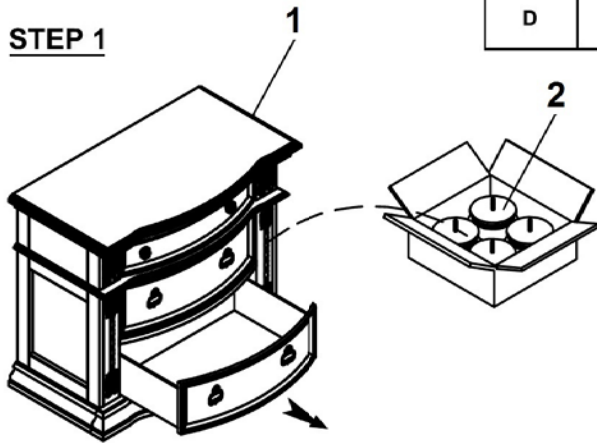
ASSEMBLY INSTRUCTION

ITEM#: 1757/1757SV-4 NIGHT STAND

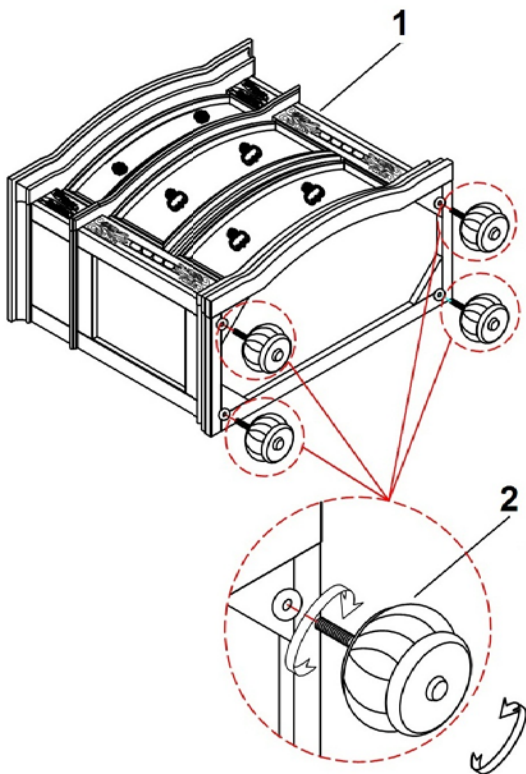
PART LIST		
1	NIGHT STAND	1PC
2	BUN FOOT	4PCS

ANTI-TIPPING HARDWARE PACK			
A		BRACKET	2PCS
B		TIE WRAP	1PC
C		SCREW #8x2" L	1PC
D		SCREW #8x5/8" L	1PC

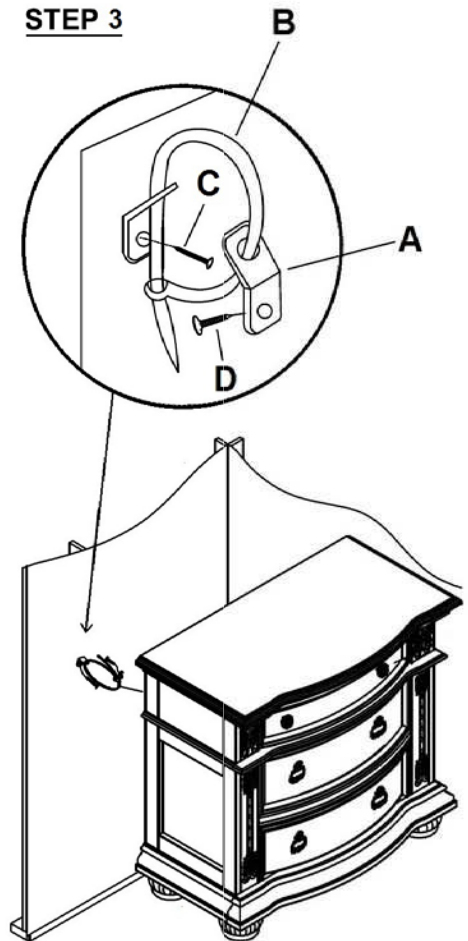
STEP 1



STEP 2



STEP 3



For item use on wooden floor, hard surfaces or carpets, it is recommended to install protective pads under all legs and support to avoid/prevent from damages/scratches and discoloration.