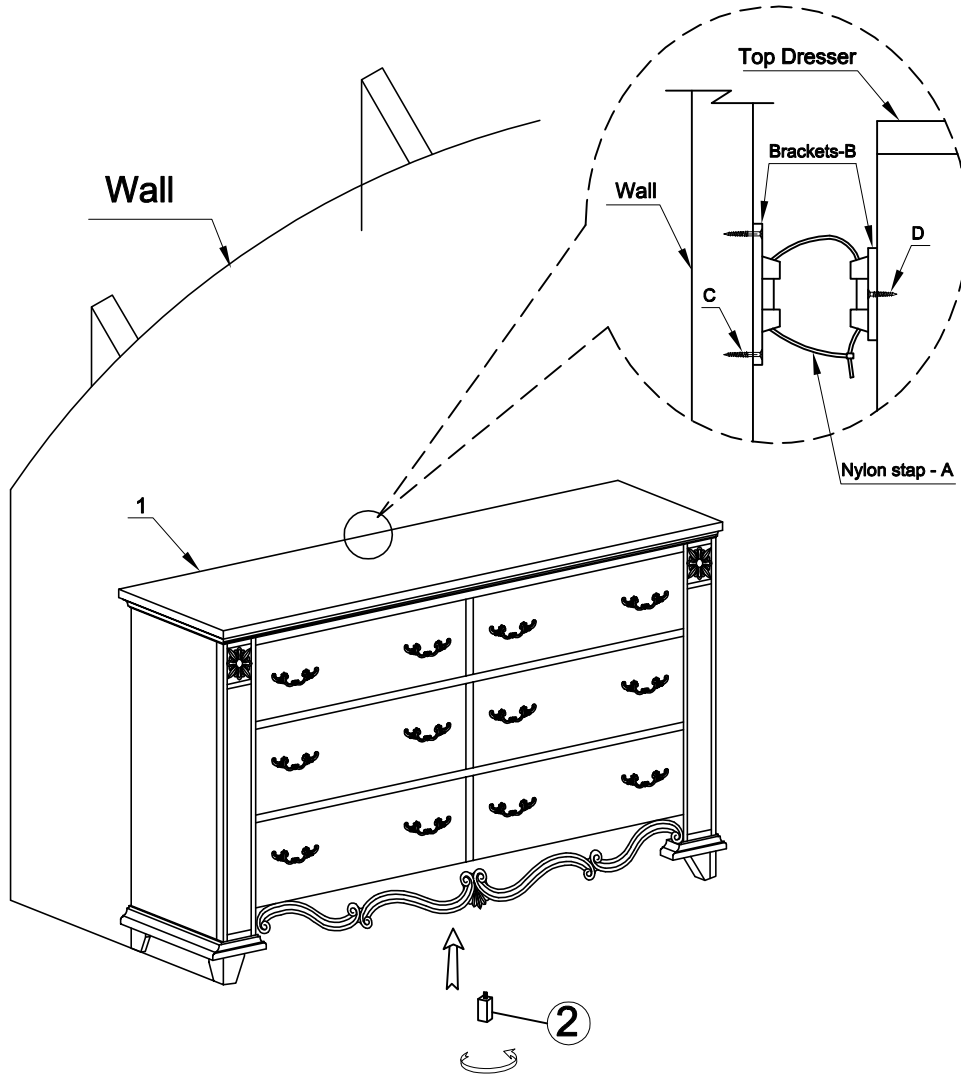



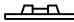
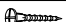



ASSEMBLY INSTRUCTION

Item No.: 1429-5 Dresser

Thank you for purchasing this quality product. Be sure to check all packing material carefully for small Hardware which may have come loose inside the carton during shipment. Identify and count all hardware and compare with the hardware list below.



Anti-Tipping Hardware Pack				Part List		
NO.	DESCRIPTION	FIGURE	Q'TY	NO.	DESCRIPTION	Q'TY
A	Cable Tie		1PC	1	Dresser	1PC
B	Bracket		2PCS	2	Support Leg	1PC
C	Screw Ø4*1.25"L		2PCS			
D	Screw Ø4*7/8"L		2PCS			